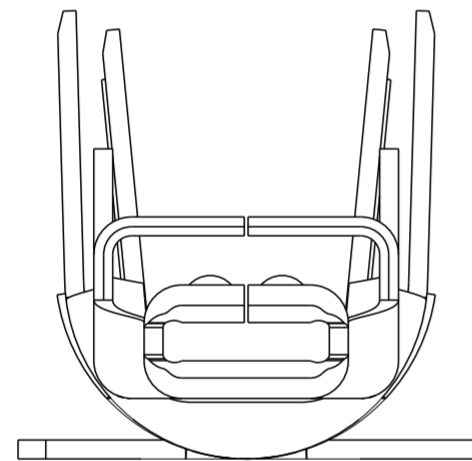
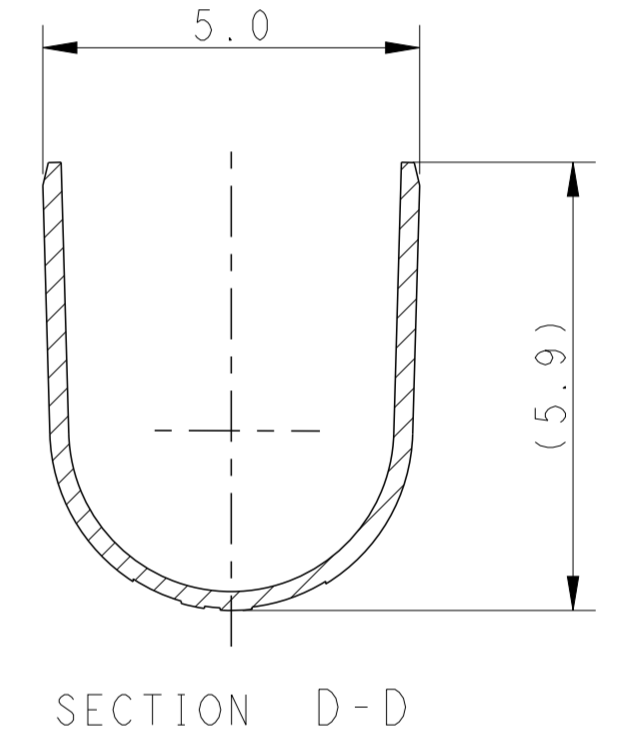
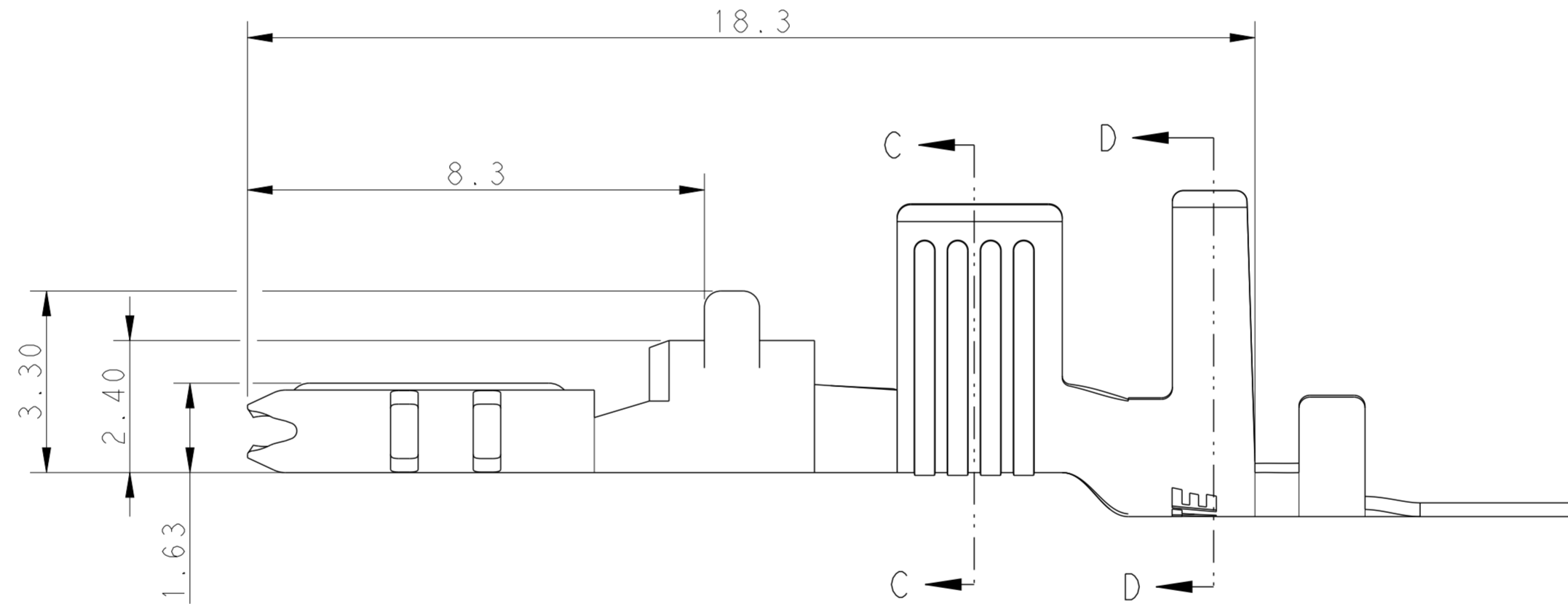
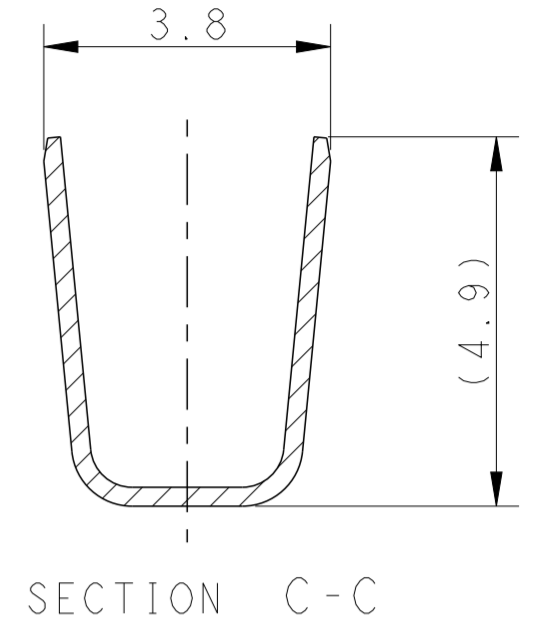
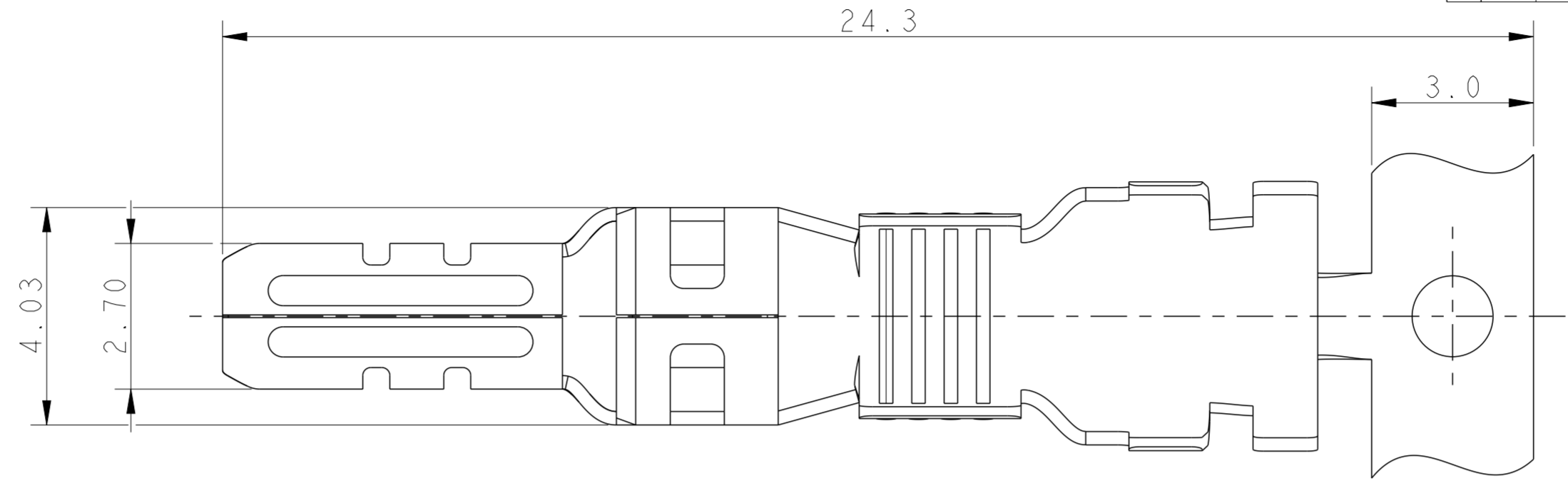
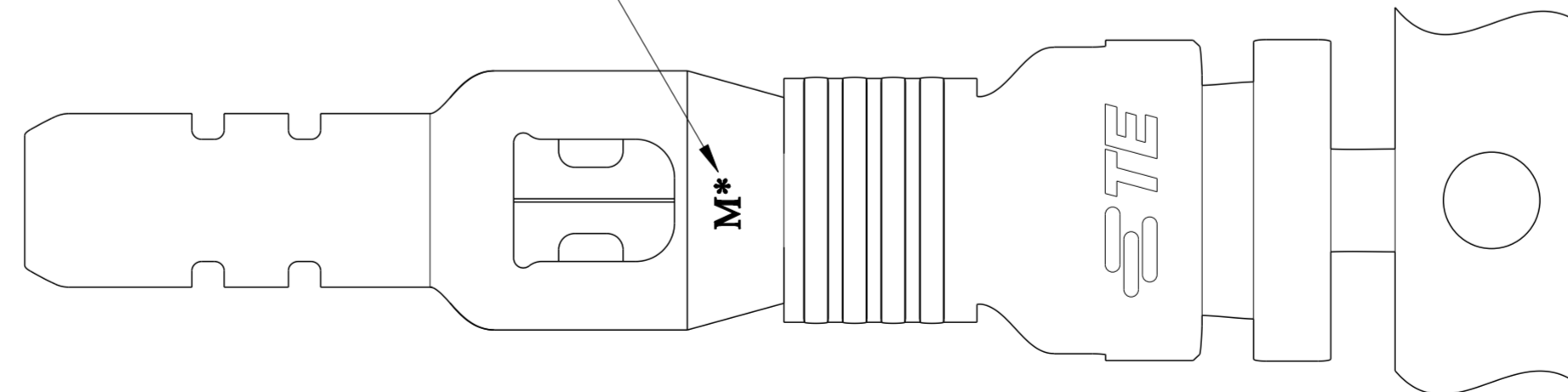


THIS DRAWING IS UNPUBLISHED. RELEASED FOR PUBLICATION 20
 © COPYRIGHT 20 BY - ALL RIGHTS RESERVED.

LOC	DIST	REVISIONS					
ES	00	P	LTR	DESCRIPTION	DATE	DWN	APVD
		B		REVISED PER ECR-14-017481	23FEB2015	NK	GJ



MATERIAL MARK



- 1 MATERIAL: COPPER ALLOY, PRE TIN PLATING
- 2 APPLICABLE WIRE: 12AWG COPPER STRANDED
- 3 APPLICABLE INSULATION DIAMETER: 3.85~4.25mm
- 4 APPLICABLE MATED CAP HOUSING P/N:
 -1971771-/*-1971774-*/*-1971874-*/
 -1971772-/*-1971775-*/*-1971875-*/
 -2232263-/*-2232264-*/*-2232356-*/
 -2232358-/*-2232359-*/*-2232360-*

5 This product has not completed validation testing.

HIGH(150°C)	M0	1971780-2
STANDARD(105°C)	M4	1971780-1
TEMP. RATING	MATERIAL MARK	PART NO

THIS DRAWING IS A CONTROLLED DOCUMENT.		DWN TOMMY WU 11JUL2011	STE TE Connectivity	
DIMENSIONS: mm		CHK HAPYE WU 11JUL2011		
TOLERANCES UNLESS OTHERWISE SPECIFIED:		APVD YUHONG MAO 11JUL2011	NAME	
0 PLC ±0.5		PRODUCT SPEC	TAB CONTACT POWER TRIPLE LOCK	
1 PLC ±0.30		APPLICATION SPEC	-	
2 PLC ±		108-106118	SIZE CAGE CODE DRAWING NO RESTRICTED TO	
3 PLC ±		114-106118	A200779 C-1971780	
4 PLC ±		WEIGHT -	SCALE - SHEET 1 OF 1 REV B	
ANGLES ±		Customer Drawing		
FINISH				