

G2G085-AB02-01

EC centrifugal fan

forward curved, single inlet

with housing (flange)



ebm-papst Mulfingen GmbH & Co. KG

Bachmühle 2 · D-74673 Mulfingen

Phone +49 7938 81-0

Fax +49 7938 81-110

info1@de.ebmpapst.com

www.ebmpapst.com

Limited partnership · Headquarters Mulfingen
County court Stuttgart · HRA 590344

General partner: Elektrobau Mulfingen GmbH · Headquarters Mulfingen
County court Stuttgart · HRB 590142

Nominal data

Type	G2G085-AB02-01	
Motor	M2G045-BF	
Nominal voltage	VDC	24
Nominal voltage range	VDC	18 .. 30
Type of data definition		fa
State		prelim.
Speed	min ⁻¹	2300
Power input	W	12
Min. back pressure	Pa	0
Min. ambient temperature	°C	- 25
Max. ambient temperature	°C	+65

ml = max. load · me = max. efficiency · fa = running at free air · cs = customer specs · cu = customer unit
Subject to alterations



EC centrifugal fan

forward curved, single inlet
with housing (flange)

Technical features

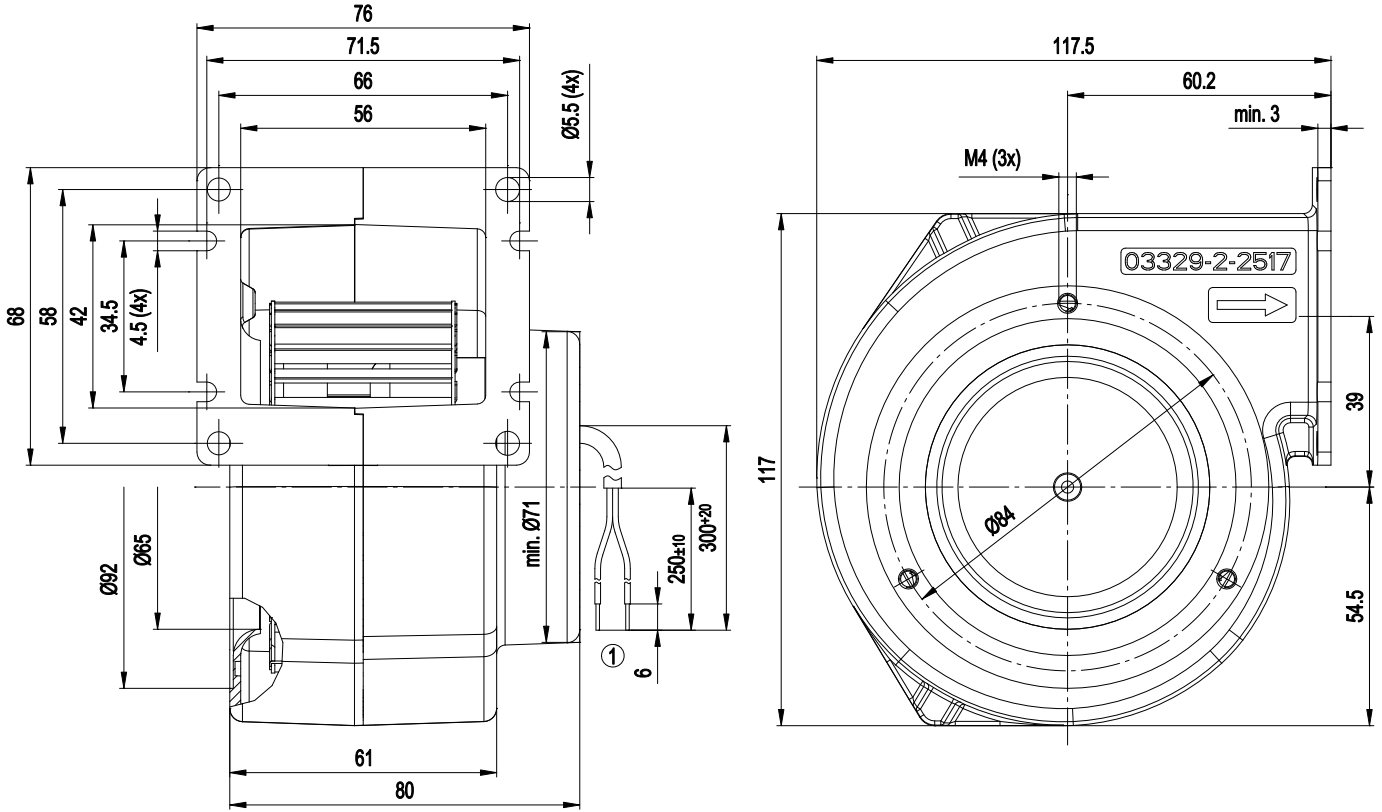
Mass	0.84 kg
Size	85 mm
Surface of rotor	Thick layer passivated
Material of impeller	Sheet steel, hot-galvanised
Housing material	Die-cast aluminium
Direction of rotation	Clockwise, seen on rotor
Type of protection	IP 22
Insulation class	"B"
Max. permissible ambient motor temp. (transp./ storage)	+ 80 °C
Min. permissible ambient motor temp. (transp./storage)	- 40 °C
Mounting position	Any
Condensate discharge holes	None
Operation mode	S1
Motor bearing	Ball bearing
Motor protection	Reverse polarity and locked-rotor protection
Cable exit	Axial
Product conforming to standard	EN 60950-1



EC centrifugal fan

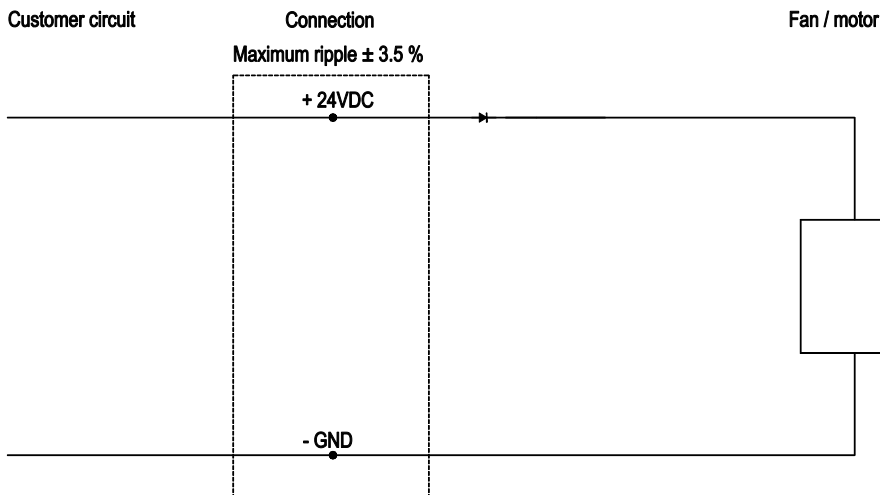
forward curved, single inlet
with housing (flange)

Product drawing

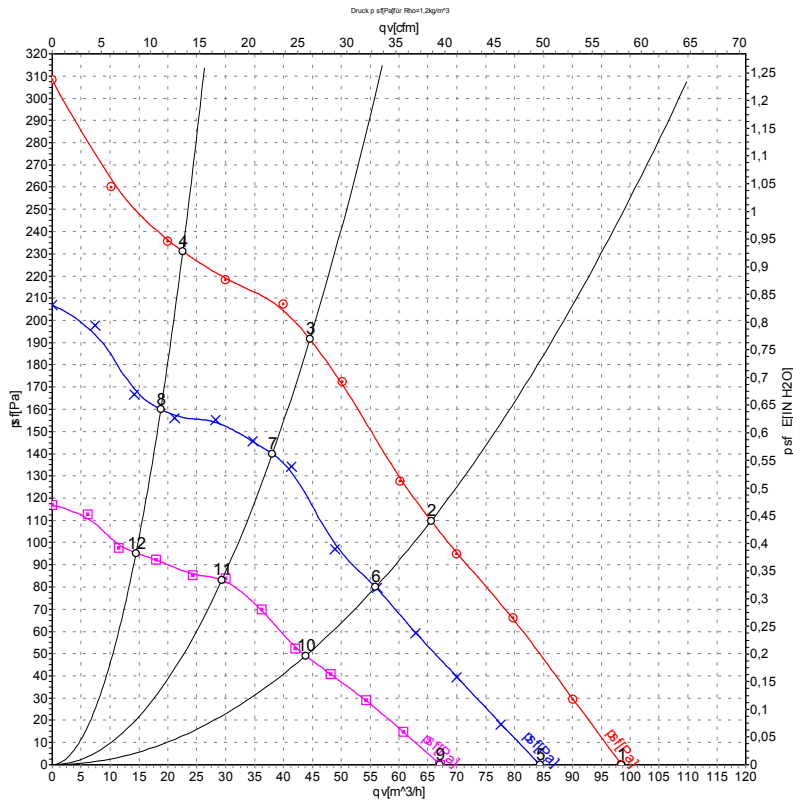


1 Connector housing PVC AWG22, 2x tin-plated lead tips

Connection screen



Charts: Air flow



Measurement: LU-126372
 Measurement: LU-126371
 Measurement: LU-126374

Air performance measured as per ISO 5801 Installation category A. For detailed information on the measuring set-up, please contact ebm-papst. Suction-side noise levels: L_{WA} measured as per ISO 13347 / L_{pA} measured with 1m distance to fan axis. The values given are valid under the measuring conditions mentioned above and may vary according to the actual installation situation. With any deviation from the standard set-up, the specific values have to be checked and reviewed with the unit installed.

Measured values

	U	n	P _e	I	qv	p _{sf}
	V	min ⁻¹	W	A	m ³ /h	Pa
1	30	2910	19	0.69	100	0
2	30	3355	15	0.53	65	110
3	30	3655	12	0.43	45	192
4	30	3985	10.0	0.35	25	231
5	24	2520	12	0.52	85	0
6	24	2875	9.0	0.39	55	80
7	24	3105	7.5	0.32	40	140
8	24	3320	6.3	0.27	20	160
9	18	2040	6.0	0.35	65	0
10	18	2280	4.7	0.27	45	49
11	18	2460	3.8	0.22	30	84
12	18	2580	3.2	0.20	15	95

