

Part number:  
10056098-XYZABCILF

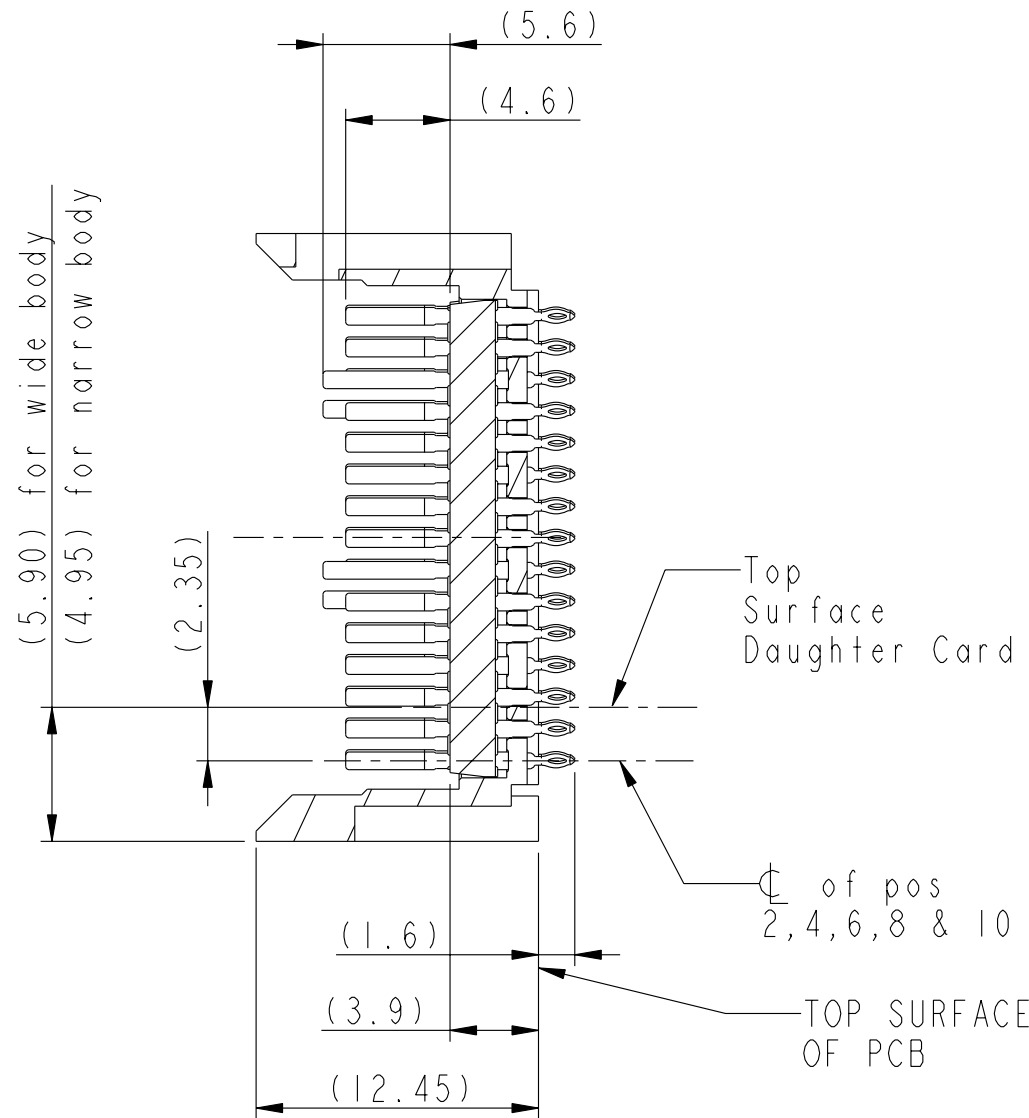
X = PLATING  
1=TELCORDIA CO (see note sheet 5)  
5=TELCORDIA UE

YZ = HOUSING TYPE  
01 = 2 wall narrow body  
04 = 4 wall narrow body  
05 = 2 wall wide body (STANDARD VERSION)  
08 = 4 wall wide body

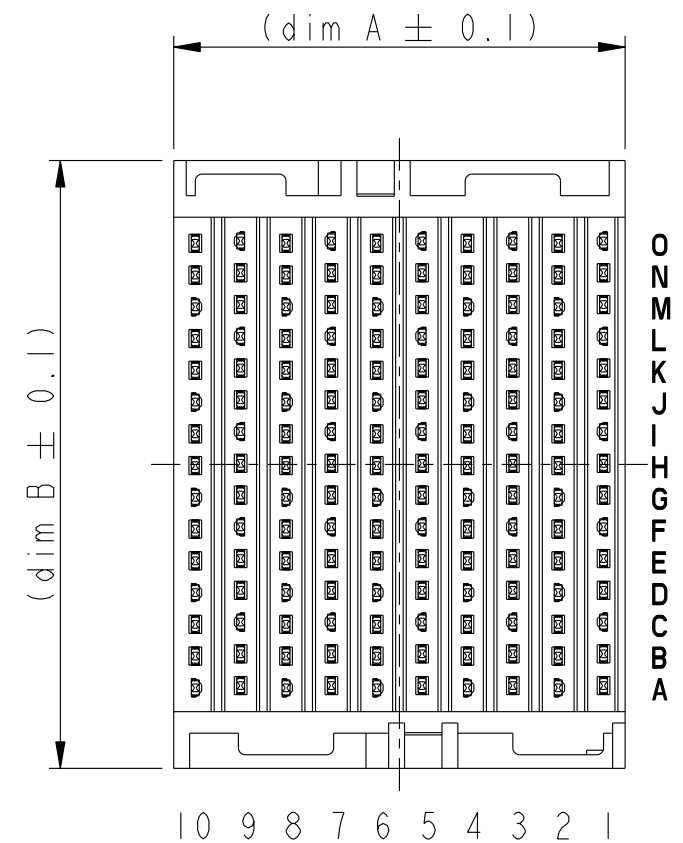
ABC = PIN LAYOUT  
001 = standard layout (no detect pin)  
xxx = other versions see sheet 2

LF = Lead Free  
LF = Lead free product (see note 8 sheet 5)  
no suffix = Non lead free: available upon special request

VIEWS WITHOUT PROTECTION COVER



SECTION C-C



For housing types and dim A and B see sheet 4

2 WALL WIDE BODY VERSION AS SHOWN

rev	ecn no	dr	date
A	H06-0057	EDB	2006-04-10
B	H06-0109	EDB	2006-06-23
C	S06-0376	MCH	2006-11-14
D	S07-0063	MCH	2007-03-04
E	S07-0292	MCH	2007-08-28
-	-	-	-
-	-	-	-

www.fciconnect.com			surface ISO 1302	tolerance std ISO 406 ISO 1101	projection mm	TOLERANCES UNLESS OTHERWISE SPECIFIED	
Dr	P. K. Ramesh	2005-09-27	ANGULAR	LINEAR	0.X	±	size A3
Eng	R. de Bliedk	2005-09-29			0.XX	±	
Chr	M. Cheong	2007-08-28	0°	±°	0.XXX	±	ECN S07-0292
Appr	Joey Ng	2007-08-28	Product family		AirMax VS	Spec ref RELEASE	
FCi			Title		AirMax VS VERTICAL HEADER	Rev.	
			Part no		5pair, 150Pos, 2mm, 10IMLA	E	
			Catalog no		-	CUSTOMER sheet 1 of 5	

A

A

\* Detection pin of 3.9mm possible on standard positions H5.  
 For other detection pin and options please consult FCI.

Partnumber \ Pin layout	5.6mm Longpins (typ gnd)	3.9mm * Short pin (typ detect)	4.6mm Otherpins (typ sign)
10056098-XYZ0011(LF)	L1,M2,L3,M4,L5,M6,L7,M8,L9,M10 F1,G2,F3,G4,F5,G6,F7,G8,F9,G10	-	all other positions
10056098-XYZ0031(LF)	L1,M2,L3,M4,L5,M6,L7,M8,L9,M10 F1,G2,F3,G4,F5,G6,F7,G8,F9,G10	H5	all other positions

B

B

C

C

D

D

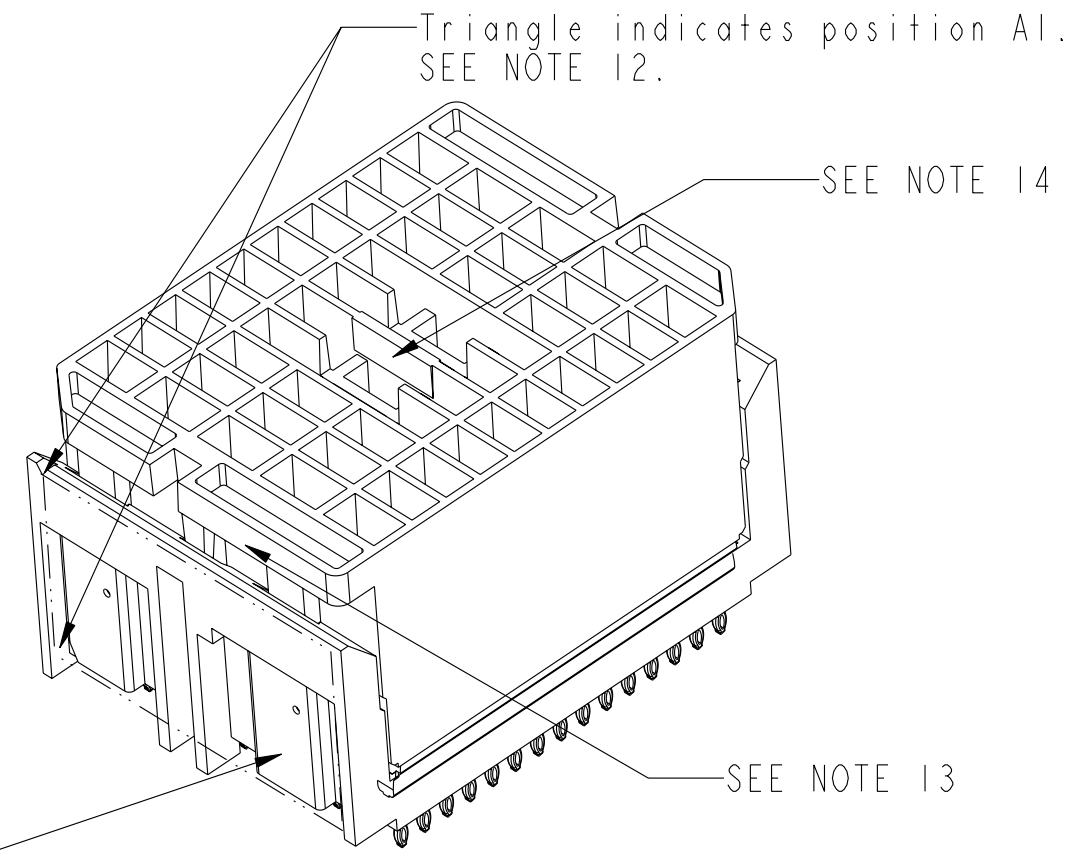
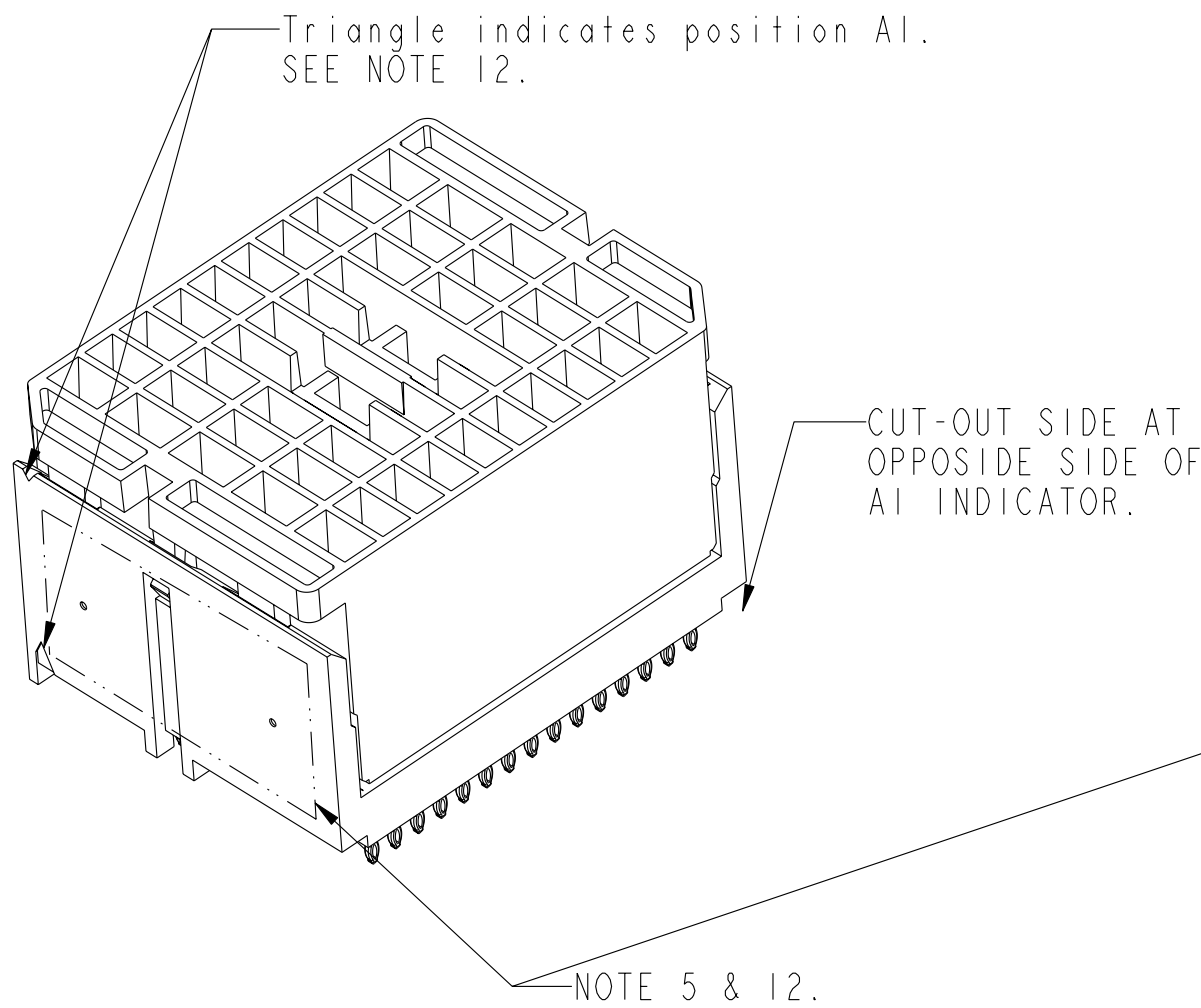
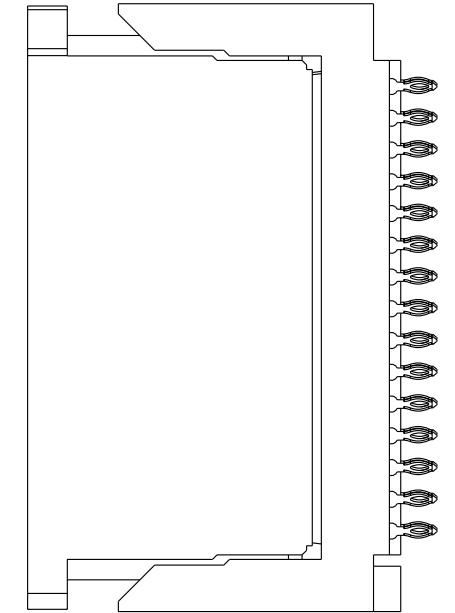
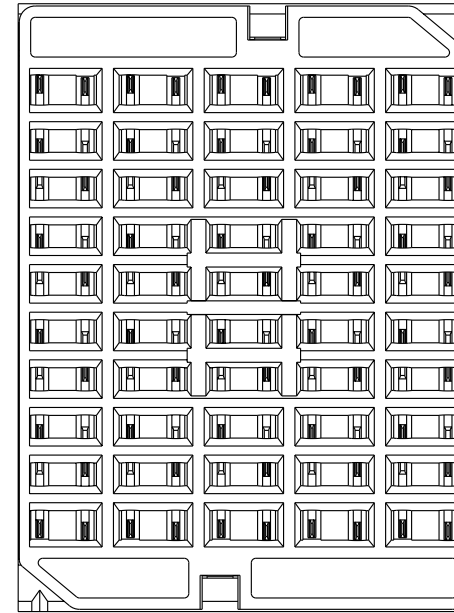
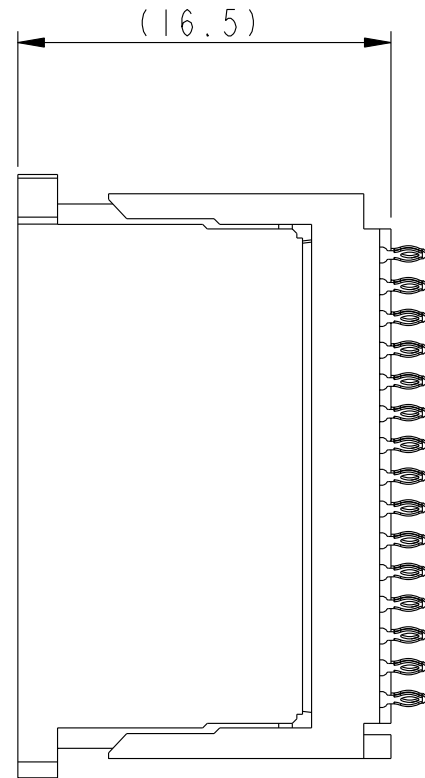
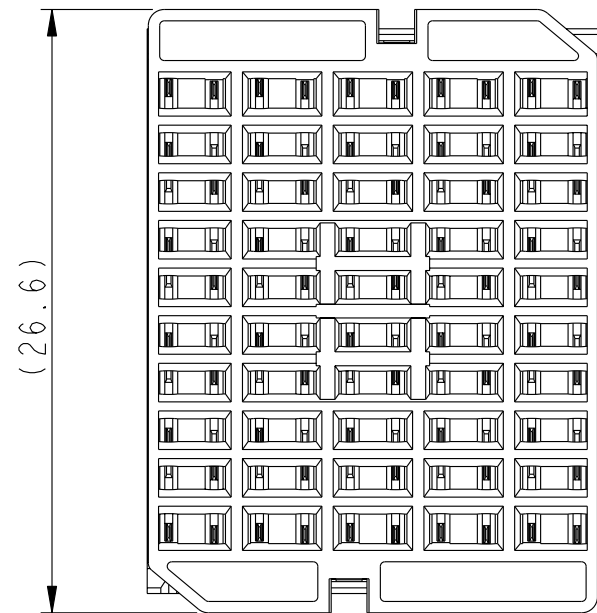


Copyright FCI.

	title AirMax VS VERTICAL HEADER 5pair, 150Pos, 2mm, 10IMLA	dwg no 10056098	Rev. E
	catalog no -	CUSTOMER	sheet 2 of 5

NARROW BODY

WIDE BODY



Copyright FCI.

	Title AirMax VS VERTICAL HEADER 5pair, 150Pos, 2mm, 10IMLA	dwg no 10056098	Rev. E
	catalog no -	CUSTOMER	sheet 3 of 5

1

2

3

4

NARROW BODY

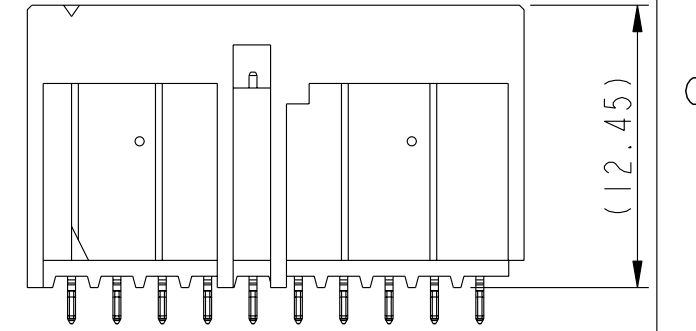
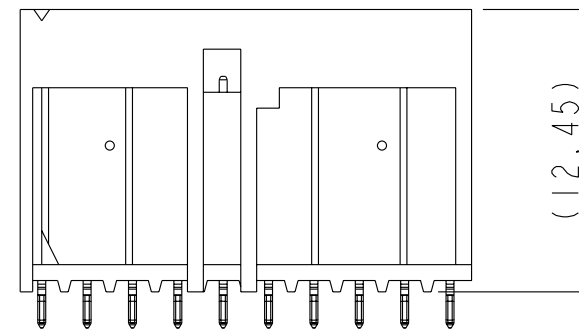
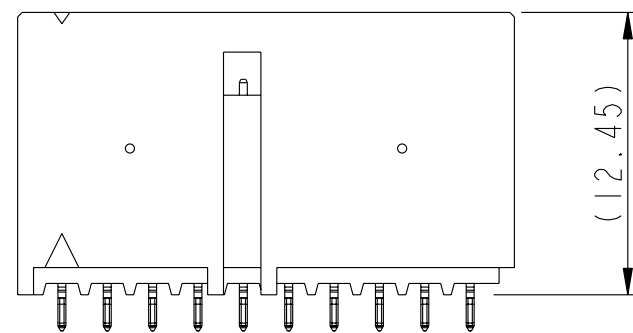
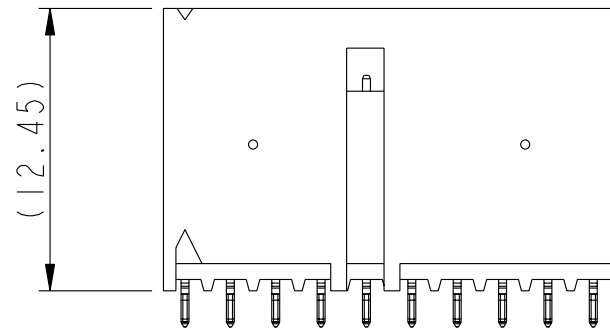
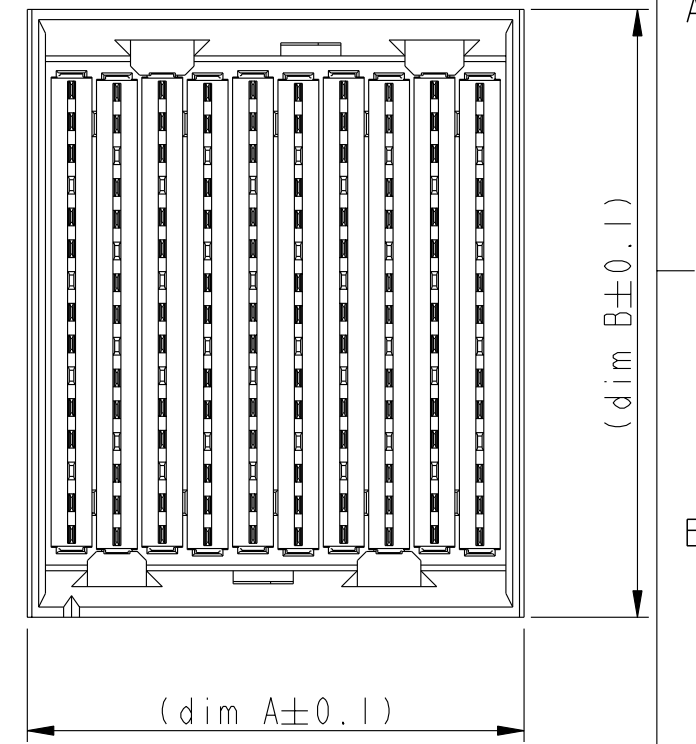
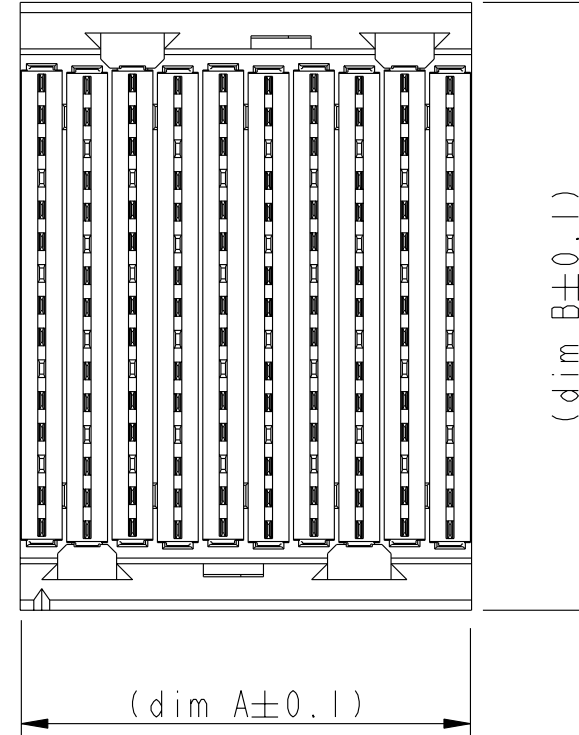
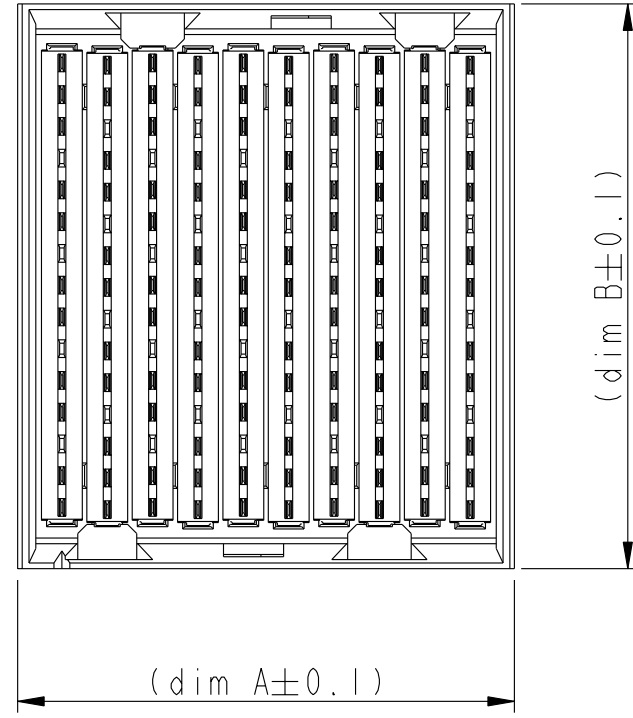
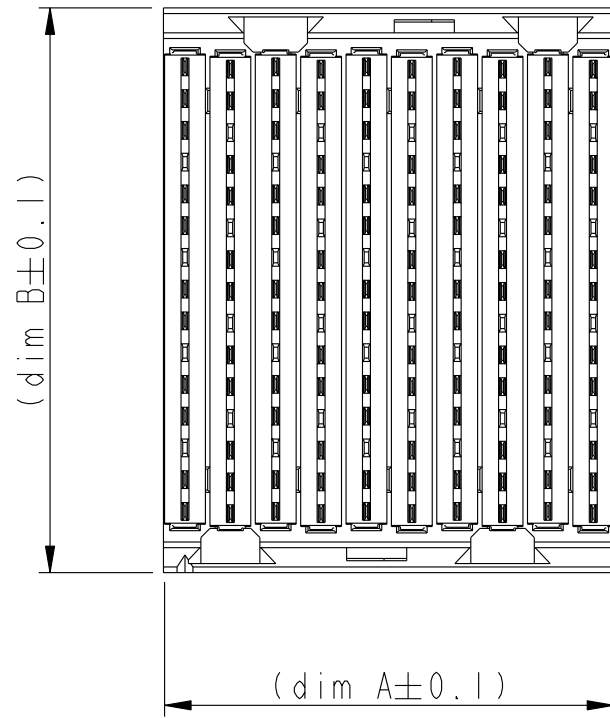
WIDE BODY

10056098-X01ABC1

10056098-X04ABC1

10056098-X05ABC1

10056098-X08ABC1



PN / dim	A	B
10056098-X01ABC1(LF)	19.9	24.9
10056098-X04ABC1(LF)	21.9	24.9
10056098-X05ABC1(LF)	19.9	26.8
10056098-X08ABC1(LF)	21.9	26.8

	title AirMax VS VERTICAL HEADER 5pair, 150Pos, 2mm, 10IMLA	dwg no 10056098	Rev. E
	catalog no -	CUSTOMER	sheet 4 of 5

1

2

3



A

B

C

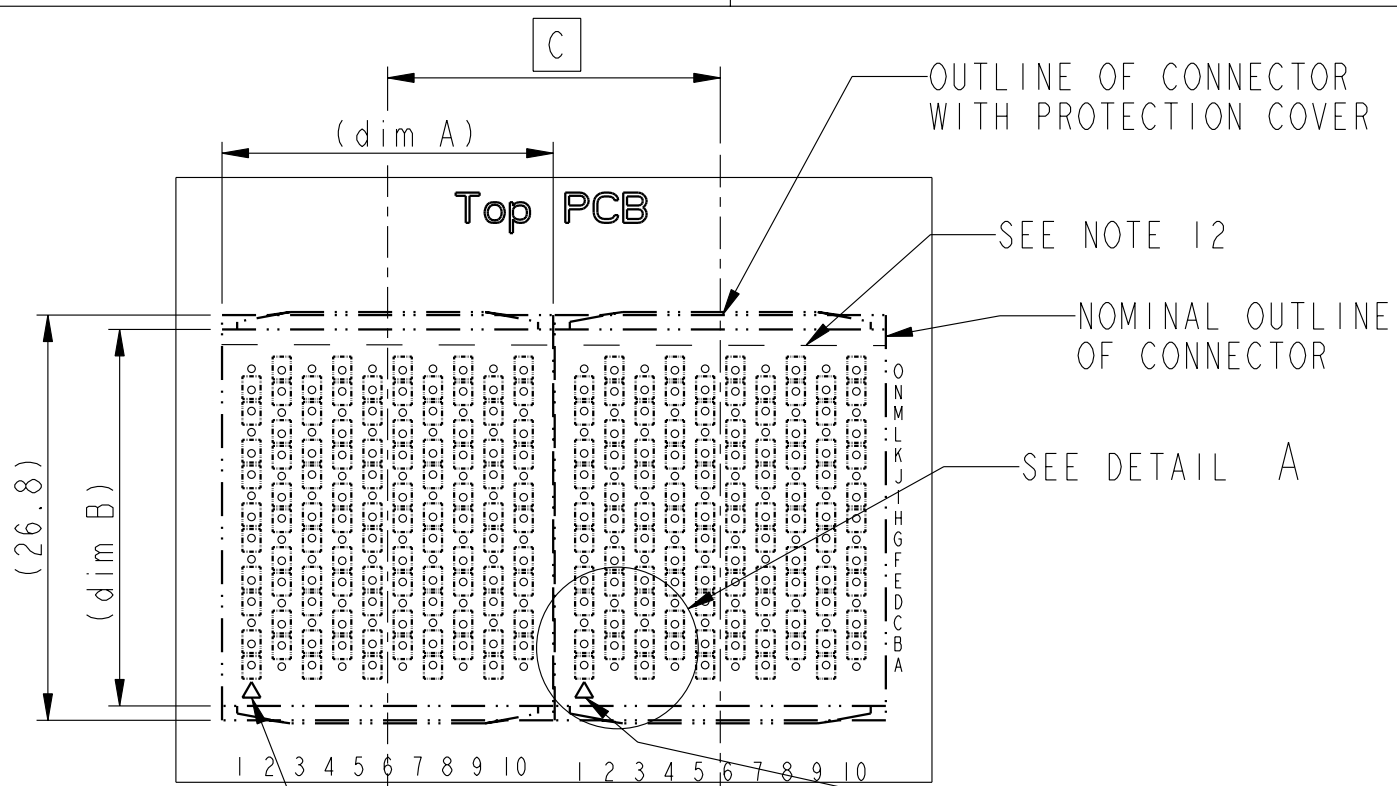
D

A

B

C

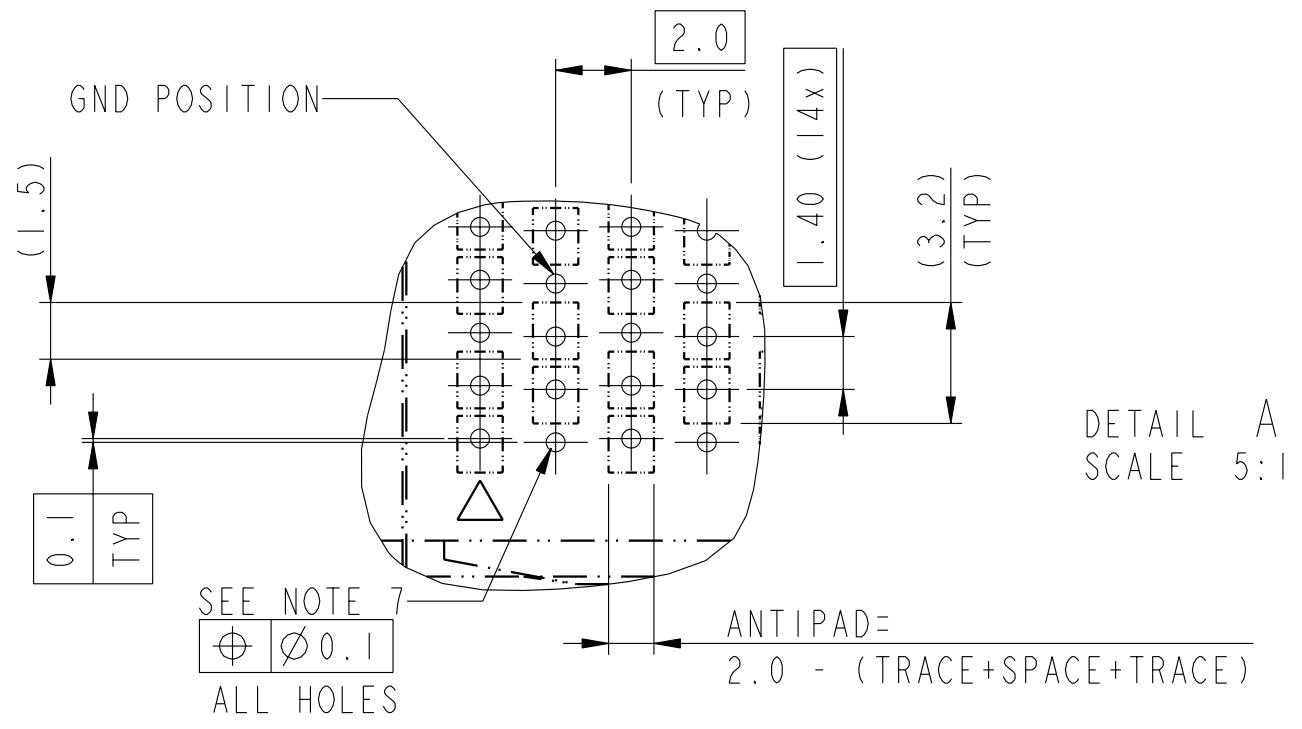
D



RECOMMENDED PCB LAYOUT FOR DIFFERENTIAL APPLICATIONS COMPONENT SIDE (TWO ADJECENT FOOTPRINTS SHOWN).

Triangle indicates position A1 SEE NOTE 12

PN \ dim	A	B	C
10056098-X01ABC1(LF)	19.9	24.9	20
10056098-X04ABC1(LF)	21.9	24.9	22
10056098-X05ABC1(LF)	19.9	26.8	20
10056098-X08ABC1(LF)	21.9	26.8	22



NOTES:

- CONNECTOR MATERIALS:  
HOUSING : HIGH TEMP THERMOPLASTIC, NATURAL, UL94V-0  
PROTECTION COVER : HIGH TEMP THERMOPLASTIC, BLACK, UL94V-0  
IMLA PLASTIC: HIGH TEMP THERMOPLASTIC, BLACK UL94V-0  
CONTACT: COPPER ALLOY
- CONTACT PLATING:  
SEPARABLE INTERFACE: PERFORMANCE-BASED PLATING, QUALIFIED TO MEET THE REQUIREMENTS OF FCI PRODUCT SPECIFICATION GS-12-239, INCLUDING TELCORDIA GR-1217-CORE (NOV 1995) TEST SEQUENCE.  
PRESS-FIT TAILS: TIN-LEAD (NON LEAD FREE) OR TIN OVER NICKEL (LEAD FREE)
- PRODUCT SPECIFICATION: GS-12-239.
- APPLICATION SPECIFICATION: GS-20-035. FLATROCK INSERTION INTO PCB BY PUSHING ON TOP OF SURFACE PROTECTION COVER
- PRODUCT MARKING, (PARTNUMBER & LOTCODE).
- PROTECTION COVER MUST BE REMOVED BEFORE MATING WITH RECEPTACLE CONNECTOR
- SEE CUSTOMER DRAWING 10045979 FOR INFORMATION ON PCB HOLE DIAMETER AND PLATING OPTIONS.
- LEAD FREE PRODUCT MEETS THE EUROPEAN UNION DIRECTIVE & OTHER COUNTRY REGULATIONS AS DESCRIBED IN GS-22-008.
- THE HOUSING SHOULD WITHSTAND EXPOSURE TO 260°C PEAK TEMPERATURE FOR 40 SECONDS IN A CONVECTION, INFRA-RED OR VAPOR PHASE REFLOW OVEN.
- PACKAGE PER GS-14-1086 AND GS-14-920 LEAD FREE LABELING SPEC.
- THERE IS NO GROUND BUSSING WITHIN THE CONNECTOR SYSTEM.
- IT IS RECOMMENDED TO PUT THIS VISIBLE LINE AND THE A1 INDICATION (TRIANGLE) ON THE PCB TO INDICATE PROPER ORIENTATION OTHER VISIBLE POLARIZATION MARKS ARE A1 INDICATOR AND PRINTING SIDE. (SEE SHEET 3)
- GRIPPING FEATURE TO REMOVE PROTECTION COVER BY FINGERS.
- GRIPPING FEATURE TO REMOVE PROTECTION COVER BY STANDARD PLIERS.



Copyright FCI.

FCI	title	AirMax VS VERTICAL HEADER	dwg no	10056098	Rev.	E
	catalog no	5pair, 150Pos, 2mm, 10IMLA	-	CUSTOMER	sheet 5 of 5	