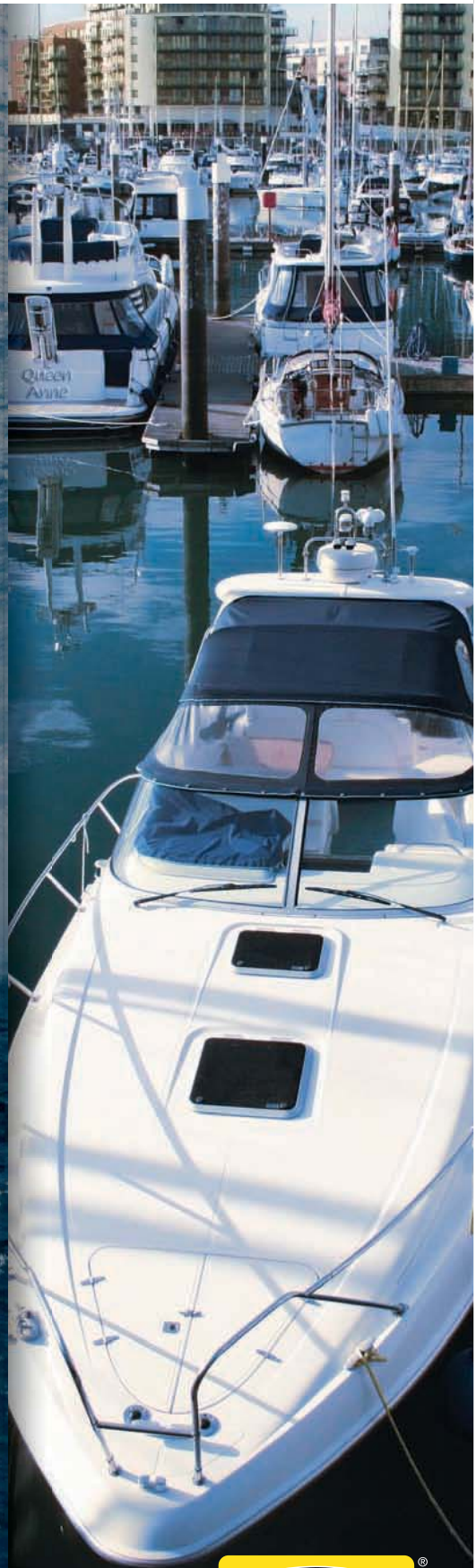
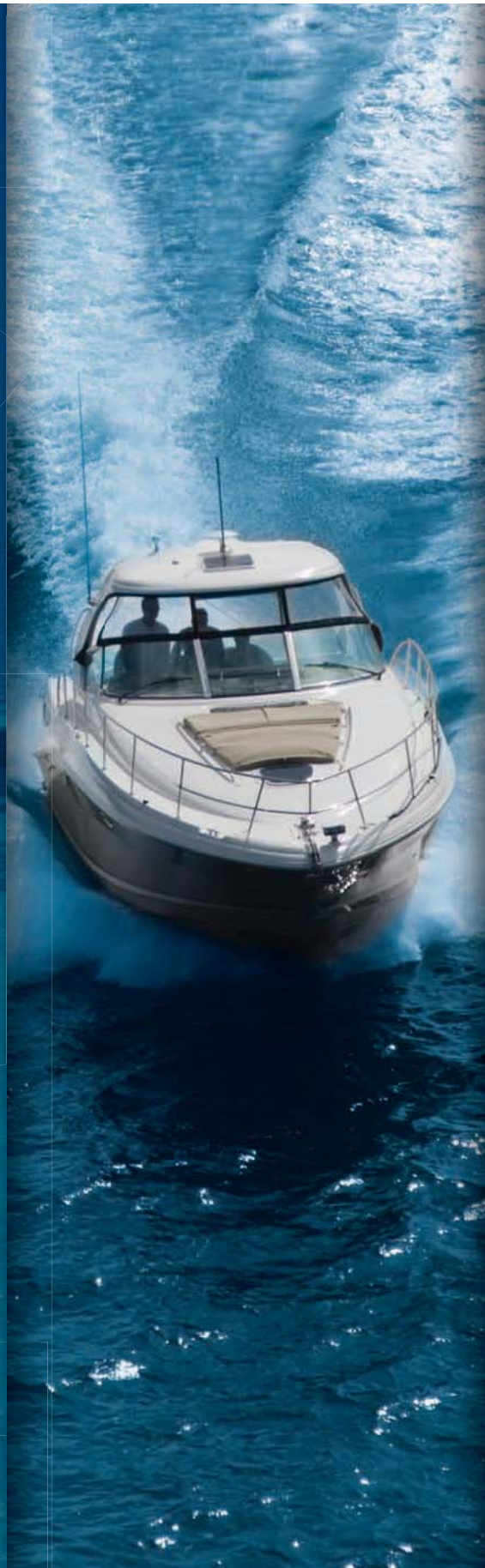


# Hubbell Marine Products



[www.hubbell-marine.com](http://www.hubbell-marine.com)















# New Marine Products



**30A LED Cable Sets** . . . page 7  
**50A LED Cable Sets** . . . page 14

**30 amp and 50 amp Cable Sets with High Intensity LED Indicator Lights**  
 Hubbell now offers 30 amp and 50 amp cable sets with LED indicator lights, in both Yellow and White. The 30 amp cable sets have a bright, durable, green LED that indicates power is on. The high-intensity green LED is visible - even in bright sunlight, and is enclosed in Hubbell's fully-molded design for superior waterproofing and exceptional durability. The 50 amp cable sets are available with TWO high-intensity LEDs. The bright green LED indicates "power-on" as in our 30 amp cable sets while the red LED, when lit, indicates there is an incorrect wiring condition at the power source that requires immediate attention. Now, you can have the very latest in (50 amp) marine cable set technology - from Hubbell - the quality leader in Marine Electrical Shore Power Products.



**100A 480V Pin and Sleeve** . . . .  
 . . . . . pages 18 & 19

**100 amp 3-phase 277/480 Volt Pin and Sleeve Offering**  
 Hubbell has added a line of 4 Pole, 5 Wire 100 amp 277/480 volt Pin and Sleeve ship-to-shore devices. Made of yellow Zytel® super tough nylon, the UV-stabilized, high-visibility housings provide increased safety and abuse-resistance and are fully watertight when properly installed and mated - providing years of reliable service.



**YQ100PLUS** . . . . . page 24

**YQ100PLUS Adapter**  
 Hubbell Marine's newly redesigned 100 amp "intelligent" adapter can now safely power a boat's 100 amp 125/250 volt AC shore power cable set from two 50 amp 125/250 volt AC receptacles at dockside, achieving 100 amp 250 volts - OR - from a single 50 amp 125/250 volt AC receptacle, acting as a single adapter, and achieving 50 amp 125/250 volts, when only one such outlet is available. We have also managed to build all of this latest technology into a much smaller, NEMA 4X watertight enclosure with LED indicator lights that check for polarity and proper wiring conditions. The newly redesigned, smaller YQ100PLUS allows for safe power from dual 50 amp 125/250 volt receptacles or a single 50 amp 125/250 volt receptacle - another first from Hubbell - the quality leader in Marine Electrical Shore Power Products.



**HBLTVSS** . . . . . page 28

**TV-Only Ship-to-Shore Inlet**  
 Hubbell now offers a TV-Only ship-to-shore inlet for boats that no longer require the telephone connection. With the rising use of cell phones, etc. Hubbell now makes an inlet with only the TV connection, allowing the boat manufacturer to eliminate the cost of the internal phone wiring infrastructure that is often times no longer needed. The TV-Only inlet is available in traditional stainless steel styling to match the stainless steel shore power inlets on board.

*Zytel® is a registered trademark of E.I. DuPont.*





# New Marine Products



## 200 amp 600 volt AC Pin and Sleeve Ship-to-Shore Devices

Another Hubbell Marine first- Hubbell Marine is proud to offer the ONLY 200 amp rated, marinated, UL Listed 200 amp ship-to-shore system. As the size of the mega-yachts continue to grow, along with the ever-increasing demand for more power on board, Hubbell Marine continues to keep pace by offering a full line of 200 amp fittings, back boxes and accessories that are NEMA 4X rated for superior water resistance and is fully interchangeable with UL1686 configured and listed devices as Crouse-Hinds® Arkrite® or Appleton® Powertite® systems when installed in accordance with instructions furnished with each device.



**200A Pin and Sleeve Ship-to-Shore** . . . . . pages 20 & 21

## Tamper Resistant and Weather Resistant Duplex Receptacles TR and WR/TR Rated

Hubbell Marine now offers a wide variety of receptacles and switches for indoor and outdoor applications. Available in Style Line® Decorator-type and standard duplex type, these new receptacles comply with new tamper-resistant (TR) requirements and with new weather and tamper-resistant requirements (WR & TR) as defined by the 2008 National Electrical Code Article 406.8 - for use in damp and wet locations. See page iv for additional technical information.



**TR and WR/TR Receptacles** . . . . . page 38

## Hubbell now offers the ability to put 2 or 3 Communication Devices in a single, Style Line® plate

Any combination of phone (6-position jack), cable TV (F-type connector) and Category 5e modular data jacks can be assembled onto a 2-port or 3-port frame—each sold individually so you can customize them as needed. Or the highly popular phone and cable TV combination is available with the frame and matching wallplate under a single catalog number, in all the popular colors. Finally—a single communications plate that can take the place of 2 or 3 plates—available from a company you can trust for superior quality.

Hubbell's Marine communication frames and connectors deliver high quality data and multimedia transmission to the point of connection. Hubbell's 2 and 3-port Style Line® frames and leading edge connections allow for customized configurations. Install Hubbell's Marine communication offering and be assured a reliable connection.



**Communication Devices** . . . . . page 41

## Marine Grade Outlet Box While-In-Use Weatherproof Covers

Hubbell Marine now offers in-use marine grade outlet box covers that can accommodate Duplex, GFCI, Toggle Switch and Single Receptacles. These outlet box covers can be mounted horizontally or vertically and are made of a rugged, gray polycarbonate compound. UL listed and NEMA 3R rated, these covers meet the new National Electrical Code requirements for while-in-use outdoor power distribution and provide maximum in-use protection.



**While-In-Use Weatherproof Covers** . . . . . page 42





Marine Products

**2008 NEC Receptacle Code Compliance and General Information**



**New  
Tamper-Resistant  
Duplex Receptacles**

Comply with NEC 406.11  
Comply with NEC 210.52

All 125V, 15A and 20A receptacles shall be listed tamper-resistant receptacles per NEC Article 406.11, "Tamper-Resistant Receptacles in Dwelling Units".

**Tamper Resistant**



**New  
Weather-Resistant  
Duplex Receptacles**

Comply with NEC 406.8(A)

All 125V and 250V, 15A and 20A receptacles shall be listed as weather resistant type per NEC Article 406.8, "Receptacles in Damp and Wet Locations".

**Weather Resistant**



← These symbols appear in this catalog for easy identification. →

**What Do These Code Requirements Mean?**

**Tamper-Resistant (TR)** receptacles incorporate internal mechanisms to limit access to energized internal components.

This new TR requirement is mandatory for use in dwelling unit outlets. There are also many other applications where the use of TR receptacles can provide an additional level of electrical safety.

**Weather-Resistant (WR)** receptacles installed outdoors and in other wet and damp locations are subject to more demanding temperature variations, direct sunlight and unusual mechanical abuse than those in a typical dry environment. Hubbell's WR receptacles are designed to withstand these environments and conditions.



Interior



Exterior



Washdown Areas



Marinas/Docks

**Industrial and Commercial Wiring Devices and Systems**

**Residential Products**

**Kellems Wire Management Products**

**Marine Products**



**National Electrical Manufacturers Association**

NEMA promotes the competitiveness of its member companies by providing a forum for the development of technical standards that are in the best interests of the industry and the users of its products.



**National Association of Electrical Distributors**

Since 1908, NAED has served as the trade association for the electrical distribution industry. To be an NAED associate member, your company must be a manufacturer or value-added reseller.



**Restriction of Hazardous Substances**

The RoHS Directive stands for "the restriction of the use of certain hazardous substances in electrical and electronic equipment".



**International Organization for Standardization**

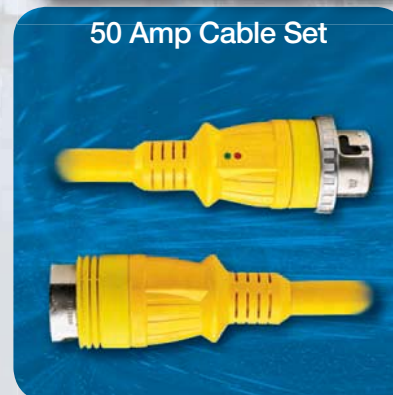
ISO (International Organization for Standardization) is the world's largest developer and publisher of International Standards.





# Table of Contents

Product	Page
<b>Ship-to-Shore Selection Chart</b> . . . . .	2
<b>30A, 125V Cable Set – Features and Benefits</b> . . . . .	4
<b>Ship-to-Shore Twist-Lock® Devices</b>	
30A, 125V . . . . .	5
30A, 125V AC Cable Sets and Bulk Cable . . . . .	6
30A, Cable Set with High Intensity LED “Power-On” Indicator . . . . .	7
50A, 125V . . . . .	10
50A, 125/250V . . . . .	12
50A, Cable Set with Two High Intensity LEDs . . . . .	14
<b>Ship-to-Shore Pin and Sleeve Devices</b>	
100A, 125/250V and 3ØY 120/208V . . . . .	15
100A, 125/250V . . . . .	17
100A 3ØY 120/208V and 100A 3ØY 277/480V . . . . .	18
200A, 600V AC/250V DC, 50-400 Hertz . . . . .	20
<b>Internationally Rated Twist-Lock® Devices</b> . . . . .	22
<b>Internationally Rated Pin and Sleeve Devices</b> . . . . .	23
<b>Adapters</b>	
Intelligent Y Adapters . . . . .	24
Adapter Selection Guide . . . . .	25
Molded Straight Adapters . . . . .	26
Molded Y Adapters . . . . .	27
<b>Telephone and Cable TV Devices</b> . . . . .	28
<b>30A, 28V DC Rated</b> . . . . .	30
<b>12V DC Rated Switches</b> . . . . .	31
<b>Twist-Lock and Straight Blade Devices</b>	
15A, 125V AC Twist-Lock® Devices . . . . .	32
15A, 125V AC Straight Blade Devices . . . . .	33
20A, 125V Twist-Lock® Devices . . . . .	34
20A, 125V AC Straight Blade Devices . . . . .	35
<b>Ground Fault Devices</b>	
Portable Ground Fault Circuit Interrupters and Testers . . . . .	36
GFCI and Surge Protection Receptacles . . . . .	37
<b>Inside the Boat</b>	
Receptacles . . . . .	38
Switches and Weatherproof Switch Plates . . . . .	39
Wallplates . . . . .	40
Communication Frames and Connectors . . . . .	41
<b>Boatyard Accessory Items</b>	
Marine Grade Outlet Box Hoods . . . . .	42
Marine Grade Lift Covers . . . . .	43
Marine Grade Dockside Boxes and Covers . . . . .	44
Lighting and Lighting Fixtures . . . . .	45
<b>Electrical Standards</b>	
Codes and Specifications . . . . .	46
<b>Catalog Number Index</b> . . . . .	47
<b>RoHS Product Index</b> . . . . .	49







# Marine Products Ship-to-Shore Selection Chart - Boatside

**30A  
125V AC  
2 Pole  
3 Wire**

Pages 5-9



**50A  
125V AC  
2 Pole  
3 Wire**

Pages 10-11, 14



**50A  
125/250V AC  
3 Pole  
4 Wire**

Pages 12-14



**100A  
125/250V AC  
3 Pole  
4 Wire**

Pages 15-17



**100A  
3ØY  
4 Pole  
5 Wire**

Pages 15, 18-19  
120/208V AC  
277/480V AC



**200A  
600V AC/250V DC  
4 Pole  
5 Wire**

Pages 20-21



**Portable  
Telephone  
Cable  
TV**

Pages 26-27







# Marine Products

## Ship-to-Shore Selection Chart - Dockside



YC310250 - 280' (85.3m) Yellow cable only.  
WC310280 - 280' (85.3m) White cable only.

HBL61CM08 & HBL61CM08LED - 50' (15.2m)  
HBL61CM05 & HBL61CM05LED - 35' (10.7m)  
HBL61CM03 & HBL61CM03LED - 25' (7.6m)  
HBL61CM08W & HBL61CM08WLED - 50' (15.2m)  
HBL61CM03W & HBL61CM03WLED - 25' (7.6m)



HBL60CM31  
HBL60CM31W



HBL26CM11



HBL26CM10



HBL74CM25WOA  
HBL74CM25WOAW



YC306250 - 250' (76.2m) Yellow cable only.

HBL61CM53 & HBL61CM53LED - 50' (15.2m)  
HBL61CM53W & HBL61CM53WLED - 50' (15.2m)  
HBL61CM43 & HBL61CM43LED - 25' (7.6m)



HBL77CM16  
HBL77CM16W



HBL63CM61



HBL63CM70



HBL77CM74WO



YC406250 - 250' (76.2m) Yellow cable only.

HBL61CM52 & HBL61CM52LED - 50' (15.2m)  
HBL61CM42 & HBL61CM42LED - 25' (7.6m)  
HBL61CM52W & HBL61CM52WLED - 50' (15.2m)  
HBL61CM42W & HBL61CM42WLED - 25' (7.6m)



HBL77CM16  
HBL77CM16W



HBL63CM65



HBL63CM69



HBL77CM74WO



CS1004 - 100' (30.4m) 4-Wire  
CS754 - 75' (22.8m) 4-Wire  
CS100IT4 - 100' (30.4m) 3-Wire  
CS754IT4 - 75' (22.8m) 3-Wire

CW125IT4 - 125' (38.0m) One-ended cable set for winches.  
CW100IT4 - 100' (30.4m) One-ended cable set for winches.  
CW754 - 75' (22.8m) One-ended cable set for winches.  
CS50EXT4 - 50' (15.2m) Extension cord.



M4100P12



M4100C12



M4100R12



CS100IT5 - 100' (30.4m) 4-Wire  
CS75IT5 - 75' (22.8m) 4-Wire

CW125IT5 - 125' (38.0m) One-ended cable set for winches.  
CW100IT5 - 100' (30.4m) One-ended cable set for winches.  
CS50EXT5 - 50' (15.2m) Extension cord.



M5100P9  
M5100P7



M5100C9  
M5100C7



M5100R9  
M5100R7



M5200PS1



M5200CS1



M5200RS1



PH6630 - 250' (76.2m) Yellow cable only.  
PH6599 - 50' (15.2m)  
PH6598 - 25' (7.6m)  
PH6599W - 50' (15.2m)  
PH6598W - 25' (7.6m)



75 Ohm TV Cable.  
TV99 - 50' (15.2m)  
TV98 - 25' (7.6m)  
TV99W - 50' (15.2m)  
TV98W - 25' (7.6m)



PH7440



PH6625



TV97



PH6597TV



PH6597





## Marine Products

# 30 Ampere, 125 Volt Cable Set

Features and Benefits

UL Listed.

Available in 25, 35 and 50 foot lengths.

Jute fillers inside jacket for maximum cable flexibility. Hubbell cable coils neater, lighter, lays flatter.

Molded flexneck adds life to cable set by helping to prevent right-angle cable damage and pullout.

Strain relief bull ring protects against stress and strain on the conductors caused by boat movement, crew traffic and rough handling.

Molded design totally encased in solid PVC material, for superior waterproofing and durability.

Exclusive copper crimp barrel termination provides protection against internal overheating and burnout compared to brass crimps. These copper crimps are the same type used by power companies. The result: tighter connections, better conductivity and longer life.

Locking ring assures proper alignment of connector to inlet for complete contact and waterproofing. Prevents accidental disengagement.

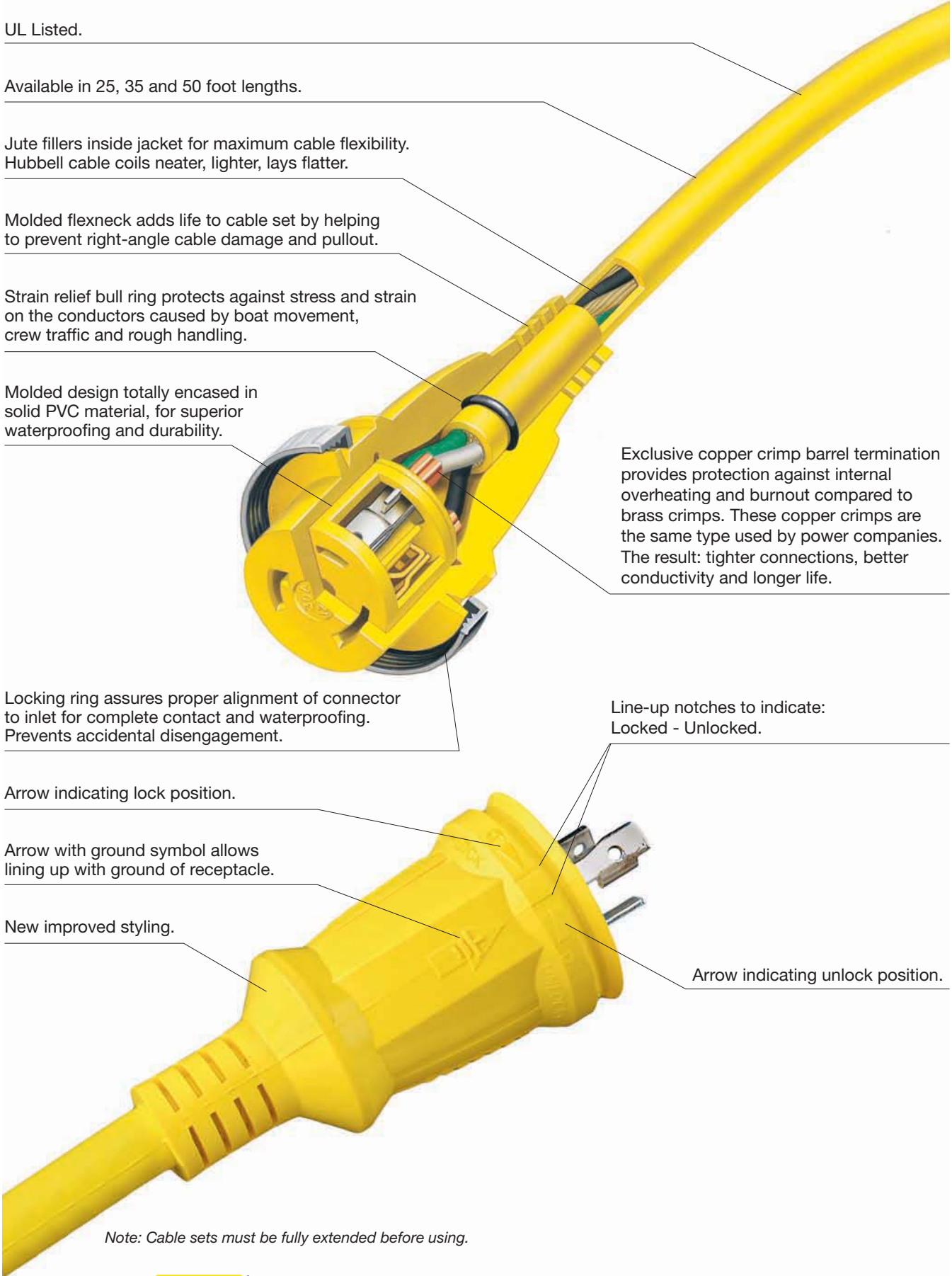
Line-up notches to indicate: Locked - Unlocked.

Arrow indicating lock position.

Arrow with ground symbol allows lining up with ground of receptacle.

New improved styling.

Arrow indicating unlock position.



Note: Cable sets must be fully extended before using.



Marine Products  
**30 Ampere, 125 Volt Twist-Lock® Devices**  
 2 Pole 3 Wire  
**Ship-to-Shore Devices**



**IP56**  
 SUITABILITY  
 Inlets Only.



**30A 125V Ship-to-Shore Devices**

Description	Catalog Numbers
Stylized UV resistant non-metallic shore power inlet has white Centrex cover which makes unit weatherproof when completely closed. Interior has easy-to-wire terminations and is transparent for quick and easy visual inspection. Mounting holes are 2.38 in. (60.3) on centers and match existing mounting patterns. Mounting screws and gasket included. Protective rear enclosure/strain relief also included.	<b>HBL303NM</b>
Stylized type 316 stainless steel shore power inlet has easy to use push-button latch that makes unit watertight when fully engaged. Interior has easy-to-wire terminations and is transparent for quick and easy visual inspection. Mounting holes are 2.38 in. (60.3) on centers and match existing mounting patterns. Mounting screws and gasket included. Protective rear enclosure/strain relief also included.	<b>HBL303SSBL Δ</b>
Traditional, stainless steel shore power inlet has new easy-to-wire terminations. Interior is transparent for quick and easy visual inspection. Interior is shielded from the elements by a gasketed, self-closing cover, watertight when cover is screwed in place. Mounting holes are 2.38 in. (60.3) on centers. Mounting screws and gasket included. Protective rear enclosure/strain relief also included.	<b>HBL303SS</b>
Traditional stainless steel inlet housing; blank for attaching a circuit breaker (not included). Mounting hardware for Carling series breakers included.	<b>HBLCBISS</b>
Stylized non-metallic inlet housing; blank for attaching a circuit breaker (not included). Mounting hardware for Carling series breakers included.	<b>HBLCBINM</b>
Protective rear cover. Fits all 30A shore power inlets. Secures to back of inlets with 3 screws which are provided.	<b>SR3050**</b>
Replacement interior for HBL303SS and 60CM61 shore power inlets.	<b>HBL303INT</b>
Nickel plated brass adapter plate for mounting chrome plated brass shore power inlets to FS/FD box.	<b>HBL60CM75</b>
Traditional Stainless steel power outlet has gasketed, self-closing cover, watertight when cover is screwed in place. Mounting holes are 2.38 in. (60.3) on centers. Mounting screws and gasket included.	<b>HBL303SSO</b>

Notes: \*\* Not UL/CSA.  
 Δ To be discontinued when present stocks are exhausted.



**HBL303NM**



**HBL303SSBL**



**HBL303SS**

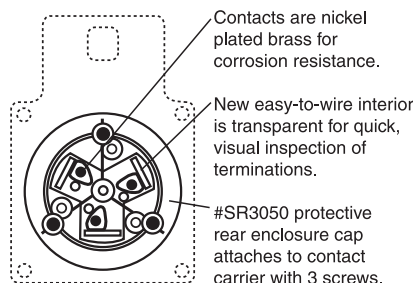
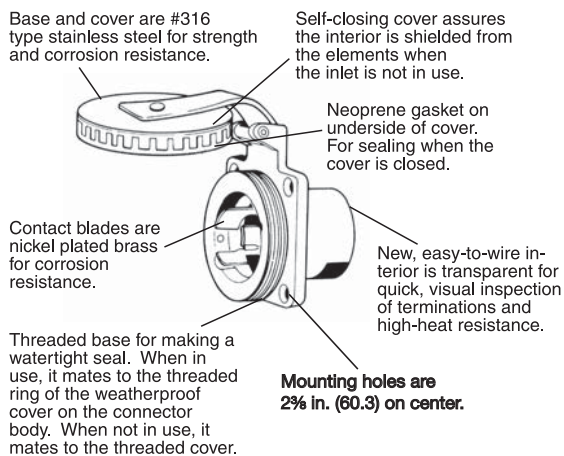


**HBLCBINM**



**HBL303SSO**

**30A 125V Traditional Stainless Steel Inlets**







Marine Products

**30 Ampere, 125 Volt AC Cable Sets and Bulk Cable**

2 Pole 3 Wire

Ship-to-Shore Devices



Our 30A, 125V cable set is packed with high performance details from end to end that make a real difference. Completely factory pre-wired with molded-on devices. Designed to coil easily and lie flat.



(Cable Sets)



HBL61CM08



YC310250

**30A 125V Shore Power Cable Set**

**Description**

Yellow 50 ft. (15.2m) vinyl jacketed shore power cable set. #10 AWG is factory pre-wired with molded-on devices. Connector end has non-metallic threaded sealing ring which makes inlet/connector interface watertight.

Same as HBL61CM08 except 35 ft. (10.7m) in length.

Same as HBL61CM08 except 25 ft. (7.6m) in length.

Same as HBL61CM08 except in white.

Same as HBL61CM03 except in white.

Yellow 250 ft. (76.2m) three conductor, #10 AWG type STW, PVC jacketed portable cord with jute fillers for added flexibility. Ideal for making cable sets, extension cord, and adapters that will not mark boat's deck. 250 ft. (76.2m) lengths only.

White 280 ft. (85.3m) three conductor, #10 AWG type STW, PVC jacketed portable cord with jute fillers for added flexibility. Ideal for making cable sets, extension cord, and adapters that will not mark boat's deck. 280 ft. (85.3m) lengths only.

Replacement non-metallic sealing ring for 30A cable sets and boots. Not UL Listed.

**Catalog Numbers**

**HBL61CM08**

**HBL61CM05**

**HBL61CM03**

**HBL61CM08W**

**HBL61CM03W**

**YC310250**

**WC310280**

**RPL30P**







### Marine Products

## 30 Ampere, Cable Set with High Intensity LED "Power-On" Indicator Ship-to-Shore Cable Sets



- Bright, durable, LED (green) indicates "power-on".
- High intensity LED is visible—even in bright sunlight.
- Totally molded design for superior waterproofing and durability.
- Exclusive copper crimp barrel terminations for tighter connections and longer life.



Bull ring for added strain relief.

Exclusive crimp termination for longer life.

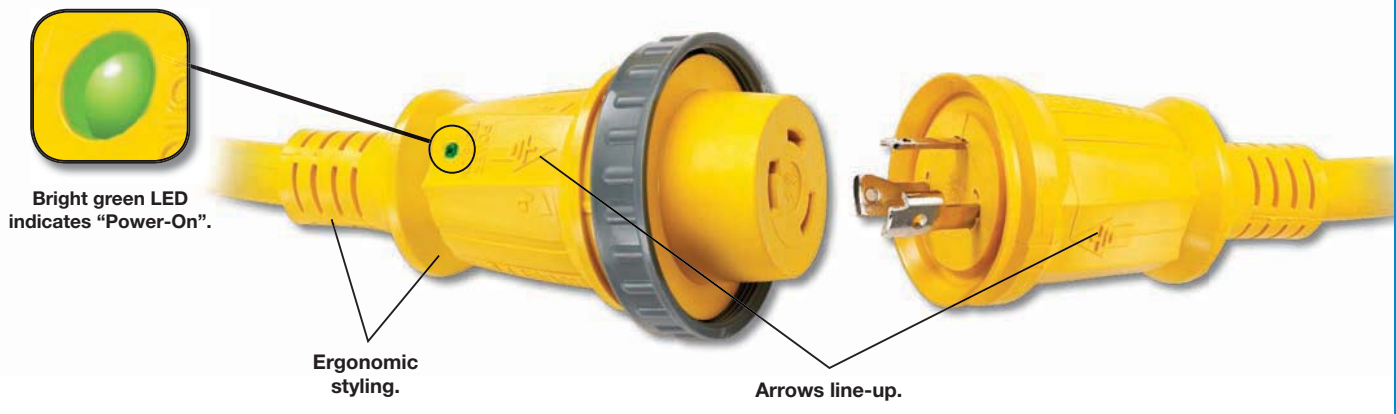


**IP56**  
SUITABILITY  
(Boatside)



### 30A Shore Power Cable Set with LED "Power-On" Indicator

Description	Catalog Numbers
Yellow 50 ft. (15.2m) vinyl jacketed shore power cable set. #10 AWG is factory pre-wired with molded-on devices. Connector end has non-metallic threaded sealing ring which makes inlet/connector interface watertight.	<b>HBL61CM08LED</b>
Same as HBL61CM08LED except 35 ft. (10.7m) in length.	<b>HBL61CM05LED</b>
Same as HBL61CM08LED except 25 ft. (7.6m) in length.	<b>HBL61CM03LED</b>
Same as HBL61CM08LED except in white.	<b>HBL61CM08WLED</b>
Same as HBL61CM05LED except in white.	<b>HBL61CM05WLED</b>
Same as HBL61CM03LED except in white.	<b>HBL61CM03WLED</b>
Replacement non-metallic sealing ring for 30A cable sets and boots. Not UL Listed.	<b>RPL30P</b>



Bright green LED indicates "Power-On".

Ergonomic styling.

Arrows line-up.





Marine Products  
**30 Ampere, 125 Volt Twist-Lock® Devices**  
 2 Pole 3 Wire  
**Ship-to-Shore Devices**



HBL26CM10



HBL26CM11



HBL60CM31



HBL26CM13



HBL60CM33



HBL60CM32

**30A 125V Ship-to-Shore Devices**

Description	Catalog Numbers
Yellow single receptacle has Rynite® body and abuse resistant nylon face. <b>IP20 SUITABILITY.</b>	<b>HBL26CM10</b>
Yellow Insulgrip® plug has rugged nylon housing and cord grip with range of .36-.93 in. (9-24) that utilizes a unique offset jaws arrangement to provide secure strain relief. <b>IP20 SUITABILITY.</b>	<b>HBL26CM11</b>
Yellow Seal-Tite® cover for weatherproofing HBL26CM11 plugs. <b>IP55 SUITABILITY.</b> Note: Fits Insulgrip devices only.	<b>HBL60CM31+</b>
White Seal-Tite cover for weatherproofing HBL26CM11 plugs. <b>IP55 SUITABILITY.</b> Note: Fits Insulgrip devices only.	<b>HBL60CM31W+</b>
Yellow Insulgrip connector body has rugged nylon housing and cord grip with range of .36-.93 in. (9-24) that utilizes a unique offset jaws arrangement to provide secure strain relief.	<b>HBL26CM13</b>
Yellow Seal-Tite cover for weatherproofing HBL26CM13 connector bodies when used with shore power inlets. Threaded sealing ring makes connection watertight. Also for weatherproofing HBL26CM11 plug when used with HBL303SSO power outlet. <b>IP56 SUITABILITY.</b> Note: Fits Insulgrip devices only.	<b>HBL60CM33+</b>
White Seal-Tite cover for weatherproofing HBL26CM13 connector body when used with shore power inlets. Threaded sealing ring makes connection watertight. Also for weatherproofing HBL26CM11 plug when used with HBL303SSO power outlet. <b>IP56 SUITABILITY.</b> Note: Fits Insulgrip devices only.	<b>HBL60CM33W+</b>
Yellow Seal-Tite cover for weatherproofing HBL26CM13 connector bodies when used on extension cords or adapters. <b>IP55 SUITABILITY.</b> Note: Fits Insulgrip devices only.	<b>HBL60CM32+</b>
Yellow polycarbonate spring-loaded lift cover for weatherproofing old style 26CM10 receptacle. Meets the most stringent requirements of UL's three listing categories for weatherproof plates. Stainless steel screws and neoprene gasket included for mounting to FS/FD type weatherproof boxes. <b>IP44 SUITABILITY.</b>	<b>HBL74CM24WO**</b>
Same as HBL74CM24WO except gray in color. <b>IP44 SUITABILITY.</b>	<b>HBL7424WO**</b>
Yellow polycarbonate spring-loaded lift cover for weatherproofing HBL26CM10 receptacle. Meets the most stringent requirements of UL's three listing categories for weatherproof plates. Stainless steel screws and neoprene gasket included for mounting to FS/FD type weatherproof boxes. <b>IP44 SUITABILITY.</b>	<b>HBL74CM25WOA**</b>
Same as HBL74CM25WOA except white in color. <b>IP44 SUITABILITY.</b>	<b>HBL74CM25WOAW</b>
Same as HBL74CM25WOA except gray in color. <b>IP44 SUITABILITY.</b>	<b>HBL7425WOA**</b>
Stainless steel wall plate for old 26CM10.	<b>SS725</b>
Stainless steel wall plate for new HBL26CM10.	<b>SS720</b>

Notes: \*\* See page 43 for photo.  
 + Boots are not UL listed.

Rynite® is a registered trademark of E. I. DuPont.



Marine Products  
**30 Ampere, 125 Volt Twist-Lock® Devices**  
 2 Pole 3 Wire  
**Ship-to-Shore Devices**



**30A 125V Ship-to-Shore Devices**

Description	Catalog Numbers
Yellow Valise® plug has one-piece nylon housing and assembles easily with two screws. Built-in cord grip has range of .59-.93 in. (15.0-23.6). <b>IP20 SUITABILITY.</b>	<b>HBL26CM11V</b>
Black Valise plug for use on bass boats with trolling motor. One-piece nylon housing assembles easily with two screws. Built-in cord grip has a range of .59-.93 in. (15.0-23.6). <b>IP20 SUITABILITY.</b>	<b>HBL26CM11VB</b>
Yellow Seal-Tite® cover for weatherproofing HBL26CM11V plugs. <b>IP55 SUITABILITY.</b> Note: Fits Valise devices only.	<b>HBL60CM31V+</b>
Yellow Valise connector body has a one-piece nylon housing and assembles easily with two screws. Built-in cord grip has range of .59-.93 in. (15.0-23.6). <b>IP20 SUITABILITY.</b>	<b>HBL26CM13V</b>
Yellow Seal-Tite cover for HBL26CM13V connector body when used with shore power inlets. Threaded sealing ring makes connection watertight. <b>IP56 SUITABILITY.</b> Note: Fits Valise devices only.	<b>HBL60CM33V+</b>
Yellow Seal-Tite cover for weatherproofing HBL26CM13V connector bodies when used on extension cords or adapters. <b>IP55 SUITABILITY.</b> Note: Fits Valise devices only.	<b>HBL60CM32V+</b>
Replacement non-metallic sealing ring for 30A cable sets and boots. Not UL listed.	<b>RPL30P</b>

Note: + Boots are not UL listed.



HBL26CM11V



HBL26CM11VB



HBL60CM31V



RPL30P



HBL26CM13V

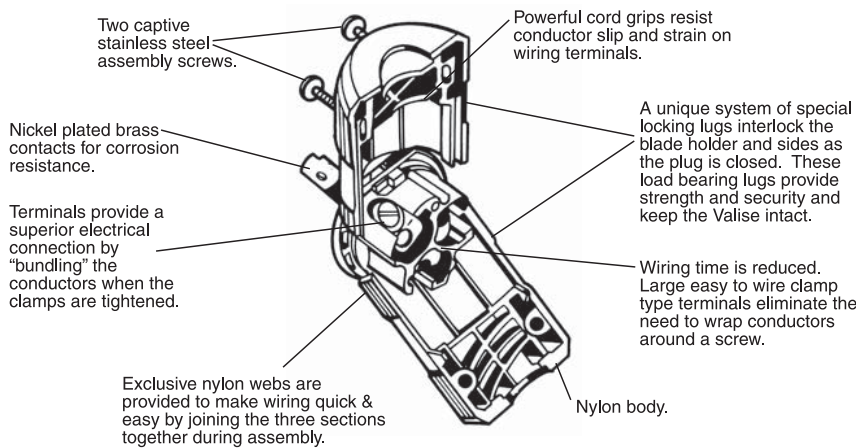


HBL60CM33V



HBL60CM32V

**Valise® Plug**





Marine Products  
**50 Ampere, 125 Volt Twist-Lock® Devices**  
 2 Pole 3 Wire  
**Ship-to-Shore Devices**



HBL503NM



HBL503RI



HBL503SS



HBL63CM60



HBL77CM15



HBL77CM17

**50A 125V Ship-to-Shore Devices**

**Description**

**Catalog Numbers**

Stylized non-metallic shore power inlet has UV resistant white Centrex cover which makes unit weatherproof when completely closed. Interior has easy to wire terminals. Mounting holes are 2.38 in. (60.3) on centers and match existing mounting patterns. Mounting screws and gasket included.  
**IP56 SUITABILITY.**

**HBL503NM**

Stylized type 316 stainless steel shore power inlet has easy to use push-button latch that makes unit watertight when fully engaged. Interior has easy to wire terminals. Mounting holes are 2.38 in. (60.3) on centers and match existing mounting patterns. Mounting screws and gasket included.  
**IP56 SUITABILITY.**

**HBL503RI Δ**

Traditional stainless steel shore power inlet has gasketed, self-closing cover so interior is shielded from the elements when not in use. Watertight when cover is securely fastened. Mounting holes are 2.38 in. (60.3) on centers, and rear portion has 2.17 in. (55.1) diameter. Mounting screws and gasket included.  
**IP56 SUITABILITY.**

**HBL503SS**

Protective rear cover. Fits all inlets except HBL503SS. Secures to back of inlets with 3 screws which are provided.

**SR3050\*\***

Replacement interior for HBL503SS and 63CM72 shore power inlets.

**CR16277**

Nickel plated brass connector body has heat resistant thermoset interior and combination metal and rubber cord grip provides superior strain relief capability. Cord grip range is .44-1.14 in. (11.1-29.0). **IP20 SUITABILITY.**

**HBL63CM60**

Yellow Seal-Tite® cover for connector bodies when used with 50A shore power inlets. Threaded sealing ring makes connections watertight.  
**IP56 SUITABILITY.**

**HBL77CM15+**

White Seal-Tite cover for connector bodies when used with 50A shore power inlets. Threaded sealing ring makes connections watertight.  
**IP56 SUITABILITY.**

**HBL77CM15W+**

Nickel plated brass cord clamp assembly with clamp range of .44-1.14 in. (11.1-29.0) provides strain relief for terminations on shore power inlets.

**HBL77CM67**

Yellow Seal-Tite cover for weatherproofing 50A connector bodies on extension cords or adapters. **IP55 SUITABILITY.**

**HBL77CM17+**

Notes: + Boots are not UL listed.

\*\* Not UL/CSA.

Δ To be discontinued when present stocks are exhausted.

**50A Traditional Stainless Steel Inlets**

Base and cover are #316 type stainless steel for strength and corrosion resistance.

Self-closing cover is friction tight to remain open while engaging cable set and shields the interior from the elements when the inlet is not in use.

Contact blades are nickel plated brass for corrosion resistance.

Neoprene gasket on underside of cover for sealing when the cover is closed.

Pressure screw terminals for secure terminations—clearly marked for easy identification.

Three screws "lock-in" the interior once it is in place.

Thermoset contact carrier is arcing and heat resistant.

Threaded base for making a watertight seal. When in use, it mates to the threaded ring of the watertight cover on the connector body. When not in use, it mates to the threaded cover.

# Marine Products

## 50 Ampere, 125 Volt Twist-Lock® Devices

### 2 Pole 3 Wire

### Ship-to-Shore Devices



Plugs and receptacles only.



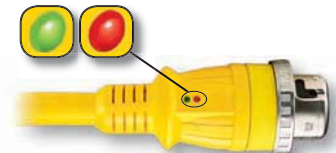
### 50A 125V Ship-to-Shore Devices

Description	Catalog Numbers
Yellow 50 ft. (15.2m) vinyl jacketed shore power cable set. #6 AWG type STOW is completely factory pre-wired with molded-on devices. Connector end has threaded metallic sealing ring to make inlet/connector interface watertight. <b>IP56 SUITABILITY (BOATSIDE).</b>	<b>HBL61CM53</b>
Same as HBL61CM53 except with two high intensity LEDs.	<b>HBL61CM53LED •</b>
Same as HBL61CM53 except white.	<b>HBL61CM53W</b>
Same as HBL61CM53W except with two high intensity LEDs.	<b>HBL61CM53WLED •</b>
Same as HBL61CM53 except 25 ft. (7.6m) in length.	<b>HBL61CM43</b>
Same as HBL61CM43 except with two high intensity LEDs.	<b>HBL61CM43LED •</b>
Three conductor, #6 AWG type STOW, yellow PVC jacketed portable cord with jute fillers for added flexibility. Ideal for making cable sets, extension cords, and adapters will not mark boat's deck. 250 ft. (75.2m) lengths only.	<b>YC306250</b>
Nickel plated brass plug has heat resistant thermoset interior and combination metal and rubber cord grip, provides superior strain relief capability. Cord grip range is .44-1.14 in. (11.1-29.0). <b>IP20 SUITABILITY.</b>	<b>HBL63CM61</b>
Yellow Seal-Tite® cover for weatherproofing 50A plugs. <b>IP55 SUITABILITY.</b>	<b>HBL77CM16+</b>
White Seal-Tite cover for weatherproofing 50A plugs. <b>IP55 SUITABILITY.</b>	<b>HBL77CM16W+</b>
Single receptacle has a heat-resistant thermoset base. <b>IP20 SUITABILITY.</b>	<b>HBL63CM70</b>
Yellow Valox® lift cover for weatherproofing 50A receptacles. Meets requirements of the most stringent of UL's three listing categories for weatherproof plates. Stainless steel screws and a neoprene gasket included. For mounting to FS/FD type weatherproof boxes. <b>IP44 SUITABILITY.</b>	<b>HBL77CM74WO</b>
Same as HBL77CM74WO except gray in color. <b>IP44 SUITABILITY.</b>	<b>HBL7774WO</b>
Stainless steel wall plate for 50A receptacle.	<b>SS750</b>

Notes: + Boots are not UL listed.  
• Features and benefits on page 14.



**HBL61CM53**  
**HBL61CM53W**  
**HBL61CM43**



**HBL63CM61**



**HBL77CM16**



**HBL63CM70**

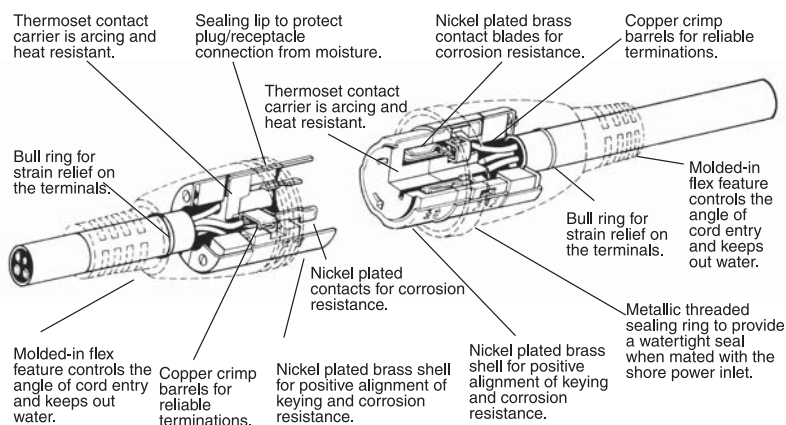


**HBL77CM74WO**



**SS750**

### 50A Molded Cable Sets



Valox® is a trademark of SABIC Innovative Plastics, acquired from General Electric Company.



Marine Products  
**50 Ampere, 125/250 Volt Twist-Lock® Devices**  
 3 Pole 4 Wire  
**Ship-to-Shore Devices**



HBL504NM



HBL504RI



HBL504SS



HBL63CM64



HBL77CM15



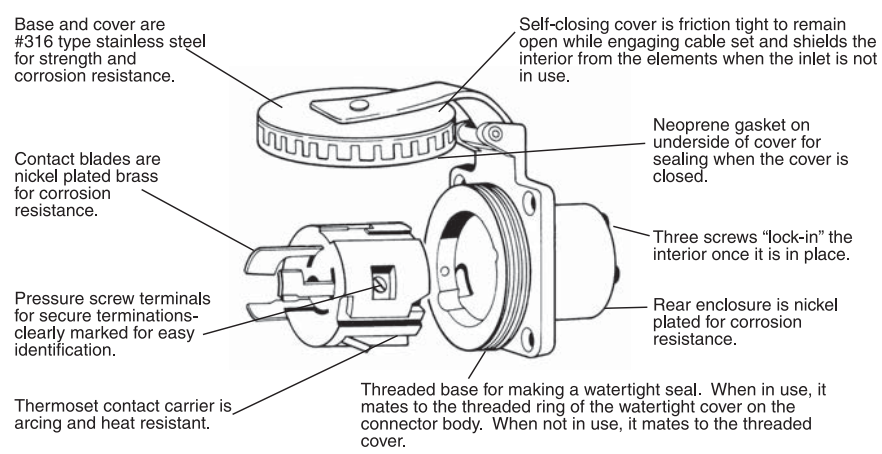
HBL77CM17

**50A 125/250V Ship-to-Shore Devices**

Description	Catalog Numbers
Stylized non-metallic shore power inlet has UV resistant white Centrex cover which makes unit weatherproof when completely closed. Interior is heat resistant thermoset material and has box lug terminals. Mounting holes are 2.38 in. (60.3) on centers and match existing mounting patterns. Mounting screws and gasket included. <b>IP56 SUITABILITY.</b>	<b>HBL504NM</b>
Stylized type 316 stainless steel shore power inlet has easy to use push-button latch that makes unit watertight when fully engaged. Interior is heat resistant thermoset material and has box lug terminals. Mounting holes are 2.38 in. (60.3) on centers and match existing mounting patterns. Mounting screws and gasket included. <b>IP56 SUITABILITY.</b>	<b>HBL504RI Δ</b>
Traditional stainless shore power inlet has gasketed, self-closing cover so that the interior is shielded from the elements when not in use. It is watertight when the cover is securely fastened. The mounting holes are 2.38 in. (60.3) on centers, and the rear portion has a 2.17 in. (55.1) diameter. Mounting screws and gasket are included. <b>IP56 SUITABILITY.</b>	<b>HBL504SS</b>
Protective rear cover. Fits all inlets except HBL504SS. Secures to back of inlets with 3 screws which are provided.	<b>SR3050**</b>
Replacement interior for 63CM74 and HBL504SS power inlets.	<b>CR16279**</b>
Nickel plated brass connector body has a heat resistant thermoset interior and combination metal and rubber cord grip, which provides superior strain relief capability. Cord grip range is .44–1.14 in. (11.1–29.0). <b>IP20 SUITABILITY.</b>	<b>HBL63CM64</b>
Yellow Seal-Tite® cover for connector bodies when used with 50A shore power inlets. Threaded sealing ring makes connections watertight. <b>IP56 SUITABILITY.</b>	<b>HBL77CM15+</b>
White Seal-Tite cover for connector bodies when used with 50A shore power inlets. Threaded sealing ring makes connections watertight. <b>IP56 SUITABILITY.</b>	<b>HBL77CM15W+</b>
Nickel plated brass cord clamp assembly with clamp range of .44–1.14 in. (11.1–29.0) provides strain relief for terminations on shore power inlets.	<b>HBL77CM67</b>
Yellow Seal-Tite cover for weatherproofing 50A connector bodies on extension cords or adapters. <b>IP55 SUITABILITY.</b>	<b>HBL77CM17+</b>

Notes: \*\* Not UL/CSA.  
 + Boots are not UL listed.  
 Δ To be discontinued when present stocks are exhausted.

**50A Traditional Stainless Steel Inlets**



# 50 Ampere, 125/250 Volt Twist-Lock® Devices

3 Pole 4 Wire

## Ship-to-Shore Devices



Plugs and receptacles only.



50A  
125/250V  
UL/CSA

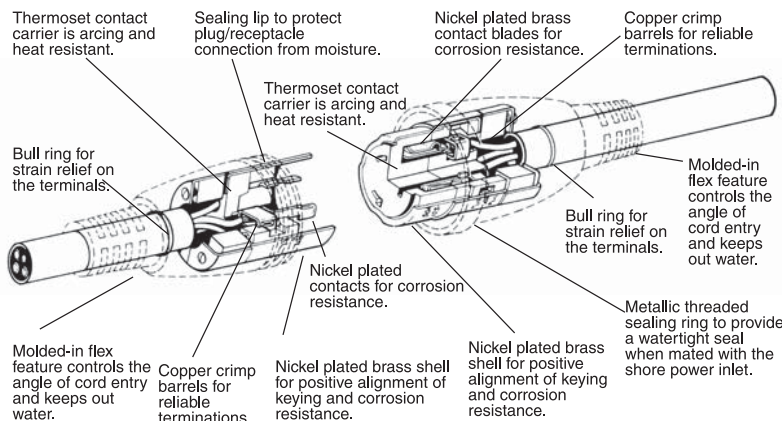
### 50A 125/250V Ship-to-Shore Devices

Description	Catalog Numbers
Yellow 50 ft. (15.2m) vinyl jacketed shore power cable set, #6 AWG type STOW is completely factory pre-wired with molded-on devices. The connector end has a metallic threaded sealing ring for making the inlet/connector interface watertight. <b>IP56 SUITABILITY (BOATSIDE).</b>	<b>HBL61CM52</b>
Same as HBL61CM52 except with two high intensity LEDs.	<b>HBL61CM52LED •</b>
Same as HBL61CM52 except white.	<b>HBL61CM52W</b>
Same as HBL61CM52W except with two high intensity LEDs.	<b>HBL61CM52WLED •</b>
Yellow 25 ft. (15.2m) vinyl jacketed shore power cable set, #6 AWG type STOW is completely factory pre-wired with molded-on devices. The connector end has a metallic threaded sealing ring for making the inlet/connector interface watertight. <b>IP56 SUITABILITY (BOATSIDE).</b>	<b>HBL61CM42</b>
Same as HBL61CM42 except with two high intensity LEDs.	<b>HBL61CM42LED •</b>
Same as HBL61CM42 except white.	<b>HBL61CM42W</b>
Same as HBL61CM42W except with two high intensity LEDs.	<b>HBL61CM42WLED •</b>
Four conductor, #6 AWG type STOW, yellow PVC jacketed portable cord with jute fillers for added flexibility is ideal for making cable sets, extension cords, and adapters that will not mark the boats deck. Available in 250 ft. (76.2m) lengths only.	<b>YC406250</b>
Nickel plated brass plug has a heat resistant thermoset interior and combination metal and rubber cord grip, which provides superior strain relief capability. Cord grip range is .44–1.14 in. (11.1–29.0). <b>IP20 SUITABILITY.</b>	<b>HBL63CM65</b>
Yellow Seal-Tite® cover for weatherproofing 50A plugs. <b>IP55 SUITABILITY.</b>	<b>HBL77CM16+</b>
White Seal-Tite® cover for weatherproofing 50A plugs. <b>IP55 SUITABILITY.</b>	<b>HBL77CM16W+</b>
Single receptacle has a heat resistant thermoset base. <b>IP20 SUITABILITY.</b>	<b>HBL63CM69</b>
Yellow Valox® lift cover for weatherproofing 50A receptacles. Meets requirements of the most stringent of UL's three listing categories for weatherproof plates. Stainless steel screws and a neoprene gasket included. For mounting to FS/FD type weatherproof boxes. <b>IP44 SUITABILITY.</b>	<b>HBL77CM74WO</b>
Same as HBL77CM74WO except gray in color. <b>IP44 SUITABILITY.</b>	<b>HBL7774WO</b>
Stainless steel wall plate for 50A receptacle.	<b>SS750</b>

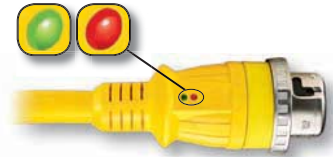
Notes: + Boots are not UL listed.

- Features and benefits on page 14.

### 50A Molded Cable Sets



**HBL61CM52**  
**HBL61CM52W**  
**HBL61CM42**  
**HBL61CM42W**



**HBL63CM65**



**HBL77CM16**



**HBL63CM69**



**HBL77CM74WO**



**SS750**

Valox® is a trademark of SABIC Innovative Plastics, acquired from General Electric Company.







Marine Products

50 Ampere, Cable Set with Two High Intensity LEDs:  
 “Power-On” and “Incorrect Wiring” Indicators  
 Ship-to-Shore Cable Sets



Bull ring for added strain relief.

Exclusive crimp termination for longer life.

- Two bright, durable, LEDs. GREEN indicates “Power-On” and RED indicates “Incorrect Wiring” at the power source.
- High intensity LEDs are visible—even in bright sunlight.
- Totally molded design for superior waterproofing and durability.
- Exclusive copper crimp barrel terminations for tighter connections and longer life.



**IP56**  
 SUITABILITY  
 (Boatside)



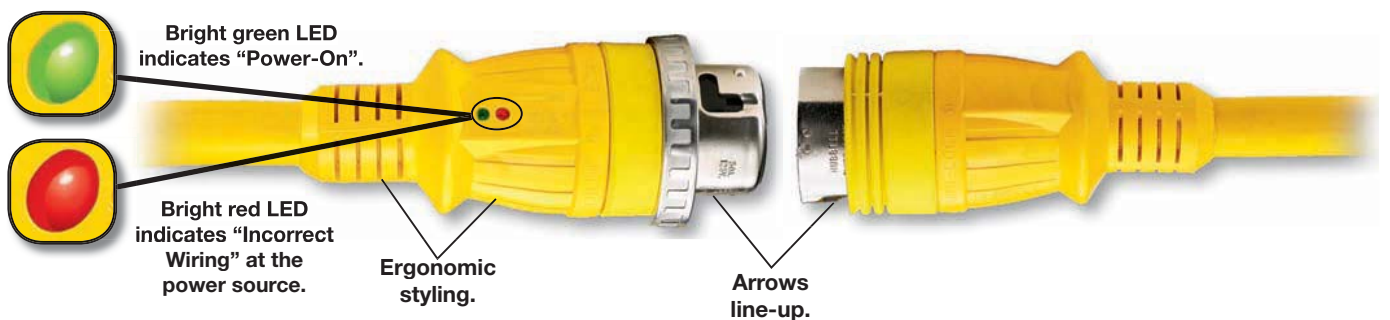
50A 125V



50A 125/250V

50A Shore Power Cable Set with Two LED Indicators

Description	Catalog Number	Catalog Numbers
Yellow 50 ft. (15.2m) vinyl jacketed shore power cable set, #6 AWG type STOW is completely factory pre-wired with molded-on devices. The connector end has a metallic threaded sealing ring for making the inlet/connector interface watertight.	HBL61CM53LED	HBL61CM52LED
Same as HBL61CM52LED except in white.	HBL61CM53WLED	HBL61CM52WLED
Same as HBL61CM52LED except 25 ft. (7.6m) in length.	HBL61CM43LED	HBL61CM42LED
Same as HBL61CM42LED except in white.	-	HBL61CM42WLED



Bright green LED indicates “Power-On”.

Bright red LED indicates “Incorrect Wiring” at the power source.

Ergonomic styling.

Arrows line-up.







## Marine Products

# 100 Ampere, 125/250 Volt and 3ØY 120/208 Volt

3, 4, and 5 Wire

## Ship-to-Shore Cable Sets



**IP67**  
SUITABILITY



### 100A 125/250V Ship-to-Shore Cable Sets

Description	Catalog Numbers
Yellow 75 ft. (22.8m) corrosion resistant shore power cable set, 105° C rated, #2 AWG, 2 pole 3 wire (no neutral), STOW cable with 3 pole 4 wire, 100A 125/250V plug and connector body for use with boats with isolation transformer on board.	<b>CS75IT4</b>
Same as CS75IT4 except 100 ft. (30.4m) in length.	<b>CS100IT4</b>
Yellow 75 ft. (22.8m) corrosion resistant shore power cable set, 105° C rated, #2 AWG, 3 pole 4 wire STOW cable.	<b>CS754</b>
Same as CS754 except 100 ft. (30.4m) in length.	<b>CS1004</b>
Yellow 50 ft. (15.2m) corrosion resistant extension cord, 105° C rated, #2 AWG, 3 pole 4 wire STOW cable. For mating with existing shore power cable set.	<b>CS50EXT4</b>
Yellow 75 ft. (22.8m) corrosion resistant one-ended (male only) power supply cable, 105° C rated, #2 AWG, 3 pole 4 wire STOW cable with 3 pole 4 wire male plug only; for use with boats using a cable winch system.	<b>CW754</b>
Yellow 100 ft. (30.4m) corrosion resistant one-ended (male only) power supply cable, 105° C rated, #2 AWG, 2 pole 3 wire (no neutral) STOW cable with 3 pole 4 wire male plug only; for use with boats with isolation transformer on board and a cable winch system.	<b>CW100IT4</b>
Same as CW100IT4 except 125 ft. (38.0m) in length.	<b>CW125IT4</b>

- Hubbell Marine was the first to offer 100 amp marine grade devices that are considered second to none.
- Hubbell developed the standard for 100 amp Pin and Sleeve devices with the National Electric Code and the American Boat and Yacht Council.
- Only Hubbell offers 3, 4 and 5 wire 100 amp cable sets for your shore power requirements.
- Cable sets manufactured in factory-controlled conditions using specially compounded cable to accommodate a full 100 amp.

### 100A 120/208V Ship-to-Shore Cable Sets



Description	Catalog Numbers
Yellow 75 ft. (22.8m) corrosion resistant shore power cable set, 105° C rated, #2 AWG, 3 pole 4 wire (no neutral), STOW cable with 4 pole 5 wire, 100A 120/208V plug and connector body for use with boats with isolation transformer on board.	<b>CS75IT5</b>
Same as CS75IT5 except 100 ft. (30.4m) in length.	<b>CS100IT5</b>
Yellow 50 ft. (15.2m) corrosion resistant extension cord, 105° C rated, #2 AWG, 4 pole 5 wire STOW cable. For mating with existing shore power cable set.	<b>CS50EXT5</b>
Yellow 100 ft. (30.4m) corrosion resistant one-ended (male only) power supply cable, 105° C rated, #2 AWG, 3 pole 4 wire (no neutral) STOW cable with 4 pole 5 wire male plug only; for use with boats with isolation transformer on board and a cable winch system.	<b>CW100IT5</b>
Same as CW100IT5 except 125 ft. (38.0m) in length.	<b>CW125IT5</b>

Features	Benefits
Factory assembled.	Reliable and consistent terminations.
100 Amp pin and sleeve devices.	Rugged, watertight, UL listed, AB02029 YC compliant, corrosion resistant.
UL Listed cable.	High visibility yellow, STOW cable, 105° C rated, and UL listed.
Breadth of line.	Available in 75, 100, and 125 ft. lengths with and without a neutral. Fifty foot extension cords also available.
100% inspection.	Each cable set is tested to ensure quality performance.

Note: Periodic cleaning and lubrication (such as LPS-1® made by Holt Lloyd Corp.) of the pins and sleeves of these devices is necessary to enjoy years of optimal use.



**CS75IT4**







Marine Products  
**100 Ampere, 125/250 Volt**  
 3 Pole 4 Wire  
**Ship-to-Shore Devices**

**IP67**  
 SUITABILITY



**100A 125/250V Ship-to-Shore Devices**



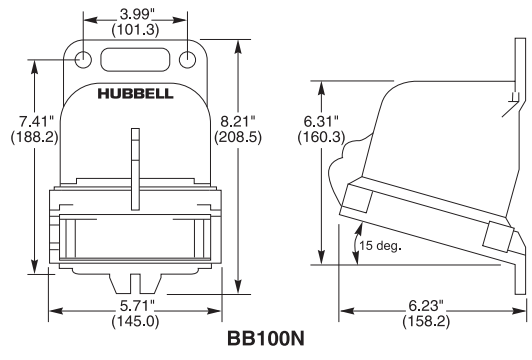
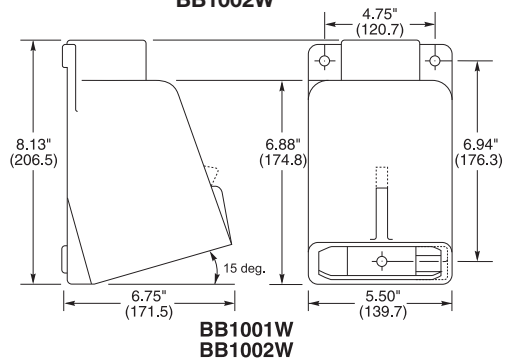
**M4100B12R**



**M4100C12R**



**BB1001W  
 BB1002W**



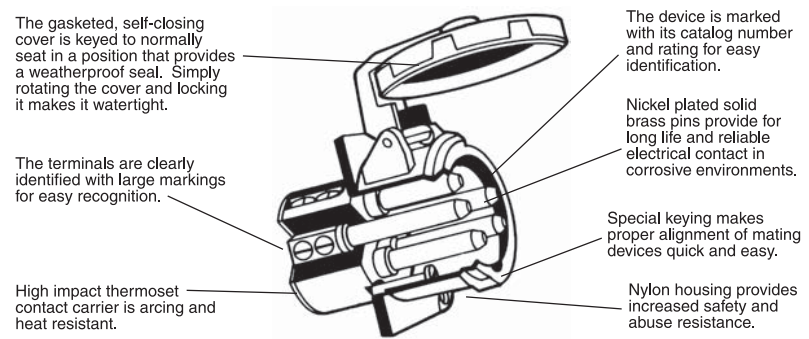
Description	Catalog Numbers
Gray nylon shore power inlet has gasketed, spring-loaded cover which closes automatically when not in use and is watertight when securely fastened. Mounting holes are 4.88 in. (123.8) on centers and rear portion has 3.94 in. (100.0) diameter. Mounting screws and gasket included.	<b>M4100B12R</b>
Yellow Zytel® super tough nylon watertight connector body has gasketed locking ring to make inlet/connector interface watertight. Cord grip range is 1.00–1.94 in. (25.4–49.3). Note: This device mates with shore power inlet only.	<b>M4100C12R</b>
15° angle cast aluminum back box has corrosion resistant gray finish and top hub with 1½ in. N.P.T. 100A receptacles can be mounted directly to it.	<b>BB1001W</b>
Same as BB1001W except threaded top hub is 2.00 in. N.P.T.	<b>BB1002W</b>
15° angle non-metallic back box, made of high-grade engineered thermoplastic Valox® to resist chemicals, abuse and U.V. rays. Has integral grounding plate, 1½ in. N.P.T. hub size and 120 cu. in. capacity (hub is not included - Raco part number 1706 is recommended).	<b>BB100N</b>
Replacement Parts	
Replacement lift cover assembly; includes cover, arm and assembly tool.	<b>CA100</b>
Replacement locking ring and cord clamp.	<b>CC100</b>
Replacement locking ring only.	<b>LR100</b>

Notes: Periodic cleaning and lubrication (such as LPS-1® made by Holt Lloyd Corp.) of the pins and sleeves of these devices is necessary to enjoy years of optimal use.

**Shore Power Inlet**



**BB100N**



Valox® is a trademark of SABIC Innovative Plastics, acquired from General Electric Company.





Marine Products  
**100 Ampere, 125/250 Volt**  
 3 Pole 4 Wire  
**Ship-to-Shore Devices**

**IP67**  
 SUITABILITY



**100A 125/250V Ship-to-Shore Devices**

Description	Catalog Numbers
Yellow Zytel® super tough nylon watertight plug has gasketed locking ring to make plug/receptacle interface watertight. Cord grip range is 1.00–1.94 in. (25.4–49.3).	<b>M4100P12</b>
Gray nylon dockside receptacle has gasketed, spring-loaded cover. Closes automatically when not in use and is watertight when securely fastened. Mounting holes are 4.88 in. (123.8) on centers. Mounting screws and gasket included.	<b>M4100R12</b>
Yellow Zytel® super tough nylon watertight connector body for mating plug to connector interface on extension cords or adapters. Cord grip range is 1.00–1.94 in. (25.4–49.3). Note: It cannot be mated to the shore power inlet.	<b>M4100C12</b>
Back box for inlets and receptacles has 15° angle section which can be installed in any of 4 positions. Box is cast aluminum with corrosion resistant gray alkyd-based enamel finish and 1½ in. N.P.T. hub which can be mounted for either top or bottom feed.	<b>FW60100</b>
Closure Cap for 100A plugs and connector bodies that (do not have a cap attached) have locking rings.	<b>PC100</b>



**M4100P12**



**M4100R12**

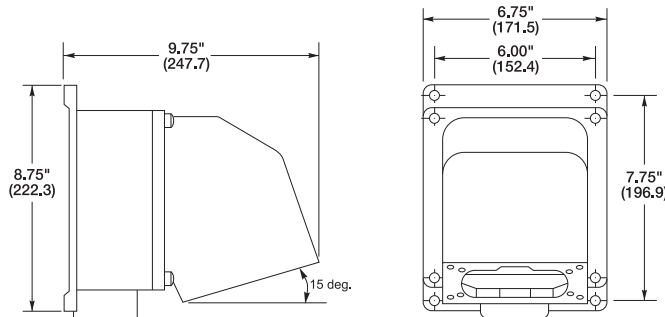


**M4100C12**

**Replacement Parts**

Replacement lift cover assembly; includes cover, arm and assembly tool.	<b>CA100</b>
Replacement locking ring and cord clamp.	<b>CC100</b>
Replacement locking ring only.	<b>LR100</b>

Notes: Periodic cleaning and lubrication (such as LPS-1® made by Holt Lloyd Corp.) of the pins and sleeves of these devices is necessary to enjoy years of optimal use.

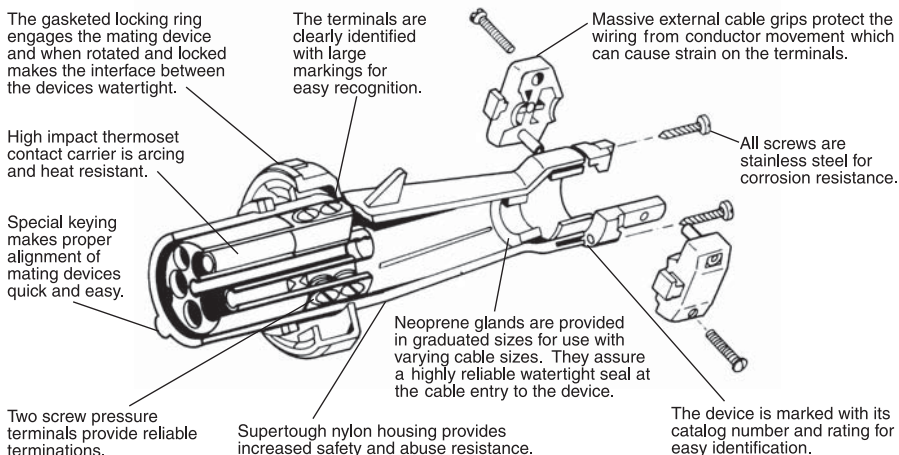


**FW60100**



**FW60100**

**100A Connector Body**



Zytel® is a registered trademark of E.I. DuPont.



**PC100**



**CA100**







Marine Products

**100 Ampere, 3ØY 120/208 Volt and 3ØY 277/480 Volt**

4 Pole 5 Wire

**Ship-to-Shore Devices**

**IP67**  
SUITABILITY



**100A 3ØY 120/208V and 100A 3ØY 277/480V Ship-to-Shore Devices**



**M5100B9R**



**M5100C9R**



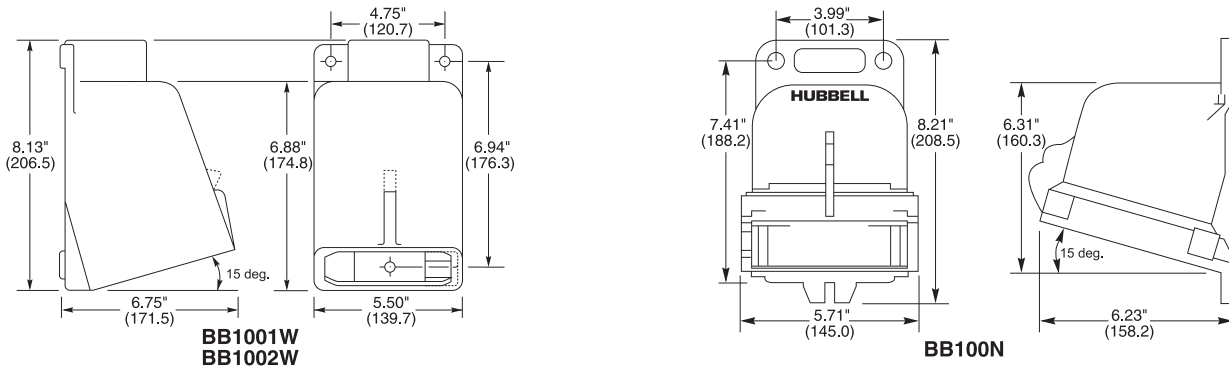
**BB1001W  
BB1002W**

Description	Catalog Numbers	
Gray nylon shore power inlet has gasketed, spring-loaded cover which closes automatically when not in use and is watertight when securely fastened. Mounting holes are 4.88 in. (123.8) on centers and rear portion has 3.94 in. (100.0) diameter. Mounting screws and gasket included.	<b>M5100B9R</b>	<b>M5100B7R</b>
Yellow Zytel® super tough nylon watertight connector body has gasketed locking ring to make inlet/connector interface watertight. Cord grip range is 1.00–1.94 in. (25.4–49.3). Note: This device mates with shore power inlet only.	<b>M5100C9R</b>	<b>M5100C7R</b>
15° angle cast aluminum back box has corrosion resistant gray finish and top hub with 1½ in. N.P.T. 100A receptacles can be mounted directly to it.	<b>BB1001W</b>	<b>BB1001W</b>
Same as BB1001W except threaded top hub is 2.0 in. N.P.T.	<b>BB1002W</b>	<b>BB1002W</b>
15° angle non-metallic back box, made of high-grade engineered thermoplastic Valox® to resist chemicals, abuse and U.V. rays. Has integral grounding plate, 1½ in. N.P.T. hub size and 120 cu. in. capacity (hub is not included - Raco part number 1706 is recommended).	<b>BB100N</b>	<b>BB100N</b>

**Replacement Parts**

Replacement lift cover assembly; includes cover, arm and assembly tool.	<b>CA100</b>	<b>CA100</b>
Replacement locking ring and cord clamp.	<b>CC100</b>	<b>CC100</b>
Replacement locking ring only.	<b>LR100</b>	<b>LR100</b>

*Note: Periodic cleaning and lubrication (such as LPS-1® made by Holt Lloyd Corp.) of the pins and sleeves of these devices is necessary to enjoy years of optimal use.*



**Shore Power Inlet**

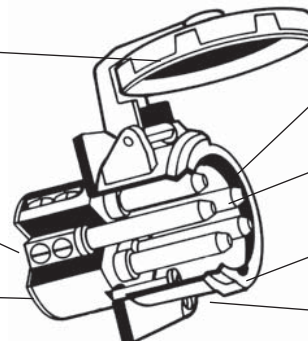


**BB100N**

The gasketed, self-closing cover is keyed to normally seat in a position that provides a weatherproof seal. Simply rotating the cover and locking it makes it watertight.

The terminals are clearly identified with large markings for easy recognition.

High impact thermoset contact carrier is arcing and heat resistant.



The device is marked with its catalog number and rating for easy identification.

Nickel plated solid brass pins provide for long life and reliable electrical contact in corrosive environments.

Special keying makes proper alignment of mating devices quick and easy.

Nylon housing provides increased safety and abuse resistance.

*Valox® is a trademark of SABIC Innovative Plastics, acquired from General Electric Company. Zytel® is a registered trademark of E.I. DuPont.*



# Marine Products

## 100 Ampere, 3ØY 120/208 Volt and 3ØY 277/480 Volt

4 Pole 5 Wire

### Ship-to-Shore Devices



**IP67**  
SUITABILITY



### 100A 3ØY 120/208V and 100A 3ØY 277/480V Ship-to-Shore Devices

Description	Catalog Numbers	
Yellow Zytel® super tough nylon watertight plug has gasketed locking ring to make plug/receptacle interface watertight. Cord grip range is 1.00–1.94 in. (25.4–49.3).	<b>M5100P9</b>	<b>M5100P7</b>
Gray nylon dockside receptacle has gasketed, spring-loaded cover. Closes automatically when not in use and is watertight when securely fastened. Mounting holes are 4.88 in. (123.8) on centers. Mounting screws and gasket included.	<b>M5100R9</b>	<b>M5100R7</b>
Yellow Zytel® super tough nylon watertight connector body for making plug to connector interface on extension cords or adapters. Cord grip range is 1.00–1.94 in. (25.4–49.3). Note: It cannot be mated to the shore power inlet.	<b>M5100C9</b>	<b>M5100C7</b>
Back box for inlets and receptacles has 15° angle section which can be installed in any of 4 positions. Box is cast aluminum with corrosion resistant gray alkyd-based enamel finish and 1½ in. N.P.T. hub which can be mounted for either top or bottom feed.	<b>FW60100</b>	<b>FW60100</b>
Closure Cap for 100A plugs and connector bodies that (do not have a cap attached) have locking rings.	<b>PC100</b>	<b>PC100</b>



M5100P9



M5100R9

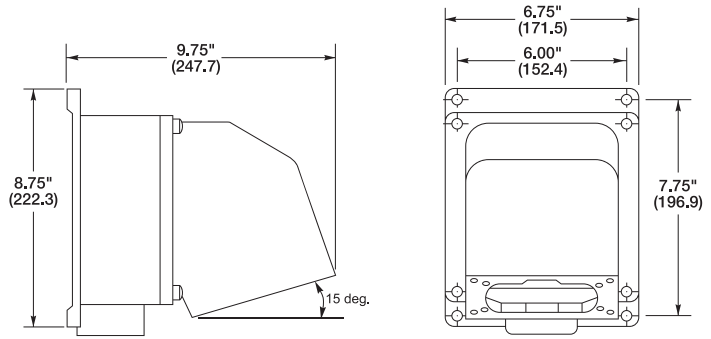


M5100C9

#### Replacement Parts

Replacement lift cover assembly; includes cover, arm and assembly tool.	<b>CA100</b>	<b>CA100</b>
Replacement locking ring and cord clamp.	<b>CC100</b>	<b>CC100</b>
Replacement locking ring only.	<b>LR100</b>	<b>LR100</b>

Note: Periodic cleaning and lubrication (such as LPS-1® made by Holt Lloyd Corp.) of the pins and sleeves of these devices is necessary to enjoy years of optimal use.

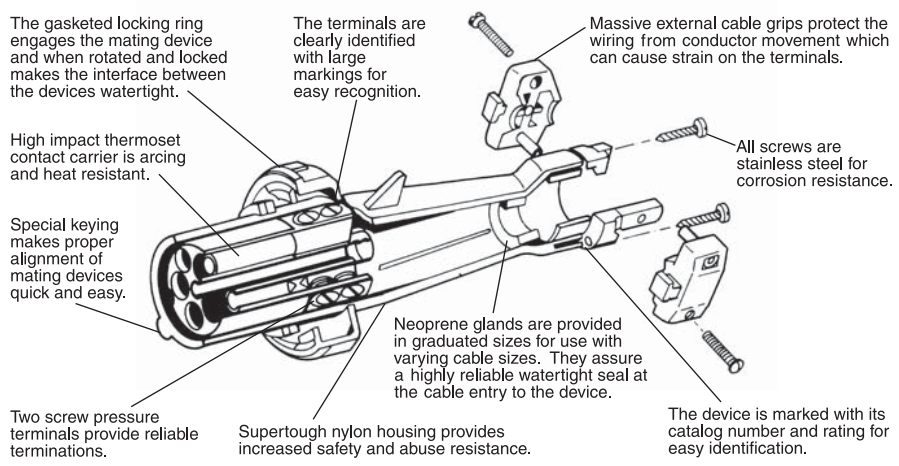


FW60100



FW60100

#### 100A Connector Body



PC100



CA100

Zytel® is a registered trademark of E.I. DuPont.







Marine Products  
**200 Ampere, 600V AC/250V DC, 50-400 Hertz**  
 4 Pole 5 Wire  
**Ship-to-Shore Devices**



Hubbell was the first to offer a marine-ized UL listed 100 AMP Ship-To-Shore System...and now, we are the first to offer a marine-ized, UL listed 200 AMP ship-to-shore system.

Hubbell's 200 AMP Ship-To-Shore System is:

- NEMA 4X rated for superior water resistance.
- Made of copper-free aluminum with an electrostatically applied epoxy/polyester finish.
- Accepts a cord range of #1 AWG – 250 MCM.
- Pin and sleeves are made of nickel-plated Tellurium copper for superior corrosion and heat resistance.

And

Fully interchangeable with UL 1686 configured and listed devices such as Crouse-Hinds® Arktite® or Appleton® Powertite® (when installed in accordance with instructions furnished with device).



M5200BS1R



200A  
600V AC/250V DC

**200A 600V Ship-to-Shore Devices**

**Description**

Gray metallic watertight shore power inlet with wingnut-secured lid for water tightness when not in use.

**Catalog Numbers**

M5200BS1R

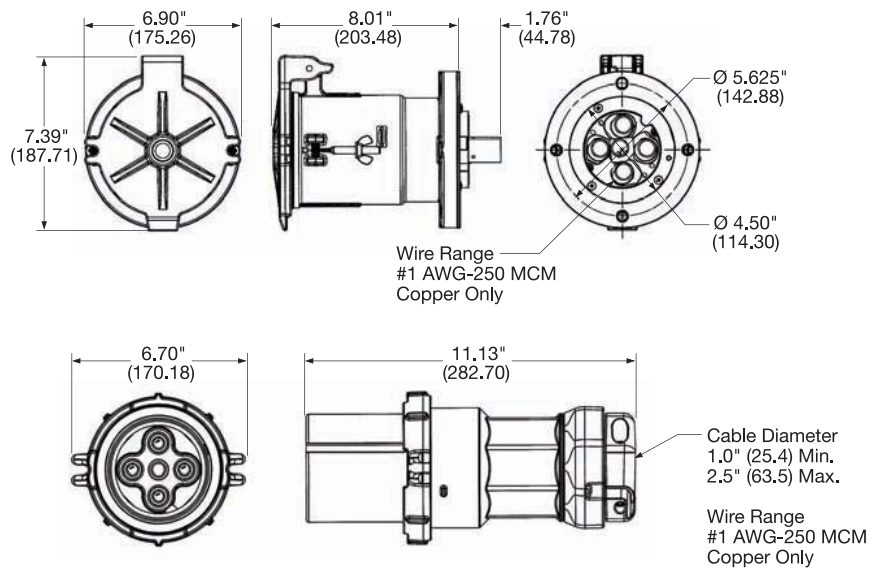
Gray/yellow metallic watertight connector body with locking ring to make inlet/connector body interface watertight. Cord range is #1 AWG-250 MCM (0.653 max. conductor diameter).

M5200CS1R



M5200CS1R

**Dimensions**



Marine Products  
**200 Ampere, 600V AC/250V DC, 50-400 Hertz**  
 4 Pole 5 Wire  
**Ship-to-Shore Devices**



200A  
600V AC/250V DC



**200A 125/250V Ship-to-Shore Devices**

Description	Catalog Numbers
Gray/yellow metallic watertight plug with locking ring to make plug/receptacle interface watertight. Cord grip range is #1 AWG-250 MCM (0.653 max. conductor diameter).	<b>M5200PS1</b>
Gray metallic, watertight dockside receptacle with wing nut-secured lid for water tightness when not in use.	<b>M5200RS1</b>
Gray/yellow metallic watertight connector body with wing nut-secured lid for water tightness when not in use. For making plug/connector body interface on extension cords or adapters.	<b>M5200CS1</b>
Gray metallic Back Box for inlets and receptacles has 15° angle section which can be installed in any of 4 positions, 2.0 in. N.P.T. hub.	<b>MB2003W</b>
Gray metallic Back Box – same as above but 2½ in. N.P.T. hub.	<b>MB2004W</b>



**M5200PS1**



**M5200RS1**

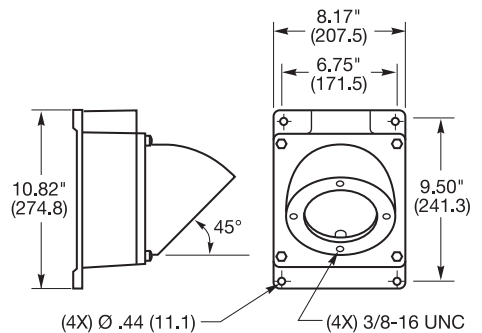
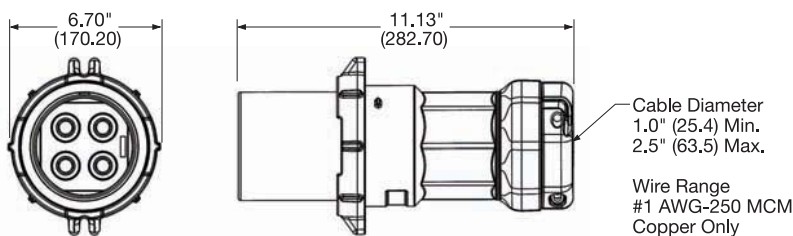
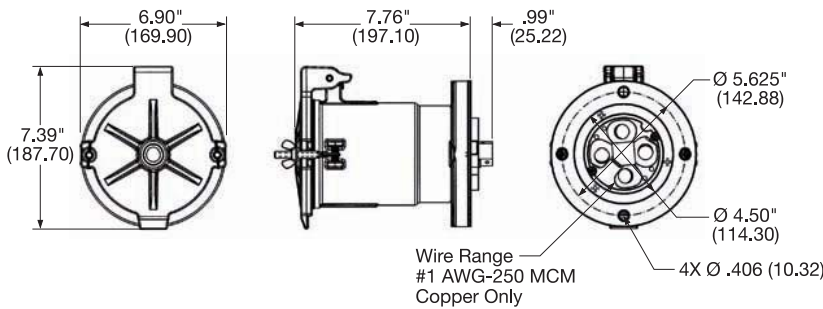
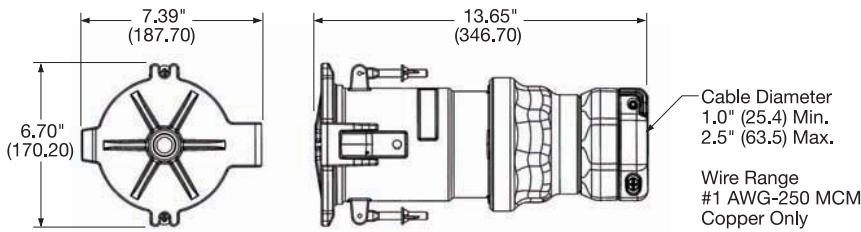


**M5200CS1**



**MB2003W**

**Dimensions**







Marine Products

**Internationally Rated Twist-Lock® Devices**

16, 32 Ampere, 230 Volt

**IP56**  
SUITABILITY



**HBL316NM**  
**HBL332NM**

Hubbell offers the only CE certified electrical shore power system truly dedicated for boats destined for Europe and the International community. Hubbell's offering of international shore power inlets are available in traditional 3/16-inch stainless steel and attractive white non-metallic types resembling our domestic offering in style and appearance but are not interchangeable with the domestic shore power system.

Utilizing standard NEMA (National Electrical Manufacturer's Association) configurations not typically used in the marine market, Hubbell can offer a safe and non-interchangeable 16 Amp 230 Volt system and 32 Amp 230 Volt system for use with 50 cycle systems. The system includes white power supply cables (one-end, female only) in both the 16 Amp and 32 Amp categories.



**HBL316SSX**  
**HBL332SSX**

**16A 230V Ship-To-Shore Power System**

Description	Catalog Numbers
Non-metallic, white, stylized, U.V. resistant shore power inlet. White Centrex cover makes the inlet weatherproof when closed. Mounting holes are 2.38 in. (60.3) on centers and match most existing mounting patterns. Rear enclosure strain/relief cap is provided.	<b>HBL316NM</b>
Traditional, stainless steel shore power inlet has new easy-to-wire terminations. Interior is transparent for quick and easy visual inspection. Interior is shielded from the elements by a gasketed, self-closing cover, watertight when cover is screwed in place. Mounting holes are 2.38 in. (60.3) on centers. Mounting screws and gasket included. Protective rear enclosure/strain relief also included.	<b>HBL316SSX</b>
25 ft. (7.6m) white, vinyl jacketed power supply cord with female (boat side) end only; other end blunt cut.	<b>HBL316CSW25</b>
50 ft. (15.2m) white, vinyl jacketed power supply cord with female (boat side) end only; other end blunt cut.	<b>HBL316CSW</b>
Yellow locking connector replacement end for HBL316CSW25 and HBL316CSW. <b>IP20 SUITABILITY.</b>	<b>HBL316CRC</b>
White Seal-Tite® cover with threaded sealing ring for use with HBL316CRC and HBL332CRC connector bodies. <b>IP55 SUITABILITY.</b>	<b>HBL103RX</b>



**HBL316CSW25**  
**HBL316CSW**  
**HBL332CSW**

**32A 230V, 50 Cycle Ship-To-Shore Power System**

Description	Catalog Numbers
Non-metallic, white, stylized, U.V. resistant shore power inlet. White Centrex cover makes the inlet weatherproof when closed. Mounting holes are 2.38 in. (60.3) on centers and match most existing mounting patterns. Rear enclosure/strain relief cap is provided.	<b>HBL332NM</b>
Traditional, stainless steel shore power inlet has new easy-to-wire terminations. Interior is transparent for quick and easy visual inspection. Interior is shielded from the elements by a gasketed, self-closing cover, watertight when cover is screwed in place. Mounting holes are 2.38 in. (60.3) on centers. Mounting screws and gasket included. Protective rear enclosure/strain relief also included.	<b>HBL332SSX</b>
50 ft. (15.2m) white, vinyl jacketed power supply cord with female (boat side) end only; other end blunt cut.	<b>HBL332CSW</b>
Yellow locking connector replacement end for HBL332CSW. <b>IP20 SUITABILITY.</b>	<b>HBL332CRC</b>
White Seal-Tite cover with threaded sealing ring for use with HBL316CRC and HBL332CRC connector bodies. <b>IP55 SUITABILITY.</b>	<b>HBL103RX</b>



**HBL316CRC**  
**HBL332CRC**



**HBL103RX**

# Internationally Rated Pin and Sleeve Devices

16, 32, 63 Ampere, 240 Volt



**IP67**  
SUITABILITY

Devices are rated in either 16A, 32A or 63A, 240V, 2 pole plus earth (⊕).

## 16A 240V, 2 Pole + ⊕

Description	Catalog Numbers
Shore power inlet with mounting holes 3.13 in. (79.3) on centers and 2.72 in. (69.1) diameter on rear portion.	<b>HBL316B6W</b>
Connector body with cord grip range of .36-.83 in. (9.1-21.1).	<b>HBL316C6W</b>
Shore power receptacle with mounting holes 3.13 in. (79.3) on centers and 2.72 in. (69.1) diameter on rear portion.	<b>HBL316R6W</b>
Plug with cord grip range of .36-.83 in. (9.1-21.1).	<b>HBL316P6W</b>
Closure plug for HBL316B6W. Not CSA.	<b>PC320</b>
Back box for inlets and receptacles is cast aluminum with corrosion resistant alkyd-based enamel finish and two ¼ in. N.P.T. hubs.	<b>BB201W</b>
Feed-thru box for inlets and receptacles is cast aluminum with corrosion resistant alkyd-based enamel finish and one ¼ in. N.P.T. hubs.	<b>FT202W</b>



**HBL316B6W**



**HBL316R6W**

## 32A 240V, 2 Pole + ⊕

Description	Catalog Numbers
Shore power inlet with mounting holes 3.13 in. (79.3) on centers and 2.72 in. (69.1) diameter on rear portion.	<b>HBL332B6W</b>
Connector body with cord grip range of .45-1.25 in. (11.4-31.8).	<b>HBL332C6W</b>
Shore power receptacle with mounting holes 3.13 in. (79.3) on centers and 2.72 in. (69.1) diameter on rear portion.	<b>HBL332R6W</b>
Plug body with cord grip range of .45-1.25 in. (11.4-31.8).	<b>HBL332P6W</b>
Closure plug for HBL332B6W. Not CSA.	<b>PC3430</b>
Back box for inlets and receptacles is cast aluminum with corrosion resistant alkyd-based enamel finish and one 1.0 in. N.P.T. hub.	<b>BB301W</b>



**HBL332C6W**



**HBL332R6W**

## 63A 240V, 2 Pole + ⊕

Description	Catalog Numbers
Shore power inlet with mounting holes 3.88 in. (98.4) on centers and 3.94 in. (88.1) diameter on rear portion.	<b>HBL363B6W</b>
Connector body with cord grip range of .70-1.45 in. (17.8-36.8).	<b>HBL363C6W</b>
Shore power receptacle with mounting holes 3.88 in. (98.4) on centers and 3.94 in. (88.1) diameter on rear portion.	<b>HBL363R6W</b>
Plug body with cord grip range of .70-1.45 in. (17.8-36.8).	<b>HBL363P6W</b>
Closure plug for HBL363B6W. Not CSA.	<b>PC60</b>
Back box with 1½ in. N.P.T. hub.	<b>BB601W</b>
Back box for inlets and receptacles has 15° angle section which can be installed in any of four positions. Box is cast aluminum with corrosion resistant gray alkyd-based enamel finish and 1½ in. N.P.T. hub which can be mounted for either top or bottom feed.	<b>FW60100</b>



**PC60**



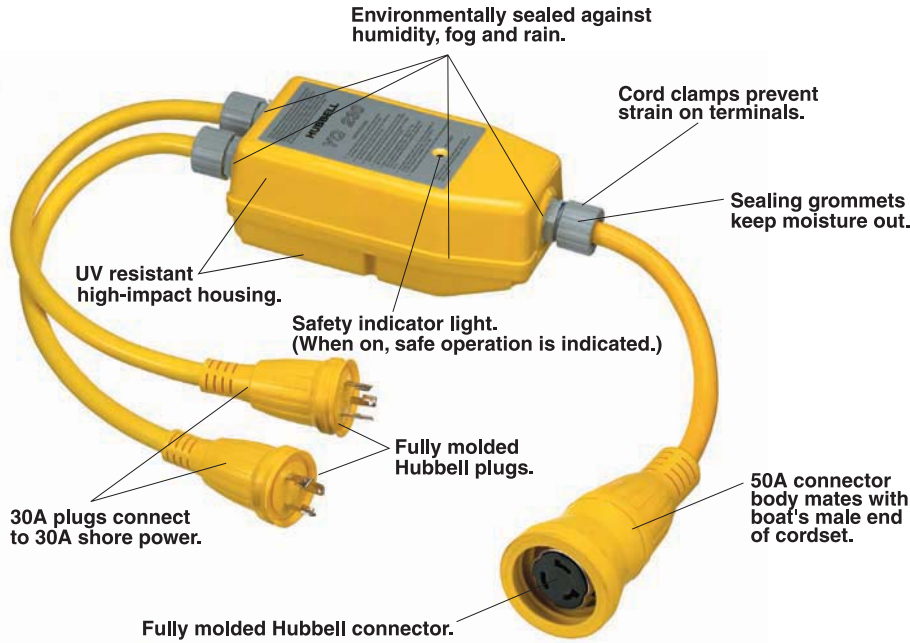
**BB601W**





# Marine Products Intelligent Y Adapters

**YQ230** - Safely powers a 50A, 125/250V AC boat from two 30A, 125V AC receptacles at dockside.



**Application:**

**Problem:** A boat owner with one electrical system on board docks in a marina that can only provide a different electrical system.

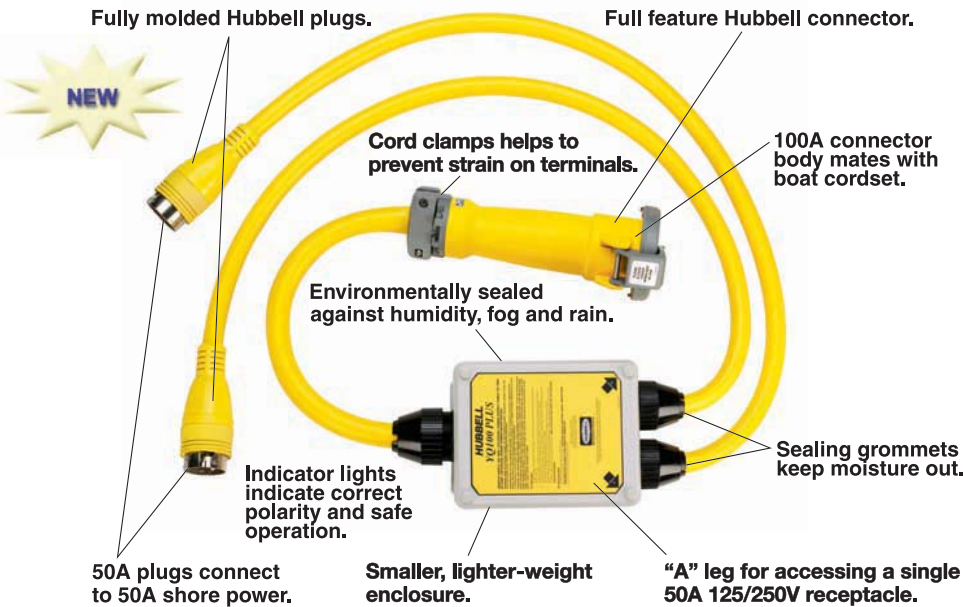
**Solution:** Use of the Hubbell YQ series of Intelligent Adapters can correct many electrical system mismatches.

**Features and Benefits:**

- 3 pole contactor breaks both hots and neutrals to prevent possibility of “live” plug when not engaged.
- Combines two oppositely-phased 30A, 125V receptacles to provide 30 amp, 125/250 volts of power.

*Note: The YQ230 Adapter will only work with two 30A receptacles that are on different phases.*

**YQ100PLUS** - Safely powers a 100A, 125/250V AC boat from two 50A 125/250V AC receptacles at dockside -or- from a single 50A 125/250V AC receptacle acting as a single adapter.



**Internal Logic Senses That:**

- Both plugs are fully engaged (i.e., one is not dangling loose while the other is plugged in) -or- the “A” leg plug is engaged to access a single 50A, 125/250V receptacle.
- The polarity of the receptacle on the dock is correct (i.e., no mis-wiring of the hot and neutral wires).
- The two receptacles are from correct phases.

*Note: The YQ100PLUS Adapter must be plugged into two 50A, 125/250V AC receptacles that are on the same phase to achieve 100 amp, 125/250 volts power -or- the “A” leg 50A male into a single 50A, 125/250V AC receptacle to achieve 50 amp, 125/250 volts power.*

**Intelligent Y Adapters**

Description	Catalog Numbers
Adapter that permits use of 50A, 125/250V AC cable set. (HBL61CM52), with two 30A, 125V AC receptacles, HBL26CM10.	<b>YQ230</b>
Adapter that permits use of 100A, 125/250V AC cable set. (CS754, CS1004) with one or two 50A, 125/250V AC receptacles, 63CM69.	<b>YQ100PLUS</b>





# Marine Products

## Adapter Selection Guide

Boat/Cable Set Side	Molded Straight Adapters		Power Center/Dock Side
Connector Body (Female End)		Catalog Number	Plug (Male End)
15A 125V, 2P 3W Straight		<b>HBL105GF*</b>	30A 125V, 2P 3W Twist-Lock®
30A 125V, 2P 3W Twist-Lock®		<b>HBL61CM22</b> <b>HBL61CM22W</b>	15A 125V, 2P 3W Straight Blade (lock type)
30A 125V, 2P 3W Twist-Lock		<b>HBL61CM25</b>	20A 125V, 2P 3W Twist-Lock
50A 125V, 2P 3W Twist-Lock		<b>HBL61CM54</b>	15A 125V, 2P 3W Straight Blade
30A 125V, 2P 3W Twist-Lock		<b>HBL61CM55</b>	50A 125V, 2P 3W Twist-Lock
50A 125V, 2P 3W Twist-Lock		<b>HBL61CM56</b>	30A 125V, 2P 3W Twist-Lock
50A 125/250V, 3P 4W Twist-Lock		<b>HBL61CM59</b>	50A 125/250V, 3P 4W Crow Foot
30A 125V, 2P 3W Twist-Lock		<b>HBL61CM71</b>	50A 125/250V, 3P 4W Twist-Lock
50A 125V, 2P 3W Twist-Lock		<b>HBL61CM72</b>	50A 125/250V, 3P 4W Twist-Lock
100A 125/250V, 3P 4W Pin/Sleeve		<b>HBL61CM100</b>	50A 125/250V, 3P 4W Twist-Lock

### Molded "Y" Adapters

(2) 30A 125V, 2P 3W Twist-Lock			<b>HBL64CM54</b>	50A 125/250V, 3P 4W Twist-Lock
(2) 50A 125V, 2P 3W Twist-Lock			<b>HBL64CM55</b>	50A 125/250V, 3P 4W Twist-Lock
(2) 30A 125V, 2P 3W Twist-Lock			<b>HBL64CM56</b>	30A 125V, 2P 3W Twist-Lock
(2) 30A 125V, 2P 3W Twist-Lock			<b>HBL64CM57</b>	50A 125V, 2P 3W Twist-Lock
(2) 30A 125V, 2P 3W Twist-Lock			<b>HBL64CM59</b>	50A 125/250V, 3P 4W Crow Foot

### One Piece Adapters

30A 125V, 2P 3W Twist-Lock		<b>HBL31CM28</b>	15A 125V, 2P 3W Straight Blade
15 or 20A 125V, 2P 3W Straight Blade		<b>HBL31CM29</b>	30A 125V, 2P 3W Twist-Lock
20A 125V, 2P 3W Twist-Lock		<b>HBL21CM28</b>	15A 125V, 2P 3W Straight Blade
15 or 20A 125V, 2P 3W Straight Blade		<b>HBL21CM29</b>	20A 125V, 2P 3W Twist-Lock

Note: See following two pages for photographs and descriptions.

\* Provides GFCI Protection





# Marine Products

## Molded Straight Adapters

**IP65**  
SUITABILITY



HBL21CM28



HBL21CM29




HBL31CM28



HBL31CM29

### Molded Straight Adapters

Description	Catalog Numbers
Permits use of 20A 125V Twist-Lock® locking type plug with 15 or 20A 125V straight blade receptacle. <b>IP20 SUITABILITY.</b>	<b>HBL21CM28†</b>
Permits use of 15A or 20A 125V straight blade plug with 20A 125V Twist-Lock locking type receptacle. <b>IP20 SUITABILITY.</b>	<b>HBL21CM29†</b>
Permits use of 30A 125V Twist-Lock locking type plug with 15 or 20A 125V straight blade receptacle. <b>IP20 SUITABILITY.</b>	<b>HBL31CM28</b>
Permits use of 15A or 20A 125V straight blade plug with 30A 125V Twist-Lock locking type receptacle. <b>IP20 SUITABILITY.</b>	<b>HBL31CM29</b>
Permits use of 30A 125V cable set, HBL61CM08, with 15 or 20A 125V straight blade receptacle. Anchor locking screw on plug when screwed down resists pullout of the cable set.	<b>HBL61CM22</b>
Same as HBL61CM22, except white.	<b>HBL61CM22W</b>
Permits use of 30A 125V cable set, HBL61CM08, with 20A 125V Twist-Lock receptacle, HBL23CM10.	<b>HBL61CM25</b>
Permits use of 50A 125V cable set, HBL61CM53, with 15 or 20A 125V straight blade receptacle.	<b>HBL61CM54</b>
Permits use of 30A 125V cable set, HBL61CM08, with 50A 125V Twist-Lock receptacle, HBL63CM70.	<b>HBL61CM55</b>
Permits use of 50A 125V cable set, HBL61CM53, with 30A 125V Twist-Lock receptacle, HBL26CM10.	<b>HBL61CM56</b>
Permits use of 50A 125/250V Twist-Lock locking type cable set, HBL61CM52, with 50A 125/250V crow foot straight blade receptacle HBL7962.	<b>HBL61CM59</b>
Permits use of 30A 125V cable set, HBL61CM08, with 50A 125/250V Twist-Lock receptacle, HBL63CM69.	<b>HBL61CM71</b> ^
Permits use of 50A 125V cable set, HBL61CM53, with 50A 125/250V Twist-Lock receptacle, HBL63CM69.	<b>HBL61CM72</b> ^
Permits use of 15A 125V 3 wire straight blade plug with 15 or 20A 125V 2 wire straight blade receptacle.	<b>HBL5273L</b> †
Permits a 100 amp 125/250 volt cable set to plug into a single 50 amp 125/250 volt outlet.	<b>HBL61CM100</b> 
Permits use of 15A straight blade plug with 30A 125V Twist-Lock receptacle; with GFCI protection.	<b>HBL105GF</b> 

Notes: † UL listed.

Adapters do not provide overcurrent protection.

Adapters do not provide GFCI protection except HBL105GF.

^ The male plug end (50A 125/250V) has a blade removed and the blade slot filled with epoxy. Omitting the blade ensures achieving 125V safely.



HBL61CM22



HBL61CM25



HBL61CM54



HBL61CM55



HBL61CM59



HBL61CM56



HBL61CM100



HBL105GF



HBL61CM71 ^



HBL61CM72 ^



# Marine Products

## Molded Y Adapters

**IP65**  
SUITABILITY

### Molded Y Adapters

Description	Catalog Numbers
Permits use of two 30A 125V cable sets, HBL61CM08, with one 50A 125/250V receptacle, HBL63CM69.	<b>HBL64CM54</b>
Permits use of two 50A 125V cables sets, HBL61CM53, with one 50A 125/250V receptacle, HBL63CM69.	<b>HBL64CM55</b>
Permits use of two 30A 125V cable sets, HBL61CM08, with one 30A 125V receptacle, HBL26CM10.	<b>HBL64CM56</b>
Permits use of two 30A 125V cable sets, HBL61CM08, with one 50A 125V receptacle, HBL63CM70.	<b>HBL64CM57</b>
Permits use of two 30A 125V cable sets, HBL61CM08, with one 50A 125/250V crow-foot straight receptacle, HBL7962.	<b>HBL64CM59</b>

*Notes: The adapters shown on this page are not UL Listed because of the nature of adapters with their variety of ratings.  
Adapters do not provide overcurrent protection.  
Adapters do not provide GFCI protection except HBL105GF.*



**HBL64CM54**



**HBL64CM55**



**HBL64CM56**



**HBL64CM59**



**HBL64CM57**







Marine Products  
**Telephone and Cable TV Devices**  
 Ship-to-Shore Devices



HBLPHTVNM



HBLPHTVSS



HBLTVSS



PH6625



PH6624



PH7440

**Telephone and Cable TV Ship-to-Shore Devices**

Description	Catalog Numbers
Stylized non-metallic inlet provides telephone and cable TV connections in one unit. UV resistant white Centrex® cover makes unit weatherproof when completely closed. Mounting holes are 2.38 in. (60.3) on centers and match existing mounting patterns. Mounting screws and gasket provided. <b>IP56 SUITABILITY.</b>	HBLPHTVNM
Stylized Type 316 stainless steel inlet provides telephone and cable TV connections in one unit. Easy to use push-button latch makes unit watertight when fully engaged. Mounting holes are 2.38 in. (60.3) on centers and match existing mounting patterns. Mounting screws and gasket provided. <b>IP56 SUITABILITY.</b>	HBLPHTVRI Δ
Traditional stainless steel inlet provides connections for telephone and cable TV in one unit. Connections can be used individually or together. Gasketed cover is self-closing so interior is shielded from the elements when not in use. Watertight when cover is screwed in place. Mounting holes are 2.38 in. (60.3) on centers. Mounting screws and gasket included. <b>IP56 SUITABILITY.</b>	HBLPHTVSS
Same as HBLPHTVSS above except no phone.	HBLTVSS
Replacement int. for PH6594TV and HBLPHTVSS series inlets.	CR16914
Factory pre-wired 50 ft. (15.2m) telephone cable set. Uses 3 conductor, #16 AWG type SJTO, yellow vinyl cord for marine and recreational vehicle applications. <b>IP55 SUITABILITY.</b>	PH6599
Same as PH6599 except white.	PH6599W
Same as PH6599 except 25 ft. (7.6m) in length.	PH6598
Same as PH6598 except white.	PH6598W
Black locking type plug for telephone cable sets or adapters.	PH6625
Black locking type connector body used on telephone cable sets or adapters.	PH6624
Yellow Seal-Tite® cover for weatherproofing PH6624 connector body on cable sets when connecting to an inlet and for weatherproofing PH6625 plug. <b>IP55 SUITABILITY.</b>	PH7440
Yellow Seal-Tite cover for weatherproofing PH6624 connector body when used on extension cords or adapters. <b>IP55 SUITABILITY.</b>	PH7499

Note: Δ To be discontinued when present stocks are exhausted.



PH6599  
 PH6599W  
 PH6598  
 PH6598W

Centrex® is a registered trademark of LANXESS Corporation.



# Marine Products

## Telephone and Cable TV Devices

### Ship-to-Shore Devices

**IP55**  
SUITABILITY

#### Telephone and Cable TV Ship-to-Shore Devices

Description	Catalog Numbers
Black polycarbonate combination telephone/TV outlet with spring-loaded weatherproof lift cover. Can be wired for telephone service only or for telephone and MATV/CATV services in one FS/FD box in both marinas and RV parks. Can be padlocked to prevent unauthorized use.	PH6597TV
Black polycarbonate telephone outlet has gasketed, spring-loaded lift cover for weatherproofing. Designed for mounting to FS/FD type weatherproof boxes (like PH6619) in both marinas and RV parks.	PH6597
Black polycarbonate cable TV outlet has coax connector and gasketed, spring-loaded lift cover for weatherproofing. Designed for mounting to FS/FD type weatherproof boxes (like PH6619) in both marinas and RV parks.	TV97
Black polycarbonate telephone outlet has gasketed, spring-loaded lift cover for weatherproofing. Can be used to retrofit old style telephone outlets of Pauluhn Manufacturing Company (2833 and 2843) in both marinas and RV parks.	PH6596
Black non-metallic FS box with 3/4 in. threaded hubs used for mounting phone and TV outlets and PH6595 recreational vehicle inlet (see PH6621 for mounting box on recreational vehicle). Cord connector included for strain relief and to maintain watertight integrity of box when cable is used. PVC adapter also included for connection of PVC conduit to box.	PH6619
Stainless steel bracket for mounting PH6619 FS box to recreational vehicles when used with PH6595 inlet.	PH6621
Black polycarbonate RV inlet for telephone connection only. Has spring-loaded, gasketed weatherproof lift cover designed for mounting to FS/FD type weatherproof boxes.	PH6595
50 ft. (15.2m) yellow jacketed ship-to-shore TV cable set is the industry standard 75 Ohm, RG59-U with male plugs on both ends. Adapter included for a quick, slip-on connection to inlet on boat.	TV99
Same as TV99 except white.	TV99W
Same as TV99 except 25 ft. (7.6m) in length.	TV98
Same as TV98 except white.	TV98W



PH6597TV



TV97



PH6597



PH6596



PH6619



PH6595



TV99  
TV99W  
TV98  
TV98W





Marine Products

# 30 Ampere, 28 Volt DC Rated

Electric Fishing Reel Devices



HBL328DCR



HBL328DCP



HBL328DCC



HBL6080



HBL74CM25WOA

### Electric Fishing Reel Devices

Hubbell has a DC rated electrical system designed specifically for larger electric fishing reel systems.

Up until now, larger electric fishing reel systems typically utilized conventional 30 Amp AC rated devices since an appropriately rated DC system was not available.

The system features a corrosion resistant plug, connector body and receptacle and can be used along with a Hubbell outlet box and weatherproof cover plate to complete the installation. These devices are all rated at 28 volts DC and are applicable for all 12, 24 and 32 volt DC fishing reel systems. The devices are UL listed and CSA certified. All devices are made of high-visibility yellow nylon that is impact resistant and U. V. stabilized for longer life. Also, the contacts are nickel plated for corrosion resistance.

### Electric Fishing Reel Devices

Description	Catalog Numbers
Yellow locking single receptacle with abuse-resistant face. Can be mounted in Hubbell box HBL6080 and used with HBL74CM25WOA weatherproof plate.	HBL328DCR
Yellow locking plug has rugged nylon housing and rear dust seal to keep dust and foreign matter out.	HBL328DCP
Yellow locking connector body has rugged, nylon housing and rear dust seal to keep dust and foreign matter out.	HBL328DCC

### Accessories

Description	Catalog Numbers
Black phenolic type FD (deep) weatherproof box has two 3/4 in. (19.1) I.P.S. molded-in knockouts. 4.56 in. H x 2.94 in. W x 3.25 in. D (115.9 x 74.6 x 82.6) and has 22 cubic inch capacity.	HBL6080
Spring-loaded lift cover, for weatherproofing HBL328DCR outlet. Yellow in color.	HBL74CM25WOA
Same as HBL74CM25WOAW except white in color.	HBL74CM25WOAW
Same as HBL74CM25WOAW except gray in color.	HBL7425WOA










# Marine Products

## 12 Volt DC Rated Switches

Panel Mount Toggle and Rocker Switches

### KEY CHART

				
<b>M11SP</b>	<b>M11LRGSP</b>	<b>M11LTR</b>	<b>MR11SP</b>	<b>MR123LRSP</b>
<b>1. Toggle switch</b> Fits panels up to ¼ in. thick when not using the back-up nut provided; fits panels up to ⅜ in. thick when using the back-up nut. Requires a ½ in. mounting hole.	<b>2. Lighted toggle switch</b> Built-in pilot light (R=red, G=green) for night vision. Same panel specs as 1.	<b>3. Lighted-tip toggle switch</b> Red pilot light visible in tip of toggle only. Same panel specs as 1.	<b>4. Rocker switch</b> Requires a 1½ in. high x ⅞ in. wide rectangular opening.	<b>5. Lighted rocker switch</b> Built-in pilot light for night vision. Same panel specs as 4.

	Typical Applications	Description	Catalog Numbers	Key
 <b>M11SP</b>	Lights, bilge blower, bilge pump(s), accessories	Single pole, single throw. On/Off.	<b>M11SP</b> <b>M11LRSP</b> <b>M11LRGSP</b> <b>M11LTR</b> <b>MR11SP</b> <b>MR11LRSP</b>	1 2 2 3 4 5
 <b>M11MSP*</b>	Horn, starter, winches, gauges	Single pole, single throw. Momentary On/Off.	<b>M11MSP*</b> <b>M11LTRM</b> <b>MR11MSP</b>	1 3 4
 <b>M123SP</b>	Bilge pumps, speed selector, lights, navigation lights	Single pole, double throw. On/Off/On.	<b>M123SP</b> <b>M123LTR</b> <b>MR123SP</b> <b>MR123LRSP</b>	1 3 4 5
 <b>M123MSP</b>	Bilge pumps	Single pole, double throw. Momentary On/Off/On.	<b>M123MSP</b> <b>MR123MSP</b>	1 4
 <b>M21SP</b>	Trim Tabs	Single pole, double throw. Momentary On/Off/Momentary On.	<b>M123MMSP</b> <b>MR123MMSP</b>	1 4
 <b>M223SP</b>	Lights, accessories	Double pole, single throw. On/Off.	<b>M21SP</b> <b>MR21SP</b>	1 4
 <b>M223SP</b>	Navigation lights, wipers, dual fuel tanks	Double pole, double throw. On/Off/On.	<b>M223SP</b> <b>MR223SP</b> <b>MR223LRSP</b>	1 4 5
 <b>M223JSP</b>	Navigation lights, windlass	Double pole, double throw. On/Off/On (with jumper).	<b>M223JSP</b>	1
 <b>MSB1</b>	Winches, trim tabs, dual fuel tanks	Double pole, double throw. Momentary On/Off/Momentary On.	<b>M223MMSP</b> <b>MR223MMSP</b>	1 4
 <b>MSB1</b>	Provides positive seal against moisture, oil, etc. Fits any non-lighted toggle switch.	Black silicone rubber boot bonded to brass nut.	<b>MSB1</b>	
 <b>MH11</b>	For remote operation of horn.	Push-button horn switch with 15/32 in. long nickel plated brass mounting stem. Terminals are .25 in. spade.	<b>MH11</b>	
 <b>MHB11</b>	Fits MH11 horn switch.	Black push-button (horn) boot.	<b>MHB11</b>	







Marine Products

# 15 Ampere, 125 Volt AC Twist-Lock® Devices

2 Pole 3 Wire



HBL47CM00



HBL52CM21



HBL47CM20C



HBL60CM23



HBL47CM29C



HBL60CM24



HBL47CM15



HBL47CM16



## 15A 125V AC Twist-Lock® Devices

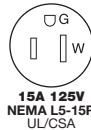
Description	Catalog Numbers
Yellow duplex receptacle has heat resistant body. <b>IP20 SUITABILITY.</b>	<b>HBL47CM00</b>
Yellow Valox® spring-loaded lift cover for weatherproofing duplex receptacles. Stainless steel screws and neoprene gasket included for mounting to FS/FD type weatherproof boxes. <b>IP20 SUITABILITY.</b>	<b>HBL52CM21</b>
Same as HBL52CM21 except white in color.	<b>HBL52CM21W</b>
Same as HBL52CM21 except gray in color.	<b>HBL5221</b>
Same as HBL52CM21 except for mounting to standard boxes.	<b>HBL52CM22</b>
Same as HBL52CM22 except gray in color.	<b>HBL5222</b>
Yellow Insulgrip® plug has rugged nylon housing and detachable cord grip with range of .30-.69 in. (7.5-17.4) that utilizes a unique offset jaws arrangement to provide secure strain relief.	<b>HBL47CM20C</b>
Short yellow Seal-Tite® cover for weatherproofing HBL47CM20C Insulgrip plug when used with receptacles or connector bodies. Also can be used to weatherproof HBL47CM29C Insulgrip connector body when used with HBL47CM16 flanged inlet. <b>IP55 SUITABILITY.</b>	<b>HBL60CM23+</b>
Yellow Insulgrip connector body has rugged nylon housing and detachable cord grip with range of .30-.69 in. (7.5-17.4) that utilizes a unique offset jaws arrangement to provide secure strain relief.	<b>HBL47CM29C</b>
Yellow Seal-Tite cover for weatherproofing HBL47CM29C Insulgrip connector body when used on extension cords and adapters. <b>IP20 SUITABILITY.</b>	<b>HBL60CM24+</b>
Panel mount flanged outlet has heat resistant melamine interior and stainless steel casing. <b>IP20 SUITABILITY.</b>	<b>HBL47CM15</b>
Panel mount flanged inlet has heat resistant melamine interior and stainless steel casing. <b>IP20 SUITABILITY.</b>	<b>HBL47CM16</b>
Three conductor, #14 AWG type STW, yellow PVC jacketed portable cord has jute fillers for added flexibility and is ideal for making cable sets, extension cords and adapters as it will not mark the boat's deck. Available in 250 ft. (76.2m) length only.	<b>YC314250</b>

Note: + Boots are not UL listed.

Valox® is a trademark of SABIC Innovative Plastics, acquired from General Electric Company.



**IP20**  
SUITABILITY



## 15A 125V AC Straight Blade Devices

Description	Catalog Numbers
Yellow single receptacle features Rynite® body and abuse resistant nylon face.	<b>HBL52CM61</b>
Yellow corrosion resistant duplex receptacle. Use where salt or other corrosive elements are a problem.	<b>HBL52CM62</b>
Same as HBL52CM62 except ivory.	<b>HBL52CM62I</b>
Yellow Insulgrip® plug has rugged nylon housing and detachable cord grip with range of .23-.72 in. (5.8-18.3) that utilizes a unique offset jaws arrangement for secure strain relief.	<b>HBL52CM66C</b>
Yellow Seal-Tite® cover for weatherproofing straight blade Insulgrip plugs, HBL52CM66C and HBL53CM66C, when used with receptacles and connector bodies. Can also be used to weatherproof Insulgrip connector bodies when mating with flanged inlets. <b>IP55 SUITABILITY</b> . Not UL or CSA. Note: For Insulgrip® devices only.	<b>HBL60CM17+</b>
Yellow Insulgrip connector body has rugged nylon housing and detachable cord grip with range of .23-.72 in. (5.8-18.3) that utilizes a unique offset jaws arrangement for secure strain relief.	<b>HBL52CM69C</b>
Yellow Seal-Tite cover for weatherproofing straight blade Insulgrip connector bodies, HBL52CM69C and HBL53CM69C, on extension cords and adapters. <b>IP55 SUITABILITY</b> . Not UL or CSA. Note: For Insulgrip devices only.	<b>HBL60CM18+</b>
Yellow Valise® plug has one-piece nylon housing that assembles easily with two screws. Built-in cord grip has range of .22-.66 in. (5.6-16.8).	<b>HBL52CM66V</b>
Yellow Valise connector body has one-piece nylon housing that assembles easily with two screws. Built-in cord grip has range of .22-.66 in. (5.6-16.8).	<b>HBL52CM69V</b>
Yellow Insulgrip® plug with anchor locking screw to prevent accidental pull-out. The plug is "locked" into the receptacle when the screw is turned down so the head is flush with the plug surface. The cord grip range is .30-.69 in. (7.5-17.4). UL Recognized Component.	<b>HBL52CM80C</b>
Compact gray nylon panel mount inlet ideal for bass boat battery charging connection. Has gasketed spring-loaded lift cover for weatherproofing front and neoprene boot for weatherproofing rear. Will accept both 15A 125V and 20A 125V 2 pole 3 wire straight blade connector bodies.	<b>HBL61CM64</b>
Same as HBL61CM64 except black in color.	<b>HBL61CM64BK</b>
Yellow Valox® spring-loaded lift cover for weatherproofing duplex receptacles. Stainless steel screws and neoprene gasket included for mounting to FS/FD type weatherproof boxes.	<b>HBL52CM21</b>
Same as HBL52CM21 except gray in color.	<b>HBL5221</b>
Same as HBL52CM21 except for mounting to standard boxes.	<b>HBL52CM22</b>
Same as HBL52CM22 except gray in color.	<b>HBL5222</b>
Yellow Valox spring-loaded lift cover for weatherproofing single straight blade receptacles. Stainless steel screws and neoprene gasket included. For mounting to FS/FD type weatherproof boxes. <b>IP44 SUITABILITY</b> .	<b>HBL74CM23WO</b>
Same as HBL74CM23WO except gray in color.	<b>HBL7423WO</b>

Note: + Boots are not UL listed.  
\* Refer to page iv for TR and WR descriptions.



HBL52CM61 HBL52CM62



HBL52CM66C



HBL52CM69C



HBL52CM66V



HBL52CM69V



HBL52CM80C



HBL74CM23WO



HBL61CM64

Rynite® is a registered trademark of E. I. DuPont.  
Valox® is a trademark of SABIC Innovative Plastics, acquired from General Electric Company.



# Marine Products

## 20 Ampere, 125 Volt Twist-Lock® Devices

2 Pole 3 Wire



HBL23CM10



HBL74CM25WOA



HBL23CM11



HBL60CM31



HBL60CM32



HBL23CM11V



HBL26CM13



HBL60CM32V



HBL60CM31V

### 20A 125V Twist-Lock® Devices

Description	Catalog Numbers
Yellow single receptacle has Rynite® body and abuse resistant nylon face. <b>IP20 SUITABILITY.</b>	<b>HBL23CM10</b>
Yellow polycarbonate spring-loaded lift cover for weather-proofing HBL23CM10 receptacle. Meets the most stringent requirements of UL's three listing categories for weatherproof plates. Stainless steel screws and neoprene gasket included for mounting to FS/FD type weatherproof boxes. <b>IP44 SUITABILITY.</b>	<b>HBL74CM25WOA</b>
Same as HBL74CM25WOA except gray in color.	<b>HBL7425WOA</b>
Same as HBL74CM25WOA except white in color.	<b>HBL74CM25WOAW</b>
Yellow Insulgrip® plug has rugged nylon housing and cord grip with range of .36-.93 in. (9-24) that utilizes a unique offset jaws arrangement to provide secure strain relief. <b>IP20 SUITABILITY.</b>	<b>HBL23CM11</b>
Yellow Seal-Tite® cover for weatherproofing HBL26CM11 or HBL23CM11 plugs. <b>IP55 SUITABILITY.</b> Note: Fits Insulgrip devices only.	<b>HBL60CM31+</b>
Same as HBL60CM31 except white in color.	<b>HBL60CM31W+</b>
Yellow Insulgrip connector body has rugged nylon housing and cord with range of .36-.93 in. (9-24) that utilizes a unique offset jaws arrangement to provide secure strain relief. <b>IP20 SUITABILITY.</b>	<b>HBL23CM13</b>
Yellow Seal-Tite cover for weatherproofing HBL26CM13 or HBL23CM13 connector bodies when used on extension cords or adapters. <b>IP55 SUITABILITY.</b> Note: Fits Insulgrip devices only.	<b>HBL60CM32+</b>
Yellow vinyl Seal-Tite cover for weatherproofing HBL23CM13V or HBL26CM13V connector bodies. <b>IP55 SUITABILITY.</b> Note: Fits Valise® devices only.	<b>HBL60CM32V+</b>
Yellow Valise plug has one-piece nylon housing, assembles easily with two screws. Built-in cord grip has range of .33-.72 in. (8.3-18.2). <b>IP20 SUITABILITY.</b>	<b>HBL23CM11V</b>
Yellow Seal-Tite cover for weatherproofing HBL23CM11V or HBL26CM11V plugs. <b>IP55 SUITABILITY.</b> Note: Fits Valise devices only.	<b>HBL60CM31V+</b>
Three conductor, #12 AWG type STW, yellow PVC jacketed portable cord with jute fillers for added flexibility. Ideal for making cable sets, extension cords and adapters as will not mark boat's deck. Available in 250 ft. (76.2m) length only.	<b>YC312250</b>

Note: + Boots are not UL listed.

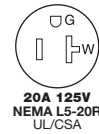
Rynite® is a registered trademark of E. I. DuPont.



## Marine Products

# 20 Ampere, 125 Volt AC Straight Blade Devices

2 Pole 3 Wire



### 20A 125V AC Straight Blade Devices

Description	Catalog Numbers
Yellow Insulgrip® plug has rugged nylon housing and detachable cord grip with range of .23-.72 in. (5.8-18.3) that utilizes unique offset jaws arrangement to provide secure strain relief. <b>IP20 SUITABILITY.</b>	<b>HBL53CM66C</b>
Yellow Insulgrip connector body has rugged nylon housing and cord grip with range of .23-.72 in. (5.8-18.3) that utilizes unique offset jaws arrangement for secure strain relief. <b>IP20 SUITABILITY.</b>	<b>HBL53CM69C</b>
Yellow Seal-Tite® cover for weatherproofing straight blade Insulgrip connector bodies, HBL52CM69C and HBL53CM69C, on extension cords and adapters. <b>IP55 SUITABILITY.</b> Note: For Insulgrip devices only.	<b>HBL60CM18+</b>
Yellow closure plug used with HBL60CM18 long Seal-Tite cover to prevent water from entering front of device when not in use. <b>IP55 SUITABILITY.</b>	<b>HBL60CM19+</b>
Yellow Seal-Tite cover for weatherproofing straight blade Insulgrip® plugs, HBL52CM66C and HBL53CM66C, when used to mate receptacles and connector bodies. Can also be used with Insulgrip connector bodies when mating with flanged inlets. <b>IP55 SUITABILITY.</b> Note: For Insulgrip devices only.	<b>HBL60CM17+</b>
Yellow duplex receptacle has Rynite® body. Receptacle accepts both 20A 125V and 15A 125V 2 pole 3 wire straight blade plugs. <b>IP20 SUITABILITY.</b>	<b>HBL53CM62</b>
Single version of HBL53CM62 duplex yellow receptacle. <b>IP20 SUITABILITY.</b>	<b>HBL53CM61</b>
Compact gray nylon panel mount outlet ideal for electric trolling motors and reel applications. Features gasketed spring-loaded lift cover for weatherproofing front and neoprene boot for weatherproofing rear. Accepts both 20A 125V and 15A 125V 2 pole 3 wire straight blade plugs. <b>IP55 SUITABILITY.</b>	<b>HBL61CM65</b>
Yellow polycarbonate spring-loaded lift cover for weatherproofing duplex receptacles. Stainless steel screws and neoprene gasket included for mounting to FS/FD type weatherproof boxes. <b>IP20 SUITABILITY.</b> Not CSA.	<b>HBL52CM21</b>
Same as HBL52CM21 except white in color.	<b>HBL52CM21W</b>
Same as HBL52CM21 except gray in color.	<b>HBL5221</b>
Same as HBL52CM21 except for mounting to standard boxes.	<b>HBL52CM22</b>
Same as HBL52CM22 except gray in color.	<b>HBL5222</b>
Yellow polycarbonate spring-loaded lift cover for weatherproofing single straight blade receptacles. Stainless steel screws and neoprene gasket included. For mounting to FS/FD type weatherproof boxes. <b>IP44 SUITABILITY.</b> Not CSA.	<b>HBL74CM23WO</b>
Same as HBL74CM23WO except gray in color.	<b>HBL7423WO</b>

Note: + Boots are not UL listed.



HBL53CM66C



HBL53CM69C



HBL60CM18  
HBL60CM19



HBL60CM17



HBL53CM62



HBL53CM61



HBL52CM21



HBL74CM23WO



HBL61CM65

Rynite® is a registered trademark of E. I. DuPont.





# Marine Products Portable Ground Fault Circuit Interrupters and Testers



GFP15M

### Portable Ground Fault Circuit Interrupters (GFCIs)

These UL Listed portable GFCIs have been designed to protect people from line-to-ground electrical shock hazards which may develop from faulty appliance, tools or defective portable cords. If a ground fault does occur and the leakage level exceeds 4 to 6 milliamperes, the GFCI unit quickly acts to protect the user by opening the circuit, thus interrupting the power supply and limiting the duration of any electrical current flow. After tripping, the module is reset by pushing a button on its face. A test button allows the user to test that the GFCI is in working order.

*Note: GFCI devices will not protect against overloads or short circuits.*



GFT2G

### Portable Ground Fault Circuit Interrupters and Testers

Description	Catalog Numbers
This unit is small and compact—measuring only 4.19 in. H x 5.19 in. L x 6.69 in. W (10.6cm x 13.2cm x 17.0cm) and weighing only 3 pounds—yet protects as many as four tools at one time. The housing is high-impact yellow polycarbonate as are the liftcovers which protect the receptacles from dirt and damage. Simply insert the plug on the end of the 6 foot (1.8m) cord into any 60Hz 120V receptacle and then plug the equipment to be used into one of the receptacles on the unit. Incorporates a 20 Amp GFCI module that can be replaced in the field. The module provides not only ground fault protection, but also contains the no voltage release feature.	<b>GFP15M</b>
3-outlet plug-in unit. Plugs into boat convenience receptacles to provide ground fault protection.	<b>GFP315A</b>
This unit is designed to measure the trip level of GFCI portables, receptacles, or breakers within any range from 2 to 7 milliamperes, or the leakage in portable tools or appliances within a leakage range of 1 to 7 milliamperes. It can be used on any AC circuit of 110 to 130V.	<b>GFT2G</b>
This outlet circuit tester has a simple arrangement of neon lights which visually indicate correct wiring, reversed polarity, open ground wire, open neutral wire, open hot wire, hot and ground reversed and hot wire on neutral terminal, and hot terminal unwired. Simply plug the HBL5200 into a single phase 125V 2 pole 3 wire outlet and the combination of lighted and/or unlighted lamps will immediately indicate the condition of the circuit. The instructions and symbol identification are printed on durable polyester labels permanently attached to the tester. To test other 2 pole 3 wire single phase 125V outlets, use one of the proper adapters shown on pages 26 and 27.	<b>HBL5200</b>



HBL5200



GFP315A

### GFCI Line Cord Devices

Ideal for personal plug-in protection at marinas and onboard boats when used with pumps, drills, sanders and all portable electrical equipment. GFCI mechanism is watertight and approved for outdoor use. High visibility yellow SJTW-A power cord resists moisture, chemicals and sunlight.

Two different lengths available.

- GFP6C15M** 6 ft. (1.8m) line cord
- GFP25C15M** 25 ft. (7.6m) line cord

### GFCI Specifications

- Rating:** 15A 120V 60Hz 2 pole 3 wire straight blade
- Trip Level:** 4-6 milliamperes
- Trip Time:** .025 seconds nominal
- Frequency:** 60 Hertz nominal
- Voltage:** 120 volts +10%, -15%
- Max Interrupting Capacity:** 2,000 amperes
- Max Humidity:** 95%
- UL Class A



GFP6C15M  
GFP25C15M





# Marine Products

## GFCI and Surge Protection Receptacles

Inside the Boat

The American Boat and Yacht Council recommends the use of ground fault protected receptacles in a head, galley, machinery space or on a weather deck. Refer to ABYC "Ground Fault Protection".

### Ground Fault Circuit Interrupter (GFCI) Receptacles

These UL Listed receptacles have been designed to protect people from line-to-ground electrical shock hazards which may develop from faulty appliance, tools or defective portable cords. If a ground fault does occur and the leakage level exceeds 4 to 6 milliamperes, the GFCI unit quickly acts to protect the user by opening the circuit, thus interrupting the power supply and limiting the duration of any electrical current flow. After tripping, the receptacle is reset by pushing a button on its face. A test button allows the user to test that the GFCI is in working order.

*Note: All Hubbell GFCI receptacles are in compliance with new UL 943 Mandate. GFCI receptacles will not protect against overloads or short circuits. Due to 2006 UL 943 revisions, Hubbell Marine Ground Fault Receptacles now come with an LED that will flash if the receptacle is no longer capable of providing GFCI protection. This can occur due to power surges and/or lightning in the area. The new design will also prevent power going to the face when mis-wired.*

Hubbell's GFCI receptacles can be mounted on any standard 2.50 inch (63.5) deep box. A feed-thru feature provides protection not only at that receptacle but also at any other receptacle located downstream from it on the same circuit.

These devices meet the requirements of The National Electric Code (NEC) and American Boat and Yacht Council Standard and will accept locking fork terminals. Ground Fault Receptacles are also available for OEM applications. Devices rated for 15A and 20A are available in brown, ivory, gray and white. Consult factory for details.

**Caution: Ground Fault Receptacles should not be mounted in locations exposed to salt spray nor in the engine room. For GFCI protection of such locations, downstream feeding from an internally located Ground Fault Receptacle is recommended.**

### GFCI Receptacles and Surge Suppression Receptacles

Description	Catalog Numbers
15A 125V brown GFCI duplex receptacle. Brown nylon wall plate included.	<b>GFR5252M</b>
Same as GFR5252M except receptacle and plate are ivory.	<b>GFR5252MI</b>
Same as GFR5252M except receptacle and plate are white.	<b>GFR5252MW</b>
Same as GFR5252M except receptacle and plate are gray.	<b>GFR5252MGY</b>
Gray PVC weatherproof lift cover for ground fault receptacles (such as GFR5252M series) and Style Line® receptacles. For vertical mounting in standard or FS/FD type boxes.	<b>CWP26CR</b>
Same as CWP26CR except white.	<b>CWP26CRW</b>
Ivory duplex surge suppression receptacle with power on indicator light and damage-alert alarm beeper.	<b>HBL5262ISA</b>

Surge suppression receptacles 15A 125V AC Nominal. UL Listed at 400V voltage protection level. Suitable for ANSI/IEEE C 62.41-installation categories "A" (outlets and long branch circuits) and "B" (major feeders and short branch circuits). The Hubbell Surge Suppression Receptacle helps protect your electronic equipment from damage caused by transient voltages. The receptacle contains metal oxide varistors which dissipate the electrical energy of voltage spikes without interfering with normal operations.



GFR5252MW



Close-Up View of Open Terminals



CWP26CR

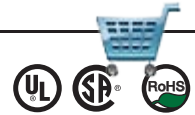


HBL5262ISA





Marine Products  
**Receptacles**  
 15 and 20 Ampere, 125V AC



DR15WHITR



CR15



DR15GRYWRTR



CR15TR



BR15IWR



HBL5251



HBL5361I



HBL52CM62I



HBL8200ILI

**Style Line® Decorator Receptacles**

- High-impact nylon face resists breaking, chipping and cracking.
- Will accept locking fork terminal to comply with ABYC standards.
- Available in 4 colors for any decor with matching wall plates.
- Smooth, high-gloss finish for rich appearance.

**Commercial Style Line® Decorator Series**



Description	Color	Standard Duplex	Duplex Tamper Resistant	Duplex Weather and Tamper Resistant
15A 125V duplex receptacle.	Almond	DR15AL	DR15ALTR	DR15ALWRTR
	Black	DR15BLK	DR15BLKTR	DR15BLKWRTR
	Brown	DR15	DR15TR	DR15WRTR
	Gray	DR15GRY	DR15GRYTR	DR15GRYWRTR
	Ivory	DR15I	DR15ITR	DR15IWRTR
	Light Almond	DR15LA	DR15LATR	DR15LAWRTR
	Office White	DR15OW	-	-
	White	DR15WHI	DR15WHITR	DR15WHIWRTR

**Commercial Series**

Description	Color	Standard Duplex Spec Grade Side Wired	Duplex Tamper Resistant	Duplex Side and Back Wired, Weather and Tamper Resistant
15A 125V duplex receptacle.	Almond	CR15AL	CR15ALTR	BR15ALWRTR
	Black	CR15BLK	CR15BLKTR	BR15BLKWRTR
	Brown	CR15	CR15TR	BR15WRTR
	Gray	CR15GRY	CR15GRYTR	BR15GRYWRTR
	Ivory	CR15I	CR15ITR	BR15IWRTR
	Light Almond	CR15LA	CR15LATR	BR15LAWRTR
	Office White	CR15OW	-	-
	White	CR15WHI	CR15WHITR	BR15WHIWRTR

Notes: All devices above will accept locking fork terminal to comply with ABYC standards.  
 \* Refer to page iv for TR and WR descriptions.

**Extra Heavy Duty Single Receptacles**



Description	Color	Catalog Numbers
15A 125V single receptacle.	Brown	HBL5251
	Ivory	HBL5251I
20A 125V single receptacle.	Brown	HBL5361
	Ivory	HBL5361I

**Corrosion Resistant Receptacles**



Description	Catalog Numbers
15A 125V yellow corrosion resistant duplex receptacle. Use where salt or other corrosive elements are a problem.	HBL52CM62
Same as HBL52CM62 except ivory.	HBL52CM62I

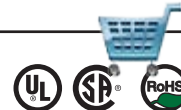
**Special Application Illuminated Receptacle**

Description	Catalog Numbers
Illuminated receptacle 15A 125V grounding. A high quality receptacle with an illuminated face. Ideal for use in halls or as a gentle night light.	HBL8200ILI

# Marine Products

## Switches and Weatherproof Switch Plates

15 and 20 Ampere, 120-277V AC



### Commercial Series

Description	Handle Color	Catalog Numbers
15A single-pole toggle switch for controlling AC load from one point.	Almond	CS115AL
	Brown	CS115
	Gray	CS115GY
	Ivory	CS115I
	Light Almond	CS115LA
	Office White	CS115OW
	White	CS115W
15A three-way toggle switch for controlling AC load from two points.	Almond	CS315AL
	Brown	CS315
	Gray	CS315GY
	Ivory	CS315I
	Light Almond	CS315LA
	Office White	CS315OW
	White	CS315W

Note: All devices above will accept locking fork terminal to comply with ABYC standards.



CS115I



HBL1221IL



HBL1221PL



HBL1281



HBL1283

### Special Application Series

Description	Catalog Numbers
20A 120V toggle switch with neon lamp set in ivory handle. Handle illuminates when switch is in "OFF" position.	HBL1221IL
20A 120V three-way toggle switch with illuminated ivory handle for controlling AC load from two points. Handle illuminates when "OFF".	HBL1223IL
20A 120V single-pole toggle switch with neon lamp set in clear red handle. Handle illuminates when switch is "ON". Serves as instant reminder that current is flowing to an appliance.	HBL1221PL
20A 120V three-way toggle switch for controlling AC load from two points. Red handle illuminates when "ON".	HBL1223PL
Single-pole PresSwitch® for controlling AC load from one point. Switch activated brown button.	HBL1281
Same as HBL1281 except ivory button.	HBL1281I
Three-way PresSwitch® for controlling AC load from two points. Switch activated brown button.	HBL1283†
Same as HBL1283 except ivory button.	HBL1283I†
Yellow neoprene weatherproof plate for use only with PresSwitches. PresSwitch button is activated when bubble is pressed. Not CSA.	HBL17CM50†
Clear silicone rubber weatherproof bubble plate for use with all AC toggle switches and PresSwitches. Also ideal for use with lighted handle toggle switches. Not CSA.	HBL1795

Note: †Not UL Listed.



HBL17CM50



HBL1795

### Outlet Box

Description	Catalog Numbers
Plastic switch/receptacle box. Measures 3.281" x 2.188" x 2.50" (83.3 x 55.6 x 63.5) deep. For mounting in walls without studs. A support strap is provided which pulls box tightly against back side of wall. Not CSA.	HBL6079



HBL6079



Marine Products

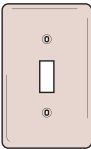
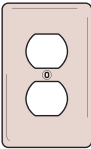
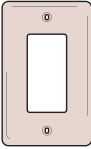
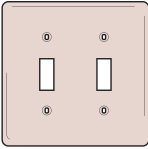
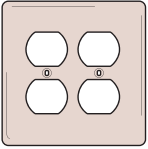
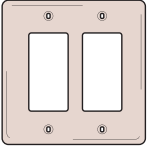
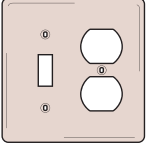
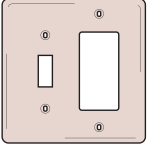
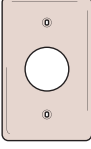

**Wallplates**

Inside the Boat



- Nylon plates—virtually unbreakable.
- Rounded corners for stylish look.
- Reinforced ribs for extra strength.
- Screws are factory-inserted for fumble-free installation.



Description	Color	Smooth Nylon		Smooth Metal	
		Standard	Mid-Size	Material	Catalog Numbers
 1-Gang, 1-Toggle	Black Brown Gray Ivory White	NP1BK NP1 NP1GY NP1I NP1W	NPJ1BK NPJ1 NPJ1GY NPJ1I NPJ1W	Brass Stainless Steel	SB1 SS1
 1-Gang, 1-Duplex	Black Brown Gray Ivory White	NP8BK NP8 NP8GY NP8I NP8W	NPJ8BK NPJ8 NPJ8GY NPJ8I NPJ8W	Brass Stainless Steel	SB8 SS8
 1-Gang, 1-Decorator	Black Brown Gray Ivory White	NP26BK NP26 NP26GY NP26I NP26W	NPJ26BK NPJ26 NPJ26GY NPJ26I NPJ26W	Brass Stainless Steel	SB26 SS26
 2-Gang, 2-Toggle	Black Brown Gray Ivory White	NP2BK NP2 NP2GY NP2I NP2W	NPJ2BK NPJ2 NPJ2GY NPJ2I NPJ2W	Brass Stainless Steel	SB2 SS2
 2-Gang, 2-Duplex	Black Brown Gray Ivory White	NP82BK NP82 NP82GY NP82I NP82W	NPJ82BK NPJ82 NPJ82GY NPJ82I NPJ82W	Brass Stainless Steel	SB82 SS82
 2-Gang, 2-Decorator	Black Brown Gray Ivory White	NP262BK NP262 NP262GY NP262I NP262W	NPJ262BK NPJ262 NPJ262GY NPJ262I NPJ262W	Brass Stainless Steel	SB262 SS262
 2-Gang, 1-Toggle, 1-Duplex	Black Brown Gray Ivory White	NP18BK NP18 NP18GY NP18I NP18W	NPJ18BK NPJ18 NPJ18GY NPJ18I NPJ18W	Brass Stainless Steel	SB18 SS18
 2-Gang, 1-Toggle, 1-Decorator	Black Brown Gray Ivory White	NP126BK NP126 NP126GY NP126I NP126W	NPJ126BK NPJ126 NPJ126GY NPJ126I NPJ126W	Brass Stainless Steel	SB126 SS126
 1-Gang, 1-Single 1.40" Dia. Hole	Black Brown Gray Ivory White	NP7BK NP7 NP7GY NP7I NP7W	NPJ7BK NPJ7 NPJ7GY NPJ7I NPJ7W	Brass Stainless Steel	SB7 SS7
 1-Gang, 1-Blank, Box Mount	Black Brown Gray Ivory White	NP13BK NP13 NP13GY NP13I NP13W	NPJ13BK NPJ13 NPJ13GY NPJ13I NPJ13W	Brass Stainless Steel	SB13 SS13

# Communication Frames and Connectors



Hubbell now offers the ability to put 2 or 3 communication devices in a single, Style Line® plate.

Any combination of phone (6-position jack), cable TV (F-type connector) and Category 5e modular data jacks can be assembled onto a 2-port or 3-port frame—each sold individually so you can customize them as needed. Or the highly popular phone and cable TV combination is available with the frame and matching wallplate under a single catalog number, in all the popular colors.

Finally—a single communications plate that can take the place of 2 or 3 plates—available from a company you can trust for superior quality.

Hubbell's Marine communication frames and connectors deliver high quality data and multimedia transmission to the point of connection. Hubbell's 2 and 3 port Style Line frames and leading edge connections allow for customized configurations. Install Hubbell's Marine communication offering and be assured a reliable connection.

## 2 Port Communication Frame, Fully Loaded (6-Position Phone Jack, F-Type Cable TV Jack and Style Line® Plate Included)

Color	No. of Ports	Connection Type	Catalog Numbers
Ivory	2	USOC, F-Type	NS783I
White	2	USOC, F-Type	NS783W



NS783I

## Style Line® Frames, 2 Port and 3 Port Unloaded

Color	No. of Ports	Connection Type	Catalog Numbers
Black	2	—	NS612BK
Gray	2	—	NS612GY
Ivory	2	—	NS612I
White	2	—	NS612W
Black	3	—	NS613BK
Gray	3	—	NS613GY
Ivory	3	—	NS613I
White	3	—	NS613W



NS612I



NS613I

## Category 6 Modular Keystone Jacks

Color	Wiring	No. Positions	Catalog Numbers
Black	T568A/T568B	8-Positions	NSJ6BK
Gray	T568A/T568B	8-Positions	NSJ6GY
Ivory	T568A/T568B	8-Positions	NSJ6I
White	T568A/T568B	8-Positions	NSJ6W



NSJ6W



NSJ5EW

## Category 5e Modular Keystone Jacks

Color	Wiring	No. Positions	Catalog Numbers
Black	T568A/T568B	8-Positions	NSJ5EBK
Gray	T568A/T568B	8-Positions	NSJ5EGY
Ivory	T568A/T568B	8-Positions	NSJ5EI
White	T568A/T568B	8-Positions	NSJ5EW



NSJUW

## USOC Modular Keystone Jacks

Color	Wiring	No. Positions	Catalog Numbers
Black	USOC	6-Positions	NSJUBK
Gray	USOC	6-Positions	NSJUGY
Ivory	USOC	6-Positions	NSJUI
White	USOC	6-Positions	NSJUW

## F-Type Connector Keystone

Color	Catalog Numbers
Black	SFFGBK
Gray	SFFGGY
Ivory	SFFGEI
White	SFFGW



SFFGEI





# Marine Products Boatyard Accessory Items

Marine Grade Outlet Box Hoods



**IP66**  
SUITABILITY Enclosures only.



RW57500



RW57600



RW57950



HBL6085



HBL10CM22S

## Marine Grade Outlet Box Hoods

Description	Color	Mounting	Catalog Numbers
Standard Cover, 1-Gang, For Duplex, GFCI, Toggle and Single Receptacles, Diameter 1.34, 1.40, 1.60, 1.72, 2.03 and 2.15 inch	Gray	Horizontal or Vertical	<b>RW57500</b>
Deep Cover, 1-Gang, For Duplex, GFCI, Toggle and Single Receptacles, Diameter 1.34, 1.40, 1.60, 1.72, 2.03 and 2.15 inch	Gray	Horizontal or Vertical	<b>RW57600</b>
Deep Cover, 2-Gang, For Single Receptacles, Diameter 1.34, 1.40, 1.60, 1.72, 2.03 and 2.15 inch	Gray	Vertical	<b>RW57950</b>

## Nylon Watertight Strain Relief Cord Connectors

These Hubbell nylon cord connectors provide strain relief and a watertight seal where cable enters a piece of equipment, panel, or box. A patented GOTCHA® ring, with a split and hinge design, allows for better adjustment to the cord as the connector nut is tightened, providing superior cord gripping compared to other types. A soft neoprene bushing compresses to keep liquids out and allows the nut to be easily tightened.

Description	Catalog Numbers
A gray male PVC adapter with 3/4 in. N.P.T. pipe thread for adapting PVC conduit to FS and FD boxes with 3/4 in. N.P.T. hub (HBL6080, HBL6080OS, HBL60CM83). Not UL Listed.	<b>HBL6085</b>
Straight nylon cord connector, 1/2 in. N.P.T. hub size, diameter range .25-.38 in. (6.4-9.5).	<b>HBL10CM22S</b>
Straight nylon cord connector, 1/2 in. N.P.T. hub size, diameter range .38-.50 in. (9.5-12.7).	<b>HBL10CM23S</b>
Straight nylon cord connector, 3/4 in. N.P.T. hub size, diameter range .38-.50 in. (9.5-12.7).	<b>HBL10CM35S</b>
Straight nylon cord connector, 3/4 in. N.P.T. hub size, diameter range .50-.63 in. (12.7-15.9).	<b>HBL10CM36S</b>
Straight nylon cord connector, 3/4" N.P.T. hub size, diameter range .63-.75 in. (15.9-19.1).	<b>HBL10CM37S</b>
Straight nylon cord connector, 1.0 in. N.P.T. hub size, diameter range .63-.75 in. (15.9-19.1).	<b>HBL10CM41S</b>



# Marine Products

## Boatyard Accessory Items

Marine Grade Lift Covers

### Marine Grade Weatherproof Plates

Description	Catalog Numbers
Yellow Valox® spring-loaded lift cover for weatherproofing duplex receptacles. Stainless steel screws and neoprene gasket included for mounting to FS/FD type weatherproof boxes. <b>IP20 SUITABILITY.</b>	<b>HBL52CM21</b>
Same as HBL52CM21 except white in color.	<b>HBL52CM21W</b>
Same as HBL52CM21 except gray in color.	<b>HBL5221</b>
Same as HBL52CM21 except for mounting to standard boxes.	<b>HBL52CM22</b>
Same as HBL52CM22 except gray in color.	<b>HBL5222</b>
Yellow Valox spring-loaded lift cover for weatherproofing single straight blade receptacles. Stainless steel screws and neoprene gasket included. For mounting to FS/FD type weatherproof boxes. <b>IP44 SUITABILITY.</b>	<b>HBL74CM23WO</b>
Same as HBL74CM23WO except gray in color.	<b>HBL7423WO</b>
Yellow Valox spring-loaded lift cover for weatherproofing old style 26CM10 receptacle. Meets the most stringent requirements of UL's three listing categories for weatherproof plates. Stainless steel screws and neoprene gasket included for mounting to FS/FD type weatherproof boxes. <b>IP44 SUITABILITY.</b>	<b>HBL74CM24WO</b>
Same as HBL74CM24WO except gray in color.	<b>HBL7424WO</b>
Yellow Valox spring-loaded lift cover for weatherproofing HBL26CM10 receptacle. Meets the most stringent requirements of UL's three listing categories for weatherproof plates. Stainless steel screws and neoprene gasket included for mounting to FS/FD type weatherproof boxes. <b>IP44 SUITABILITY.</b>	<b>HBL74CM25WOA</b>
Same as HBL74CM25WOA except white in color.	<b>HBL74CM25WOAW</b>
Same as HBL74CM25WOA except gray in color.	<b>HBL7425WOA</b>
Yellow Valox lift cover for weatherproofing 50A receptacles. Meets requirements of the most stringent of UL's three listing categories for weatherproof plates. Stainless steel screws and a neoprene gasket included. For mounting to FS/FD type weatherproof boxes. <b>IP44 SUITABILITY.</b>	<b>HBL77CM74WO</b>
Same as HBL77CM74WO except gray in color.	<b>HBL7774WO</b>



HBL52CM21



HBL74CM23WO



HBL77CM74WO



CWP1CR



CWP8CR



CWP26CR

### Commercial Grade Weatherproof Plates

Available in a host of configurations— Twist-Lock® and straight blade receptacles in single or duplex as well as switches—these plates are perfect for marine use. The PVC resists deterioration over time and has high tensile and impact strength. Each plate comes with a tightly sealing, rubberized gasket and a super strong lift cover spring.

### Commercial Grade Weatherproof Plates

Description	Catalog Numbers
Gray PVC weatherproof lift cover for toggle switches (such as CS115). For vertical mounting in standard or FS/FD type boxes.	<b>CWP1CR</b>
Gray PVC weatherproof lift cover for duplex receptacles (such as HBL52CM62). For vertical mounting in standard or FS/FD type boxes.	<b>CWP8CR</b>
Gray PVC weatherproof lift cover for ground fault receptacles (such as GF5252MGYA) and Style Line® receptacles. For vertical mounting in standard or FS/FD type boxes.	<b>CWP26CR</b>
Same as CWP26CR except white in color.	<b>CWP26CRW</b>

Valox® is a trademark of SABIC Innovative Plastics, acquired from General Electric Company.



Marine Products  
**Boatyard Accessory Items**

Marine Grade Dockside Boxes and Covers



HBL6080



HBL60CM83



HBL60CM84



HBL6080OS



HBL6081



HBL6087  
HBL60CM88



PH6619



HBL6082

**Marine Grade Dockside Boxes and Covers**

Description	Catalog Numbers
Black phenolic type FD (deep) weatherproof box has two 3/4 in. (19.1) I.P.S. molded-in knockouts. 4.56 in. H x 2.94 in. W x 3.25 in. D (115.9H x 74.6W x 82.6D) and has 22 cubic inch capacity.	HBL6080
Yellow fiberglass type FD (deep) weatherproof box has two 3/4 in. (19.1) I.P.S. molded-in knockouts. 4.56 in. H x 2.94 in. W x 3.25 in. D (115.9H x 74.6W x 82.6D) and has 22 cubic inch capacity.	HBL60CM83
Yellow fiberglass type FD box same as HBL60CM83 - except has two 1.0 inch (25.4) I.P.S. molded-in knockouts.	HBL60CM84
Black phenolic type FS (shallow) weatherproof box has two 3/4 in. (19.1) I.P.S. molded-in knockouts. 4.56 in. H x 2.94 in. W x 2.19 in. D (115.9H x 74.6W x 55.6D) and has 16 cubic inch capacity.	HBL6080OS
Black non-metallic FS box with 3/4 in. threaded hubs used for mounting phone and TV outlets and PH6595 recreational vehicle inlet (see PH6621 for mounting box on recreational vehicle). Cord connector included for strain relief and to maintain watertight integrity of box when cable is used. PVC adapter also included for connection of PVC conduit to box.	PH6619
Black phenolic junction box with four 3/4 in. (19.1) I.P.S. molded-in knock-outs. Has 4.13 in. (104.8) diameter and is 1.88 in. (47.6) deep.	HBL6081
Phenolic blank cover, 1/4 in. (6.4) thick, for HBL6081 box.	HBL6082
Black phenolic blank cover plate for HBL6080OS.	HBL6087
Yellow Valox® blank cover plate for use with FS and FD type boxes.	HBL60CM88

Valox® is a trademark of SABIC Innovative Plastics, acquired from General Electric Company.







# Marine Products

## Boatyard Accessory Items

Lighting and Lighting Fixtures

### Non-Metallic Vapor-tight Incandescent Fixtures

These non-metallic, vapor-tight incandescent fixtures offer long life and trouble-free lighting in wet locations in marinas and on boats. Some features of these new units are:

- UV resistant, gray, glass filled thermoplastic polyester box, mounting adapters and globe guards resists abuse and harmful effects of the elements.
- Excellent temperature operating range of -40°F (-40°C) to +302°F (150°) for use in areas with wide temperature variations or extreme ambient temperatures.
- High temperature silicone gasketing maintains integrity and molded threads for ease of installation/removal.
- Heat resistant glass globe withstands thermal shock in wet locations and has thread type mounting to assure weathertight sealing.
- High strength protective globe guard helps prevent accidental globe and lamp breakage.
- Accommodates Type A incandescent lamps up to 150 watts.
- UL 1598 Standard for luminaries.
- UL 1598A Marine type luminaries.



NVX15GHGA



NVA15GHGA



NVBA

### Lighting and Lighting Fixtures

Description	Catalog Numbers
Ceiling mount non-metallic, vapor-tight incandescent luminaries including the fixture, mounting box, guard and heat resistant glass globe. Accepts up to 150 watt Type A incandescent lamp (not included).	NVX15GHGA
Pendant mount non-metallic, vapor-tight incandescent luminaries including fixture, mounting cap, guard and heat resistant glass globe. Accepts up to 150 watt Type A incandescent lamp (not included).	NVA15GHGA
Wall mount bracket only to adapt NVX15GHGA ceiling mount fixture to a wall mount fixture. Order NVBA and NVX15GHGA to get wall mount fixture.	NVBA
Replacement guard to NVX15GHGA and NVA15GHGA.	NVGA
Heat resistant replacement globe for NVX15GHGA and NVA15GHGA. Made of tempered glass.	VCGP100





# Marine Products

## Electrical Standards

### Codes and Specifications

#### ABYC Standard, July 2001, Excerpts.

**8.4 DEFINITIONS** – For the purposes of this standard, the following definitions apply.

**Ground fault circuit interrupter (GFCI)** – A device intended for the protection of personnel that functions to de-energize a circuit, or portion thereof, within an established period of time when a current to ground exceeds some predetermined value that is less than that required to operate the overcurrent protective device of the supply circuit.

**Watertight** – So constructed that water will not enter the enclosure under the test conditions specified in NEMA standard 250.

**Weatherproof** – Constructed or protected so that exposure to the weather will not interfere with successful operation.

#### 8.12 GROUND FAULT PROTECTION

**8.12.1** If installed, a ground fault protector (GFP) shall only be used to protect equipment.

*NOTE: A ground fault circuit interrupter (GFCI) may be used on single phase AC circuits to provide additional protection for personnel and equipment.*

**8.12.2** GFCI and GFP breakers shall meet the requirements of Underwriters Laboratories standard UL 943, Ground Fault Circuit Interrupters, and the requirements of UL 489, Molded Case Circuit Protectors for Circuit Breaker Enclosures.

**8.12.3** GFCI and GFP breakers may be installed as panelboard feeder breakers to protect all associated circuits or in individual branch circuits.

**8.12.4** Single-pole GFCI and GFP breakers shall only be used if:

**8.12.4.1** the single phase 120 volt system has a polarity indicator, or

**8.12.4.2** the system uses either a polarization transformer, or the system is 120/240 volts.

**8.12.5** GFCI receptacle devices shall meet the requirements of Underwriters Laboratories standard UL 943, Ground Fault circuit Interrupters, and the requirements of UL 498, Electrical Attachment Plugs and Receptacles.

**8.12.6** GFCI receptacle devices may be installed as part of a convenience outlet installation either in single outlet applications or in multiple feed through installations. See ABYC E-8.17.8.

*NOTE: Isolation transformer primary main breakers – GFP breakers may be installed as the main breaker on the primary side of isolation transformers. See E-8.23, Diagram 8 and Diagram 11. This GFP breaker will provide ground fault protection only for the primary winding of the transformer. Protection for circuits supplied by the secondary winding of the transformer may be provided in accordance with ABYC E-8.11.4, E-8.11.5, E-8.11.6.3, and E-8.12.4.*

#### 8.16 SWITCHES

**8.16.1** Switches used in branch circuits shall simultaneously open all ungrounded conductor(s) of the branch circuit.

**8.16.2** Switches shall have voltage ratings not less than the system voltage, current ratings not less than the connected load, and shall be rated for the type of load, i.e., inductive or resistive.

#### 8.17 RECEPTACLES

**8.17.1** Receptacles shall be installed in boxes that meet the requirements of UL 514A, Metallic Outlet Boxes, or 514C, Nonmetallic Outlet Boxes, Flush Device Boxes and Covers 514.D Cover plates for flush mounted wiring devices.

**8.17.2** Receptacles shall be of the grounding type with a terminal provided for the grounding (green) conductor as shown in Figure 10 and Figure 11.

**8.17.3** Receptacles and matching plugs used on AC systems shall not be interchangeable with receptacles and matching plugs used on DC systems.

**8.17.4** Power wiring for receptacles shall be connected so that the grounded (white) conductor attaches to the terminal identified by the word “white” or a light color (normally white or silver). The ungrounded conductors(s) shall be attached to the terminal(s) identified by a dark color (normally brass or copper) and, optionally, the letters X, Y, and Z or L1, L2, and L3.

**8.17.5** A branch circuit supplying a combination of receptacle loads and permanently connected loads shall not supply fixed loads in excess of the following:

**8.17.5.1** 600 watts for a 15 ampere circuit;

**8.17.5.2** 1000 watts for a 20 ampere circuit.

*NOTE: Refer to E-8.18.5 for load calculations.*

**8.17.6** Receptacles shall be installed in locations not normally subject to rain, spray, or flooding, but, if receptacles are used in such areas, the following shall apply:

**8.17.6.1** Receptacles installed in locations subject to rain, spray, or splash shall be weatherproof as may be provided by a spring loaded, self closing cover.

**8.17.6.2** Receptacles installed in areas subject to flooding or momentary submersion shall be of a watertight design as may be provided by a threaded, gasketed cover.

**8.17.7** Receptacles provided for the galley shall be located so appliance cords can be plugged in without crossing a traffic area, galley stove, or sink.

**8.17.8** If installed in a head, galley, machinery space, or on a weather deck, the receptacle shall be protected by a Type A (nominal 4-6 milliamperes) Ground Fault Circuit Interrupter (GFCI). See ABYC E-8.12.

*NOTE: GFCI receptacle devices are not necessarily ignition protected per ABYC E-8.9.1.*

#### 8.22 SHORE POWER SUPPLY

**8.22.1** Power Inlet – The receptacle, or receptacles, installed to receive a connecting cable to carry AC shore power aboard shall be a male type connector.

**8.22.1.1** Power inlets installed in locations subject to rain, spray, or splash shall be weatherproof whether or not in use.

**8.22.1.2** Power inlets installed in areas subject to flooding or momentary submersion shall be of a watertight design whether or not in use.

**8.22.1.3** Metallic power inlets installed on metallic boats using an isolation transformer or a galvanic isolator shall be insulated from metallic structure and components. On nonmetallic boats using an isolation transformer or a galvanic isolator the power inlet shall be insulated from metallic components connected to the boat's ground.

**8.22.2** Shore Power Cable – On each boat equipped with an AC shore power system, a shore power cable that contains the conductors for the power circuit and a grounding (green) conductor shall be provided.

**8.22.2.1** Except where the shore power cable is permanently connected to the boat, the boat end of this cable shall be terminated with a locking and grounding female type connector to match the boat power inlet. See Figure 11 and Figure 12.

**8.22.2.2** The shore power cable shall be flexible cord with the minimum properties of Type SO, ST, STO, SEO, or STOOV, and shall be suitable for outdoor use. The shore connection end of this cable shall be fitted with a locking and grounding type plug with the required number of poles and shall comply with the National Electrical Code. See Figure 11 or Figure 12 and Appendix AP Table 2.



# Marine Products

## Catalog Number Index

Catalog Number	Page Number	Catalog Number	Page Number	Catalog Number	Page Number	Catalog Number	Page Number
BB1001W	16, 18	DR15BLK	38	HBL316NM	22	HBL60CM31	8, 34
BB1002W	16, 18	DR15BLKTR	38	HBL316P6W	23	HBL60CM31V	9, 34
BB100N	16, 18	DR15BLKWTR	38	HBL316R6W	23	HBL60CM31W	8, 34
BB201W	23	DR15GRY	38	HBL316SSX	22	HBL60CM32	8, 34
BB301W	23	DR15GRYTR	38	HBL31CM28	26	HBL60CM32V	9, 34
BB601W	23	DR15GRYWTR	38	HBL31CM29	26	HBL60CM33	8
BR15ALWRTR	38	DR15I	38	HBL328DCC	30	HBL60CM33V	9
BR15BLKWTR	38	DR15ITR	38	HBL328DCP	30	HBL60CM33W	8
BR15GRYWTR	38	DR15WRTR	38	HBL328DCR	30	HBL60CM75	5
BR15IWRTR	38	DR15LA	38	HBL332B6W	23	HBL60CM83	44
BR15LAWTR	38	DR15LATR	38	HBL332C6W	23	HBL60CM84	44
BR15WHIWRTR	38	DR15LAWTR	38	HBL332CRC	22	HBL60CM88	44
BR15WRTR	38	DR15OW	38	HBL332CSW	22	HBL61CM03	6
CA100	16, 17, 18, 19	DR15TR	38	HBL332NM	22	HBL61CM03LED	7
CC100	16, 17, 18, 19	DR15WHI	38	HBL332P6W	23	HBL61CM03W	6
CR15	38	DR15WHITR	38	HBL332R6W	23	HBL61CM03WLED	7
CR15AL	38	DR15WHIWRTR	38	HBL332SSX	22	HBL61CM05	6
CR15ALTR	38	DR15WRTR	38	HBL363B6W	23	HBL61CM05LED	7
CR15BLK	38	FT202W	23	HBL363C6W	23	HBL61CM05WLED	7
CR15BLKTR	38	FW60100	17, 19, 23	HBL363P6W	23	HBL61CM08	6
CR15GRY	38	GFP15M	36	HBL363R6W	23	HBL61CM08LED	7
CR15GRYTR	38	GFP315A	36	HBL47CM00	32	HBL61CM08W	6
CR15I	38	GFR5252M	37	HBL47CM15	32	HBL61CM08WLED	7
CR15ITR	38	GFR5252MGY	37	HBL47CM16	32	HBL61CM100	26
CR15LA	38	GFR5252MI	37	HBL47CM20C	32	HBL61CM22	26
CR15LATR	38	GFR5252MW	37	HBL47CM29C	32	HBL61CM22W	26
CR15OW	38	GFT2G	36	HBL503NM	10	HBL61CM25	26
CR15TR	38	HBL103RX	22	HBL503RI	10	HBL61CM42	13
CR15WHI	38	HBL105GF	26	HBL503SS	10	HBL61CM42LED	13, 14
CR15WHITR	38	HBL10CM22S	42	HBL504NM	12	HBL61CM42W	13
CR16277	10	HBL10CM23S	42	HBL504RI	12	HBL61CM42WLED	13, 14
CR16279	12	HBL10CM35S	42	HBL504SS	12	HBL61CM43	11
CR16914	28	HBL10CM36S	42	HBL5200	36	HBL61CM43LED	11, 14
CS1004	15	HBL10CM37S	42	HBL5221	32, 33, 35, 43	HBL61CM52	13
CS100IT4	15	HBL10CM41S	42	HBL5222	32, 33, 35, 43	HBL61CM52LED	13, 14
CS100IT5	15	HBL1221IL	39	HBL5251	38	HBL61CM52W	13
CS115	39	HBL1221PL	39	HBL5251I	38	HBL61CM52WLED	13, 14
CS115AL	39	HBL1223IL	39	HBL5262ISA	37	HBL61CM53	11
CS115GY	39	HBL1223PL	39	HBL5273L	26	HBL61CM53LED	11, 14
CS115I	39	HBL1281	39	HBL52CM21	32, 33, 35, 43	HBL61CM53W	11
CS115LA	39	HBL1281I	39	HBL52CM21W	32, 35, 43	HBL61CM53WLED	11, 14
CS115OW	39	HBL1283	39	HBL52CM22	32, 33, 35, 43	HBL61CM54	26
CS115W	39	HBL1283I	39	HBL52CM61	33	HBL61CM55	26
CS315	39	HBL1795	39	HBL52CM62	33, 38	HBL61CM56	26
CS315AL	39	HBL17CM50	39	HBL52CM62I	33, 38	HBL61CM59	26
CS315GY	39	HBL21CM28	26	HBL52CM66C	33	HBL61CM64	33
CS315I	39	HBL21CM29	26	HBL52CM66V	33	HBL61CM64BK	33
CS315LA	39	HBL23CM10	34	HBL52CM69C	33	HBL61CM65	35
CS315OW	39	HBL23CM11	34	HBL52CM69V	33	HBL61CM71	26
CS315W	39	HBL23CM11V	34	HBL52CM80C	33	HBL61CM72	26
CS50EXT4	15	HBL23CM13	34	HBL5361	38	HBL63CM60	10
CS50EXT5	15	HBL23CM13V	34	HBL5361I	38	HBL63CM61	11
CS754	15	HBL26CM10	8	HBL53CM61	35	HBL63CM64	12
CS75IT4	15	HBL26CM11	8	HBL53CM62	35	HBL63CM65	13
CS75IT5	15	HBL26CM11V	9	HBL53CM66C	35	HBL63CM69	13
CW100IT4	15	HBL26CM11VB	9	HBL53CM69C	35	HBL63CM70	11
CW100IT5	15	HBL26CM13	8	HBL6079	39	HBL64CM54	27
CW125IT4	15	HBL26CM13V	9	HBL6080	30, 44	HBL64CM55	27
CW125IT5	15	HBL303INT	5	HBL6080OS	44	HBL64CM56	27
CW754	15	HBL303NM	5	HBL6081	44	HBL64CM57	27
CWP1CR	43	HBL303SS	5	HBL6082	44	HBL64CM59	27
CWP26CR	37, 43	HBL303SSBL	5	HBL6085	42	HBL7423WO	33, 35, 43
CWP26CRW	37, 43	HBL303SSO	5	HBL6087	44	HBL7424WO	8, 43
CWP8CR	43	HBL316B6W	23	HBL60CM17	33, 35	HBL7425WOA	8, 30, 34, 43
DR15	38	HBL316C6W	23	HBL60CM18	33, 35	HBL74CM23WO	33, 35, 43
DR15AL	38	HBL316CRC	22	HBL60CM19	35	HBL74CM24WO	8, 43
DR15ALTR	38	HBL316CSW	22	HBL60CM23	32	HBL74CM25WOA	8, 30, 34, 43
DR15ALWRTR	38	HBL316CSW25	22	HBL60CM24	32	HBL74CM25WOAW	8, 30, 34, 43







# Marine Products

## Catalog Number Index

Catalog Number	Page Number	Catalog Number	Page Number	Catalog Number	Page Number	Catalog Number	Page Number
HBL7774WO	11, 13, 43	NP1GY	W-40	NP126	W-40	PH6599	28
HBL77CM15	10, 12	NP1I	W-40	NP126BK	W-40	PH6599W	28
HBL77CM15W	10, 12	NP1W	W-40	NP126GY	W-40	PH6619	29, 44
HBL77CM16	11, 13	NPJ1	W-40	NP126I	W-40	PH6621	29
HBL77CM16W	11, 13	NPJ1BK	W-40	NP126W	W-40	PH6624	28
HBL77CM17	10, 12	NPJ1GY	W-40	NPJ126	W-40	PH6625	28
HBL77CM67	10, 12	NPJ1I	W-40	NPJ126BK	W-40	PH6630	28
HBL77CM74WO	11, 13, 43	NPJ1W	W-40	NPJ126GY	W-40	PH7440	28
HBL8200LI	38	NP8	W-40	NPJ126I	W-40	PH7499	28
HBLCBINM	5	NP8BK	W-40	NPJ126W	W-40	RPL30P	6, 7, 9
HBLCBISS	5	NP8GY	W-40	NP7	W-40	RW57500	42
HBLPHTVNM	28	NP8I	W-40	NP7BK	W-40	RW57600	42
HBLPHTVRI	28	NP8W	W-40	NP7GY	W-40	RW57950	42
HBLPHTVSS	28	NPJ8	W-40	NP7I	W-40	SB1	40
HBLTVSS	28	NPJ8BK	W-40	NP7W	W-40	SB126	40
LR100	16, 17, 18, 19	NPJ8GY	W-40	NPJ7	W-40	SB13	40
M11LRGSP	31	NPJ8I	W-40	NPJ7BK	W-40	SB18	40
M11LRSP	31	NPJ8W	W-40	NPJ7GY	W-40	SB2	40
M11LTR	31	NP26	W-40	NPJ7I	W-40	SB26	40
M11LTRM	31	NP26BK	W-40	NPJ7W	W-40	SB262	40
M11MSP	31	NP26GY	W-40	NP13	W-40	SB7	40
M11SP	31	NP26I	W-40	NP13BK	W-40	SB8	40
M123LTR	31	NP26W	W-40	NP13GY	W-40	SB82	40
M123MMSP	31	NPJ26	W-40	NP13I	W-40	SFFGBK	41
M123MSP	31	NPJ26BK	W-40	NP13W	W-40	SFFGEI	41
M123SP	31	NPJ26GY	W-40	NPJ13	W-40	SFFGGY	41
M21SP	31	NPJ26I	W-40	NPJ13BK	W-40	SFFGW	41
M223JSP	31	NPJ26W	W-40	NPJ13GY	W-40	SR3050	5, 10, 12
M223MMSP	31	NP2	W-40	NPJ13I	W-40	SS1	40
M223SP	31	NP2BK	W-40	NPJ13W	W-40	SS126	40
M4100B12R	16	NP2GY	W-40	NS612BK	41	SS13	40
M4100C12	17	NP2I	W-40	NS612GY	41	SS18	40
M4100C12R	16	NP2W	W-40	NS612I	41	SS2	40
M4100P12	17	NPJ2	W-40	NS612W	41	SS26	40
M4100R12	17	NPJ2BK	W-40	NS613BK	41	SS262	40
M5100B7R	18	NPJ2GY	W-40	NS613GY	41	SS7	40
M5100B9R	18	NPJ2I	W-40	NS613I	41	SS720	8
M5100C7	19	NPJ2W	W-40	NS613W	41	SS725	8
M5100C7R	18	NP82	W-40	NS783BK	41	SS750	11, 13
M5100C9	19	NP82BK	W-40	NS783GY	41	SS8	40
M5100C9R	18	NP82GY	W-40	NS783I	41	SS82	40
M5100P7	19	NP82I	W-40	NS783W	41	TV97	29
M5100P9	19	NP82W	W-40	NSJ5EBK	41	TV98	29
M5100R7	19	NPJ82	W-40	NSJ5EGY	41	TV98W	29
M5100R9	19	NPJ82BK	W-40	NSJ5EI	41	TV99	29
M5200BS1R	20	NPJ82GY	W-40	NSJ5EW	41	TV99W	29
M5200CS1	21	NPJ82I	W-40	NSJ6BK	41	VCGP100	45
M5200CS1R	20	NPJ82W	W-40	NSJ6GY	41	WC310280	6
M5200PS1	21	NP262	W-40	NSJ6I	41	YC306250	11
M5200RS1	21	NP262BK	W-40	NSJ6W	41	YC310250	6
MB2003W	21	NP262GY	W-40	NSJUBK	41	YC312250	34
MB2004W	21	NP262I	W-40	NSJUGY	41	YC314250	32
MH11	31	NP262W	W-40	NSJUI	41	YC406250	13
MHB11	31	NPJ262	W-40	NSJUW	41	YQ100PLUS	24
MR11LRSP	31	NPJ262BK	W-40	NVA15GHGA	45	YQ230	24
MR11MSP	31	NPJ262GY	W-40	NVBA	45		
MR11SP	31	NPJ262I	W-40	NVGA	45		
MR123LRSP	31	NPJ262W	W-40	NVX15GHGA	45		
MR123MMSP	31	NP18	W-40	PC100	17, 19		
MR123MSP	31	NP18BK	W-40	PC320	23		
MR123SP	31	NP18GY	W-40	PC3430	23		
MR21SP	31	NP18I	W-40	PC60	23		
MR223LRSP	31	NP18W	W-40	PH6595	29		
MR223MMSP	31	NPJ18	W-40	PH6596	29		
MR223SP	31	NPJ18BK	W-40	PH6597	29		
MSB1	31	NPJ18GY	W-40	PH6597TV	29		
NP1	W-40	NPJ18I	W-40	PH6598	28		
NP1BK	W-40	NPJ18W	W-40	PH6598W	28		



Marine Products  
**RoHS Product Index**



RoHS compliance is an on going commitment at Hubbell. The following is a current list of compliant Hubbell Marine Products at time of this printing. For the most current list of all Hubbell Wiring Device-Kellems, visit us at [www.hubbell-wiring.com](http://www.hubbell-wiring.com).

Catalog Number	Page Number	Catalog Number	Page Number	Catalog Number	Page Number	Catalog Number	Page Number
BB601W	23	HBL504RI	12	HBL61CM72	26	M5100R7	19
CR15AL	38	HBL504SS	12	HBL63CM61	11	M5100R9	19
CR15GRY	38	HBL52CM66V	33	HBL63CM64	12	NP13	40
CR15LA	38	HBL52CM69V	33	HBL63CM65	13	NP13W	40
CR15WHI	38	HBL52CM80C	33	HBL63CM69	13	NS612GY	41
CS115AL	39	HBL60CM31W	8	HBL64CM54	27	NS783BK	41
CS115I	39	HBL60CM33	8	HBL64CM55	27	NS783GY	41
CS115OW	39	HBL60CM33V	9	HBL64CM56	27	NSJ5EI	41
CS315GY	39	HBL60CM33W	8	HBL64CM57	27	NSJ6I	41
CS315LA	39	HBL60CM75	5	HBL64CM59	27	NSJUI	41
CS315W	39	HBL61CM03	6	HBL77CM15	10	RPL30P	6
HBL10CM22S	42	HBL61CM03W	6	HBL77CM15W	10	SB18	40
HBL10CM23S	42	HBL61CM05	6	HBL77CM16	11	SR3050	5
HBL10CM35S	42	HBL61CM08	6	HBL77CM16W	11	WC310280	6
HBL10CM36S	42	HBL61CM08W	6	HBL77CM17	10	YC306250	11
HBL10CM37S	42	HBL61CM100	26	HBL77CM67	10	YC310250	6
HBL10CM41S	42	HBL61CM22	26	HBLCBINM	5	YC312250	34
HBL21CM28	26	HBL61CM22W	26	HBLCBISS	5	YC314250	32
HBL21CM29	26	HBL61CM25	26	M4100B12R	16	YC406250	13
HBL23CM13V	34	HBL61CM42	13	M4100C12	17		
HBL26CM11VB	9	HBL61CM42W	13	M4100C12R	16		
HBL303INT	5	HBL61CM43	11	M4100P12	17		
HBL303NM	5	HBL61CM52	13	M4100R12	17		
HBL303SS	5	HBL61CM52W	13	M5100B7R	18		
HBL303SSBL	5	HBL61CM53	11	M5100B9R	18		
HBL303SSO	5	HBL61CM53W	11	M5100C7	19		
HBL31CM28	26	HBL61CM54	26	M5100C7R	18		
HBL503NM	10	HBL61CM55	26	M5100C9	19		
HBL503RI	10	HBL61CM56	26	M5100C9R	18		
HBL503SS	10	HBL61CM59	26	M5100P7	19		
HBL504NM	12	HBL61CM71	26	M5100P9	19		





## Marine Products Group

Hubbell Incorporated (Delaware) • 185 Plains Road, Milford, CT 06461-2420 • Phone: (800) 288-6000 • Fax: (800) 255-1031

Printed In U.S.A. Copyright 2008, Hubbell Incorporated • Specifications subject to change without notice.

® Registered Trademark of Hubbell Incorporated. • ™ Trademark of Hubbell Incorporated.

H5263