

Features

- Operates on 50Hz or 60Hz AC Voltage
- Will Operate Continuously Without Overheating
- Easy Single Screw Mounting



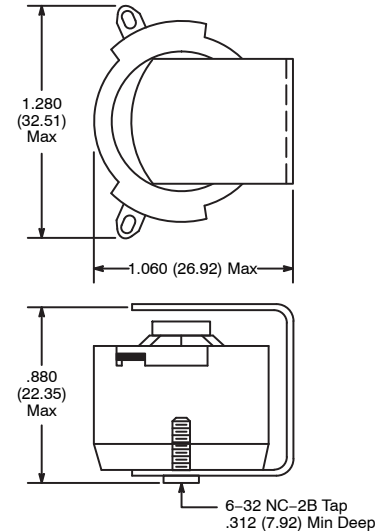
| AC OPERATED | | | | |
|--------------|-----------------|----------------------------|--------------------|----------|
| NTE Type No. | Nominal Voltage | Resistance Ohms $\pm 10\%$ | Nominal Coil Power | Diag No. |
| RB-12 | 12VAC | 20 | 3.0VA | D56 |
| RB-24 | 24VAC | 80 | 3.0VA | D56 |
| RB-120 | 120VAC | 2025 | 3.0VA | D56 |
| RB-240 | 240VAC | 8000 | 3.0VA | D56 |

RB Series



AC Buzzer, Typical Applications Include Toasters, Ovens, Alarms, and Signaling Devices.

D56



Electrical Specifications

Coil Data

Coil Voltages: AC Only: Up to 277 Volts/60Hz

Operate Data

Operating Voltage: $\pm 15\%$ of Nominal

Sound Pressure Level: (Nominal Voltage)
 93 dBA at 15 cm (Average)
 74 dBA at 1.0 Meters (Average)

Insulation Characteristics

Dielectric Strength

Between all Elements: 1000 VRMS, 60Hz

Environmental Characteristics

Operating Ambient: -45°C to $+110^{\circ}\text{C}$

Coil Temperature Rise: (25 $^{\circ}\text{C}$ Ambient – Continuous Duty)
 45 $^{\circ}\text{C}$ Approx. @ 60Hz – Use at 50Hz will
 Cause Slight Increase in Coil Rise

Mechanical Data

Terminals: Pierced solder lugs .187" x .020"

Weight

Std: 31 gram approx.