

# Nylon Paddle Toggle

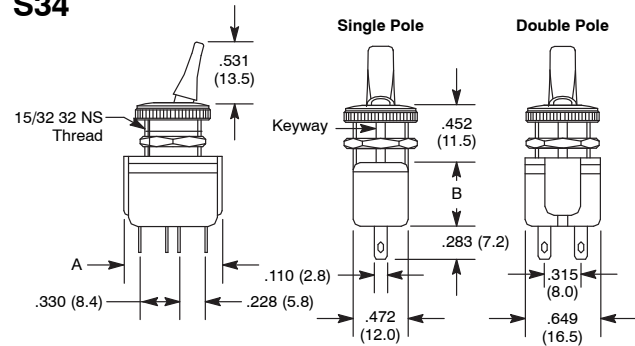


## Features

- Quick Connect Terminals
- Insulated Actuator



## S34



Device Type	A	B
Single Pole	.748 (19.0)	.551 (14.0)
Double Pole	.826 (21.0)	.590 (15.0)

NTE Type No.	Circuitry	Action			Actuator	Diag No.
54-317	SPDT	ON	NONE	ON	Black Polyamide 6-6	S34
54-318	SPDT	ON	OFF	ON	Black Polyamide 6-6	S34
54-319	SPST	ON	NONE	OFF	Black Polyamide 6-6	S34
54-320	DPST	ON	NONE	OFF	Black Polyamide 6-6	S34
54-321	DPDT	ON	NONE	ON	Black Polyamide 6-6	S34
54-322	DPDT	ON	OFF	ON	Black Polyamide 6-6	S34

## Specifications

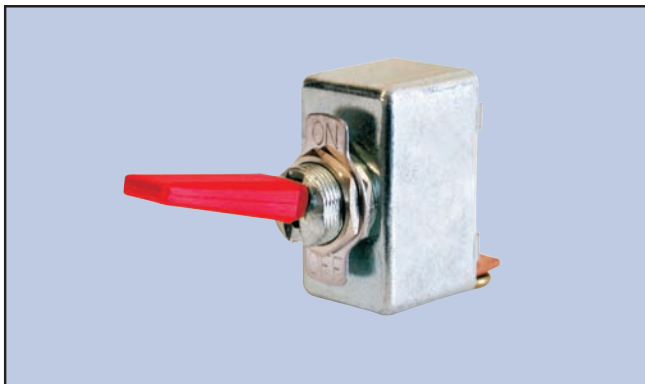
**Current Rating:** 6A 125VAC, 4A 250VAC  
**Insulation Resistance:** 1000 Megohms (min.) at 500VDC  
**Dielectric Strength:** 2000V RMS (min.) between terminals  
**Temperature Rating:** -4° to +131°F (-20° to +55°C)  
**Electrical Life:** 10,000 cycles (min.)  
**Terminal Type:** Solder Lug/Quick Connect  
**Mounting Hole:** .492 (12.5)

# Paddle Handle Toggle

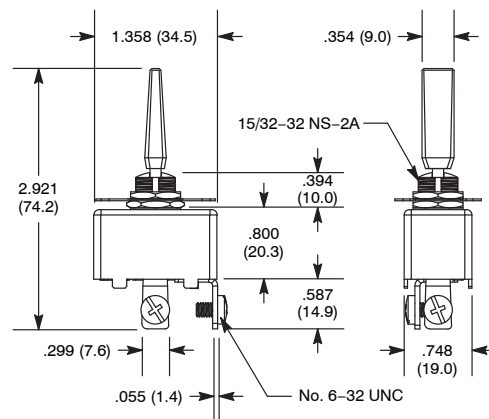


## Features

- 50 Amps at 12VDC
- Suitable for Low Voltage, High Amperage Applications
- Screw Terminals



## S26



## Specifications

**Current Rating:** 50A 12VDC  
**Insulation Resistance:** 100 Megohms (min.) at 500VDC  
**Dielectric Strength:** 1500V RMS (min.)  
**Temperature Rating:** -4° to +180°F (-20° to +85°C)  
**Electrical Life:** 25,000 cycles  
**Mechanical Life:** 100,000 cycles  
**Terminal Type:** Screw Type  
**Mounting Hole:** .500 (12.7)

NTE Type No.	Circuitry	Action			Actuator		Diag No.
					Material	Color	
54-560	SPST	ON	NONE	OFF	ABS	Black	S26
54-561	SPST	ON	NONE	OFF		Red	S26
54-562	SPST	ON	NONE	OFF	ABS w/Chrome Plating	Chrome	S26