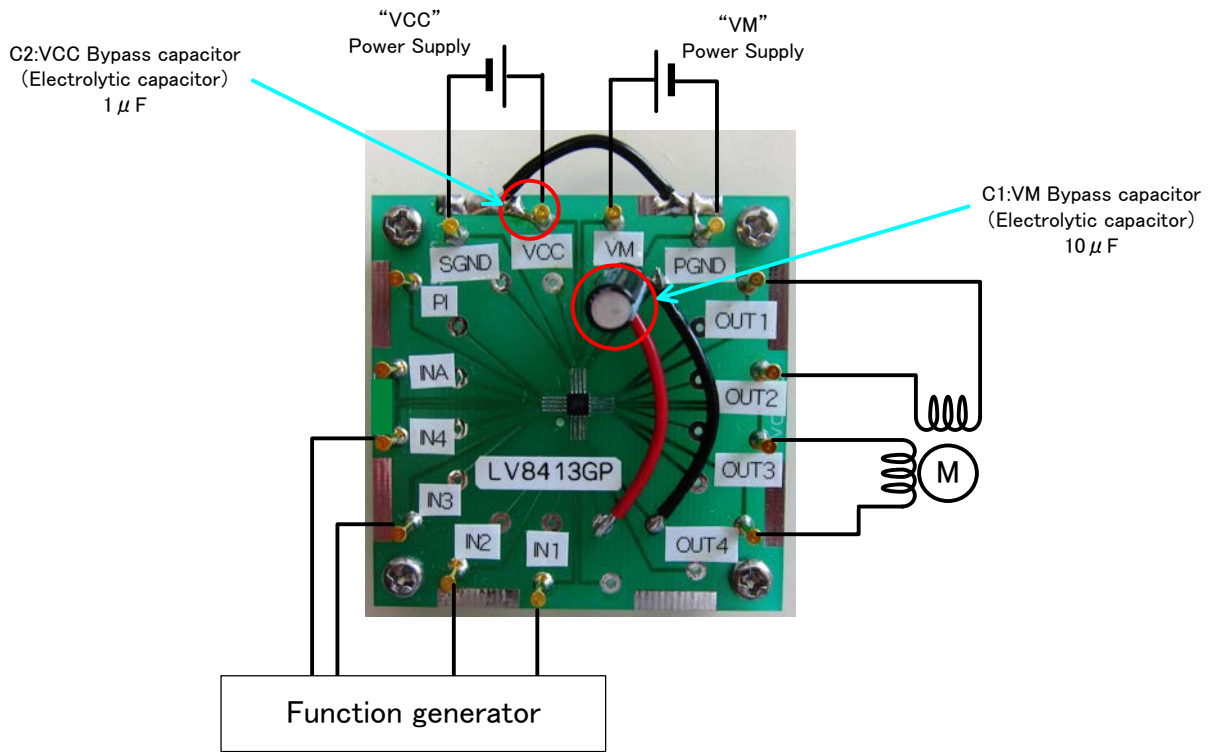
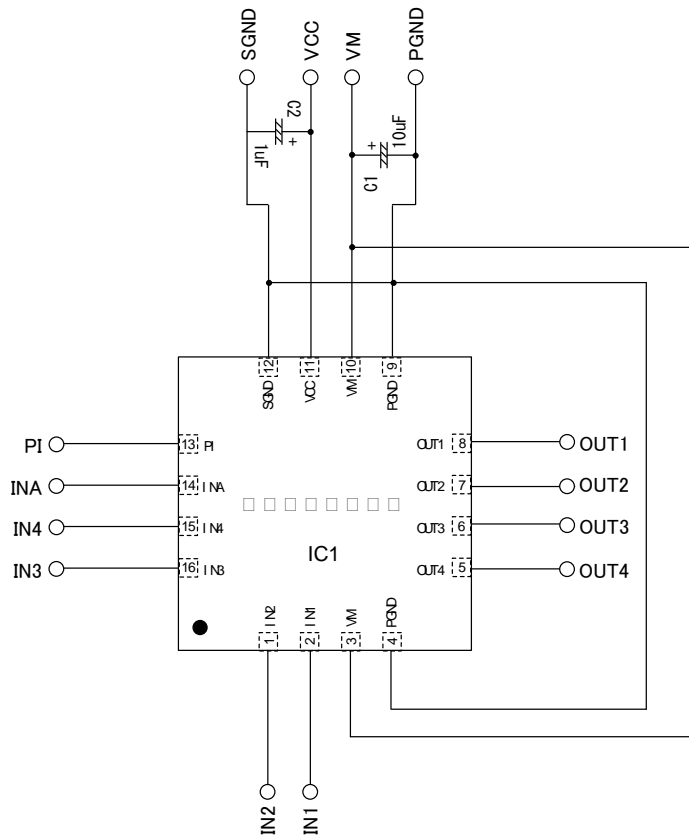


Test Procedure for the LV8413GPGEVB Evaluation Board



(Circuit diagram of the evaluation board)



Supply Voltage:

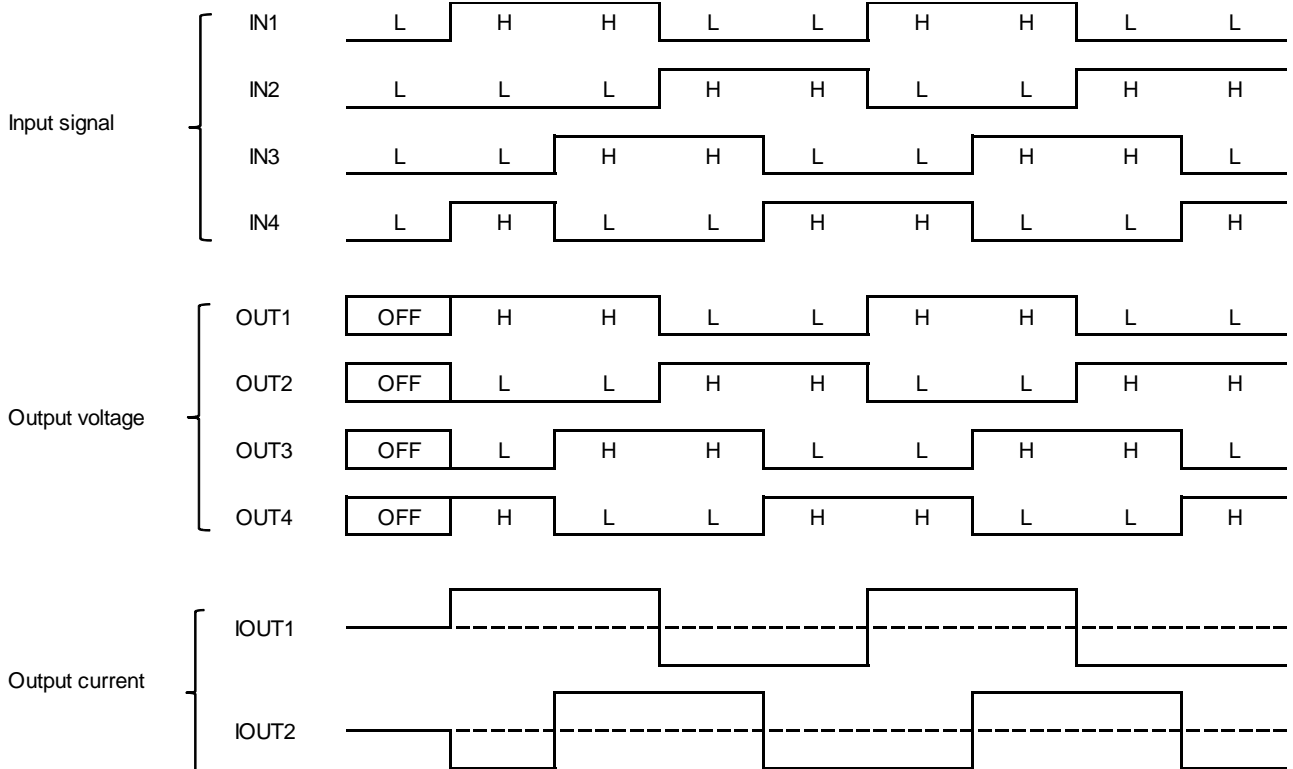
- VM (2.5 to 5.5V): Motor power supply voltage for IC
- VCC(2.5 to 5.5V): Control power supply voltage for IC

Toggle Switch State:

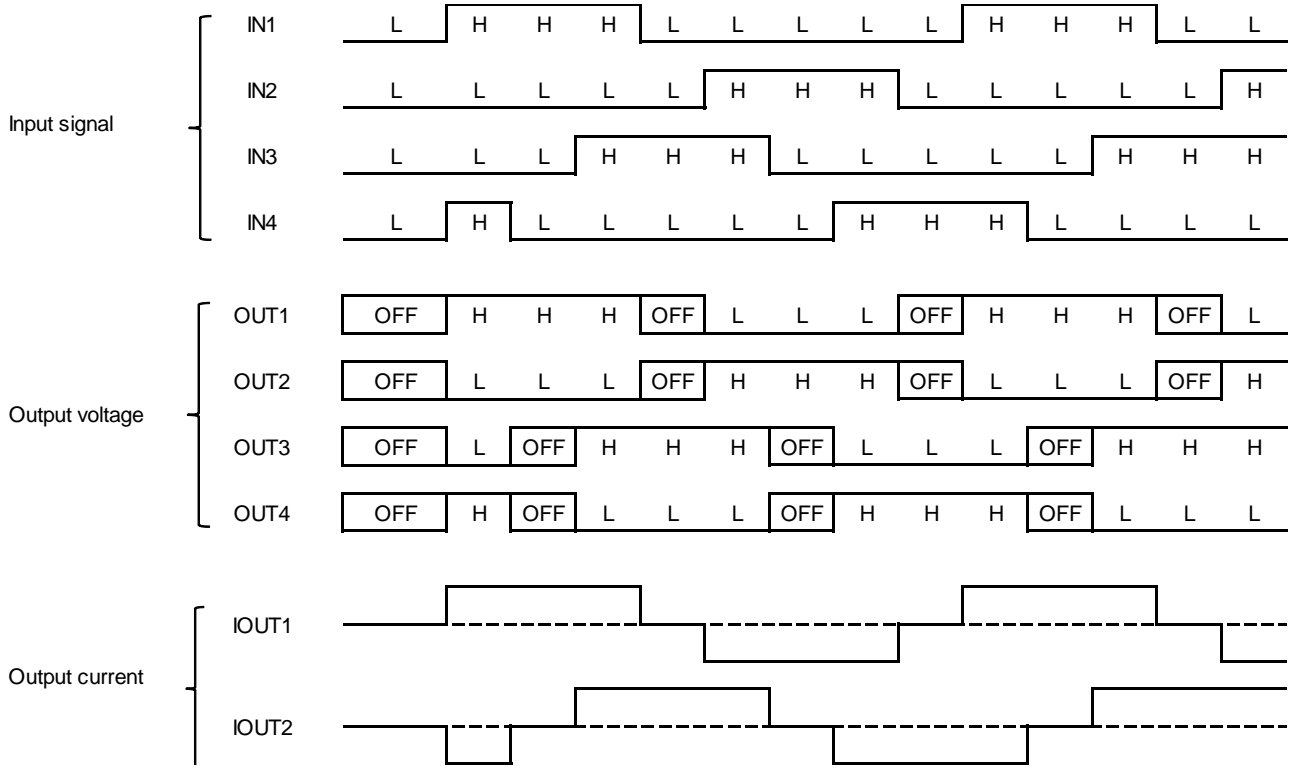
- Upper Side: High (VCC)
- Middle: Open, enable to external logic input
- Lower Side: Low (GND)

Testing Procedure:

1. Connect a stepper motor with OUT1, OUT2, OUT3 and OUT4.
2. Connect the motor power supply with the terminal VM, the control power supply with the terminal VCC. Connect the GND line with the terminal PGND and SGND.
3. Stepper motor drives it in 2phase excitation or 1-2 phase excitation by inputting a signal such as follows into IN1, IN2, IN3 and IN4.
4. Check the stepper motor is rotating.
5. Check the waveform of the output voltage and current. (Please refer to the following waveform example).



2 phase excitation timing chart



1-2 phase excitation timing chart

- Stepper motor driving waveform example

