



**Model Number**

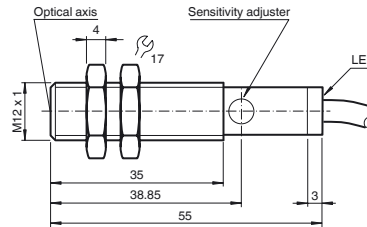
**GLV12-8-200/36/40b/115**

Diffuse mode sensor  
with 2 m fixed cable

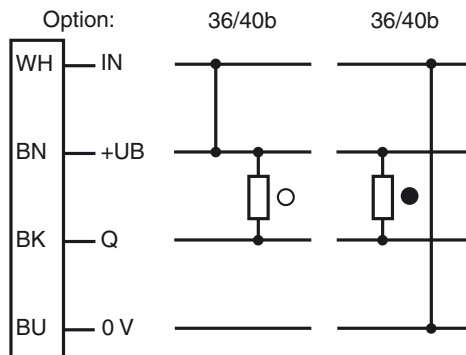
**Features**

- M12 threaded housing made of brass, nickel plated
- Visible red light
- Light/dark ON, programmable
- Degree of protection IP67

**Dimensions**



**Electrical connection**



○ = Light on  
● = Dark on

Release date: 2014-04-07 10:39 Date of issue: 2014-04-22 084775\_eng.xml

**Technical data****General specifications**

Detection range	0 ... 200 mm
Adjustment range	20 ... 200 mm
Reference target	standard white 200 mm x 200 mm
Light source	LED, 640 nm
Light type	modulated visible red light
Ambient light limit	20000 Lux

**Indicators/operating means**

Function indicator	LED yellow: switching state
Control elements	Detection range adjuster

**Electrical specifications**

Operating voltage	$U_B$	10 ... 30 V DC
Ripple		10 %
No-load supply current	$I_0$	$\leq 20$ mA
Time delay before availability	$t_v$	$\leq 25$ ms

**Input**

Control input	light on +UB dark on: 0 V
---------------	------------------------------

**Output**

Switching type	light/dark on
Signal output	1 NPN output, short-circuit protected, reverse polarity protected, open collector
Switching voltage	max. 30 V DC
Switching current	max. 300 mA
Voltage drop	$U_d$ $\leq 3$ V
Switching frequency	$f$ $\leq 700$ Hz
Response time	$\leq 0.7$ ms

**Standard conformity**

Standards	EN 60947-5-2
-----------	--------------

**Ambient conditions**

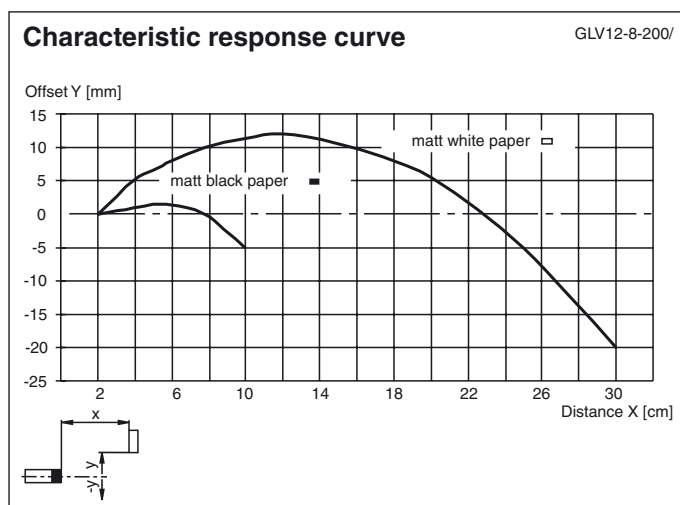
Ambient temperature	-25 ... 55 °C (-13 ... 131 °F)
Storage temperature	-40 ... 70 °C (-40 ... 158 °F)

**Mechanical specifications**

Degree of protection	IP67
Connection	2 m fixed cable
Material	
Housing	brass, nickel-plated
Optical face	PMMA
Mass	45 g

**Approvals and certificates**

CCC approval	CCC approval / marking not required for products rated $\leq 36$ V
Approvals	CE

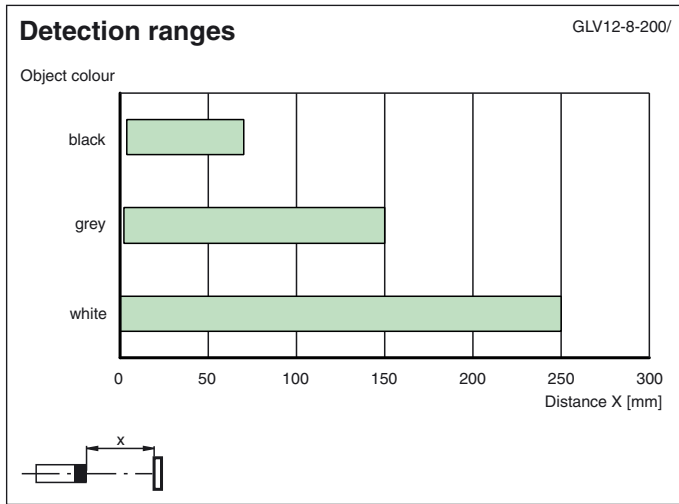
**Curves/Diagrams****Accessories****BF 12**

Mounting flange, 12 mm

**BF 5-30**

Universal mounting bracket for cylindrical sensors with a diameter of 5 ... 30 mm

Other suitable accessories can be found at [www.pepperl-fuchs.com](http://www.pepperl-fuchs.com)



Release date: 2014-04-07 10:39 Date of issue: 2014-04-22 084775\_eng.xml

Refer to "General Notes Relating to Pepperl+Fuchs Product Information".

Pepperl+Fuchs Group  
www.pepperl-fuchs.com

USA: +1 330 486 0001  
fa-info@us.pepperl-fuchs.com

Germany: +49 621 776 4411  
fa-info@de.pepperl-fuchs.com

Singapore: +65 6779 9091  
fa-info@sg.pepperl-fuchs.com