



Model Number

40FY28-33

Features

- Hall Effect Sensor
- Door Interrupt Sensor
- Tamper resistant magnetic actuator

Accessories

41FY1

41FY2

V1-G-2M-PVC

Female cordset, M12, 4-pin, PVC cable

Technical Data

General specifications

Switching element function		NPN normally open contact
Rated operating distance	s_n	Use either 41FY1 - 6.4 - 15.2 mm or 41FY2 - 7.6 - 19 mm
Installation		non-flush
Output polarity		DC

Nominal ratings

Operating voltage	U_B	10 ... 30 V DC
Hysteresis	H	5 ... 25 %
Short-circuit protection		yes
Voltage drop	U_d	≤ 2.5 V DC
Repeat accuracy		+/- 3 %
Operating current	I_L	≤ 200 mA
Off-state current	I_r	≤ 30 mA
No-load supply current	I_0	≤ 40 mA

Indicators/operating means

LED indicator	switching state
---------------	-----------------

Electrical specifications

Electrical rating	10 - 30 V DC
-------------------	--------------

Ambient conditions

Ambient temperature	-30 ... 85 °C (-22 ... 185 °F)
---------------------	--------------------------------

Mechanical specifications

Connection type	Connector M12 x 1, 4-pin
Housing material	Polycarbonate
Sensing face	Polycarbonate
Degree of protection	IP67

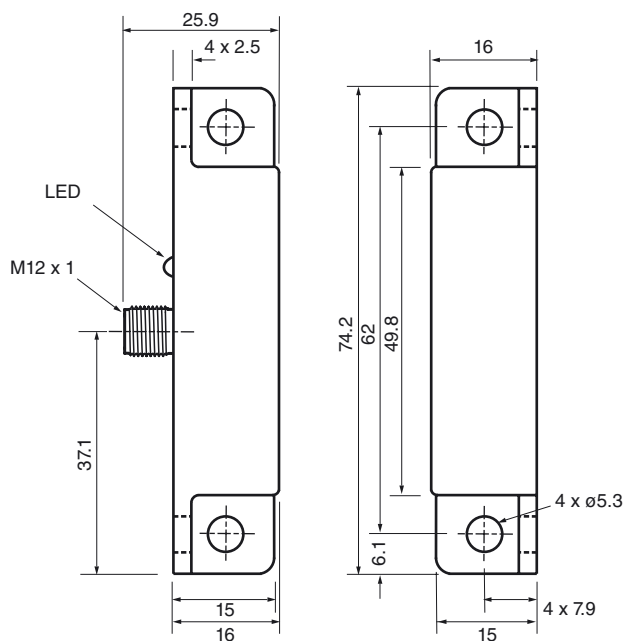
Compliance with standards and directives

Standard conformity	
Standards	EN 60947-5-2:2007 IEC 60947-5-2:2007

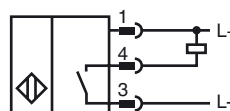
Approvals and certificates

UL approval	cULus Listed, General Purpose
CSA approval	cCSAus Listed, General Purpose

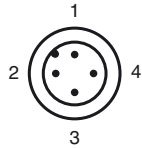
Dimensions



Electrical Connection



Pinout



Wire colors in accordance with EN 60947-5-2

1		BN	(brown)
2		WH	(white)
3		BU	(blue)
4		BK	(black)