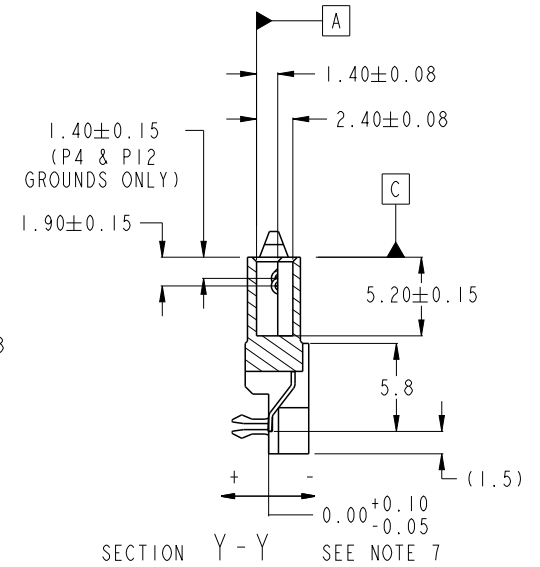
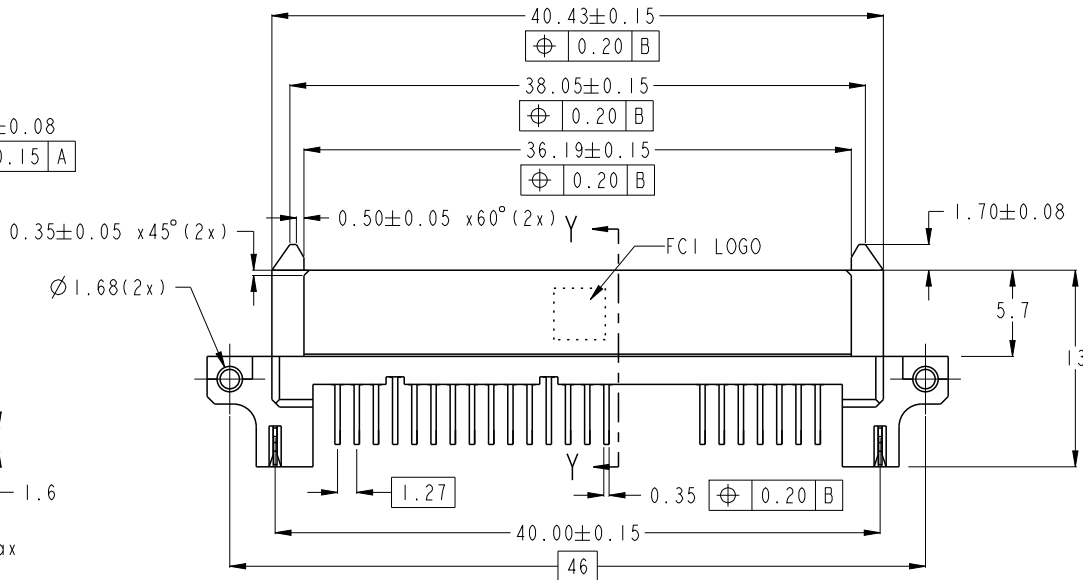
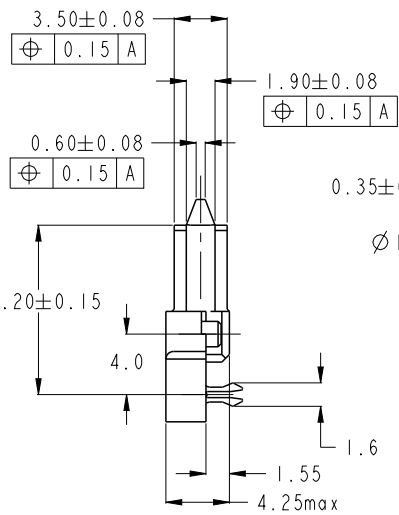
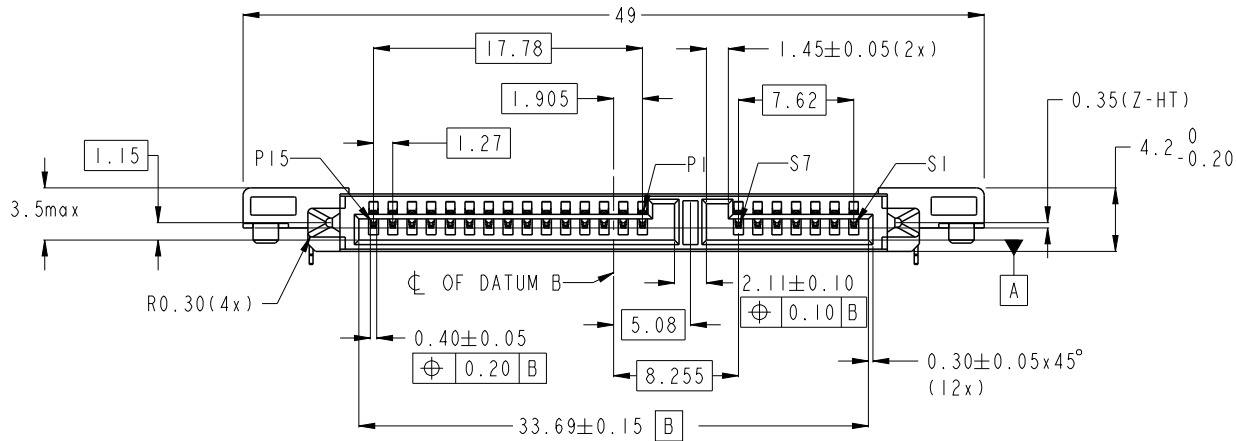


PRODUCT NO.

SEE TABLE



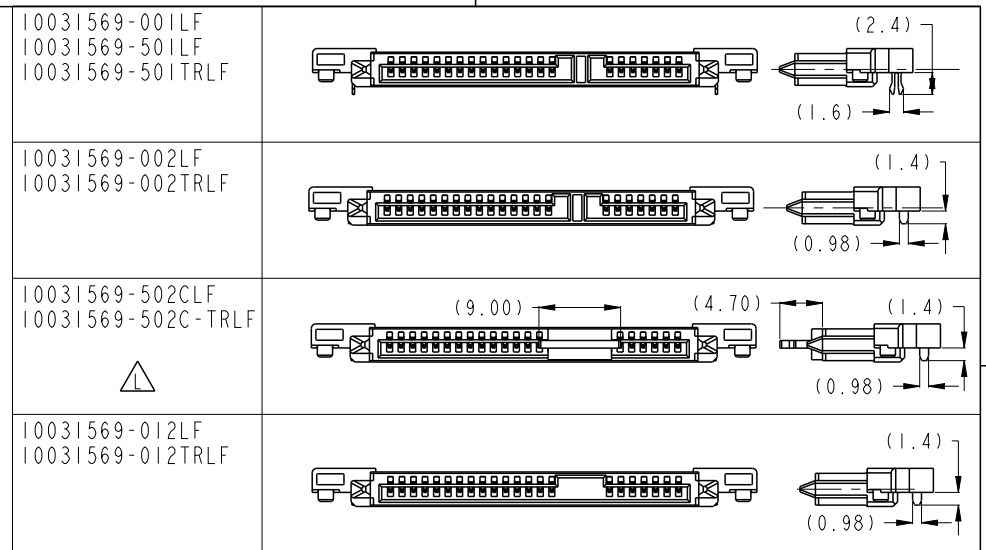
spec ref		dr w cadmin		2006/02/16		projection		size A4		scale 1:1	
tolerance std		eng Koon-Poh Tay		2014/07/10						ecn no	
ASME Y14.5		chr -		-						ELX-S-18255-1	
surface <input checked="" type="checkbox"/>		appr Chen-Hong Tan		2014/07/15		product family		rel level		Released	
		linear		0.X ±0.25 0.XX ±0.20 0.XXX ±0.10				title S-ATA RECEPTACLE TOP MOUNT R/A SMT ASSY		dwg no 10031569	
angular 0° ±°		www.fci.com		cat. no.		Product - Customer Drw				sheet 1 of 2	

Prod File - REV C - 2009-06-09



Copyright FCI.

PRODUCT NO.	RECOMMENDED P.C.B. THICKNESS	PLATING	PACKAGING	REMARKS
10031569-001LF	1.6mm	NOTE 2	TRAY	
10031569-501LF		NOTE 8	TRAY	
10031569-501TRLF		NOTE 8	TAPE & REEL	
10031569-002LF	-	NOTE 2	TRAY	
10031569-002TRLF	-	NOTE 2	TAPE & REEL	
10031569-502LF	-	NOTE 8	TRAY	
10031569-502CLF	-	NOTE 8	TRAY	WITH SUPPORTING CAP
10031569-502C-TRLF	-	NOTE 8	TAPE & REEL	WITH SUPPORTING CAP
10031569-012LF	-	NOTE 2	TRAY	
10031569-012TRLF	-	NOTE 2	TAPE & REEL	



NOTES:-

1. MATERIAL:

1) HOUSING : HIGH TEMP. THERMOPLASTIC, UL 94V-0
COLOR : BLACK

2) TERMINAL : COPPER ALLOY
3) HOLD DOWN : COPPER ALLOY

2. FINISH:

1) TERMINAL : 30u" Au PLATING (CONTACT POINT) OVER 50u" MIN NICKEL
2) SOLDER TAIL : 100u" MIN TIN OVER 50u" NICKEL
3) HOLD DOWN : 100u" MIN TIN OVER 50u" NICKEL

3. THE STANDARD PACKAGING IS IN TRAY.

4. THE HOUSING WILL WITHSTAND EXPOSURE TO 260°C PEAK TEMPERATURE FOR 10 SECONDS IN A CONVECTION, INFRA-RED OR VAPOR PHASE REFLOW OVEN.

5. THIS PRODUCT MEETS EUROPEAN UNION DIRECTIVES AND OTHER COUNTRY REGULATIONS AS DESCRIBED IN GS-47-0004

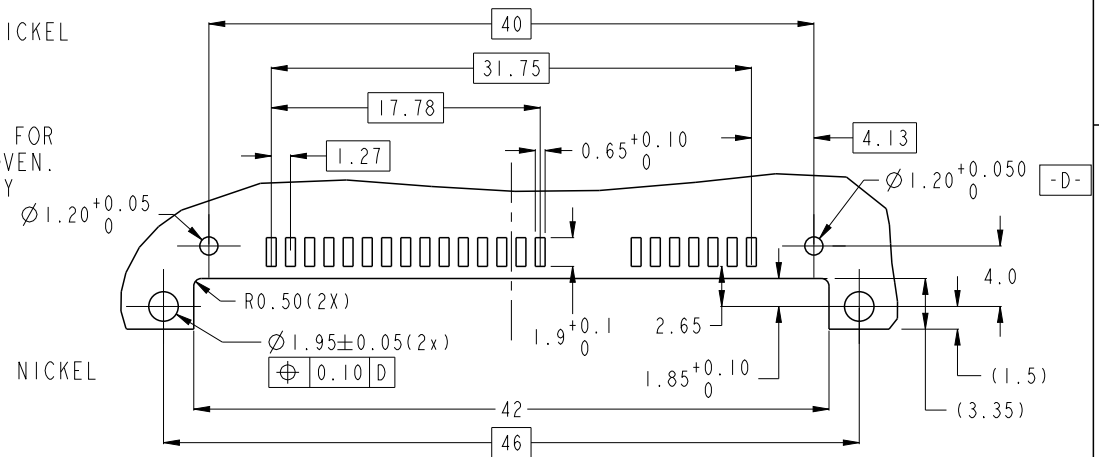
6. PART NUMBERS ENDING IN "LF" ARE MEANT FOR LEAD-FREE IDENTIFICATION. P/N XXXXXXXX-XXXLF IS EQUIVALENT TO PREVIOUS P/N XXXXXXXX-XXX

7. ALL SOLDER TAIL TO BE WITHIN 0.12mm MAX. COPLANARITY.

8. FINISH:

1) TERMINAL : 15u" Au PLATING (CONTACT POINT) OVER 50u" MIN NICKEL
2) SOLDER TAIL : 100u" MIN TIN OVER 50u" NICKEL
3) HOLD DOWN : 100u" MIN TIN OVER 50u" NICKEL

9. A \triangle SYMBOL WILL BE NEXT TO ANY DIMENSION, VIEW, OR NOTE WHICH HAS BEEN MODIFIED WITH THE CURRENT DRAWING REVISION.



RECOMMENDED P.C.B LAYOUT
TOLERANCE UNLESS OTHERWISE: ± 0.1

spec ref		dr	w wcadmin	2006/02/16	projection 	size A4	scale 1:1
tolerance std		eng	Koon-Poh Tay	2014/07/10			
ASME Y14.5		chr	-	-			
TOLERANCES UNLESS OTHERWISE SPECIFIED		appr	Chen-Hong Tan	2014/07/15	product family	ecn no	ELX-S-18255-1
surface <input checked="" type="checkbox"/>					rel level	Released	
linear	0.X	± 0.25		title S-ATA RECEPTACLE	dwg no	10031569	rev L
	0.XX	± 0.20					
0.XXX	± 0.10						
angular	0°	\pm	www.fci.com	cat. no.	Product - Customer Drw		sheet 2 of 2