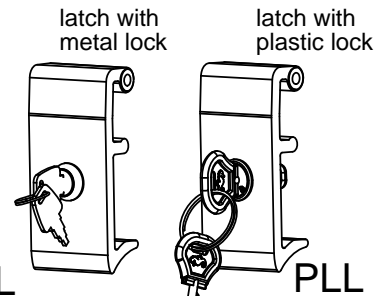
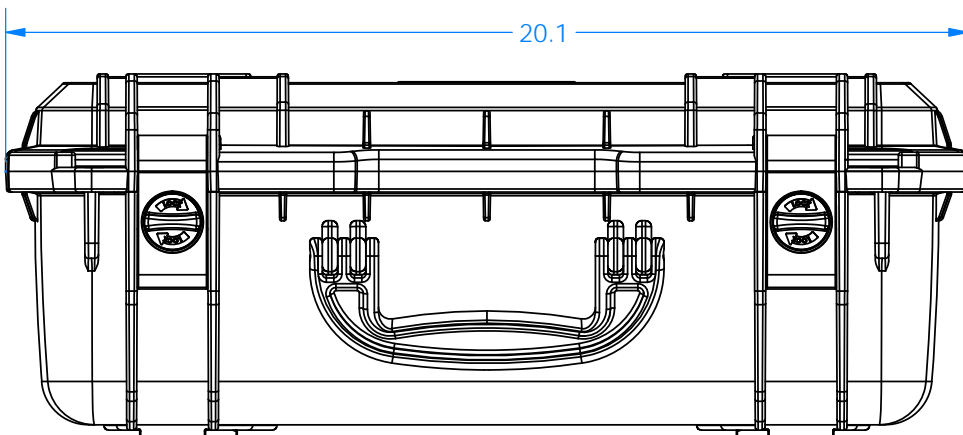
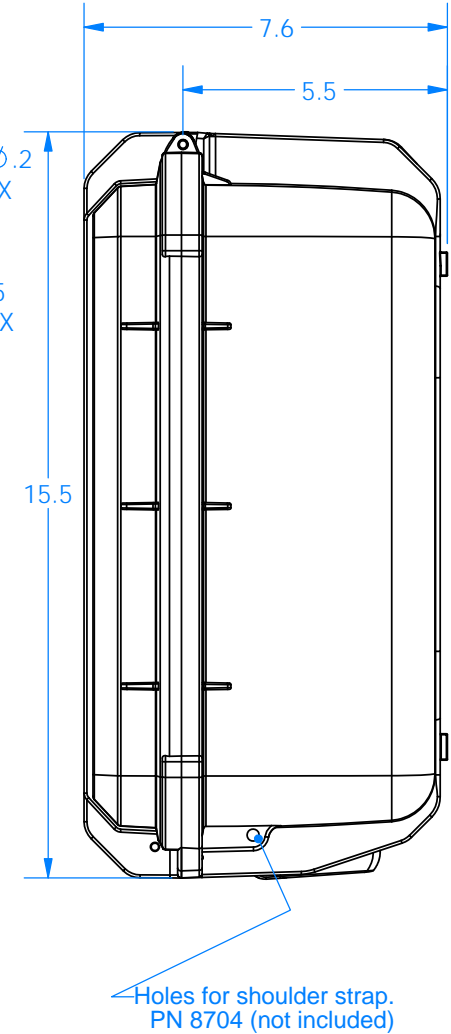
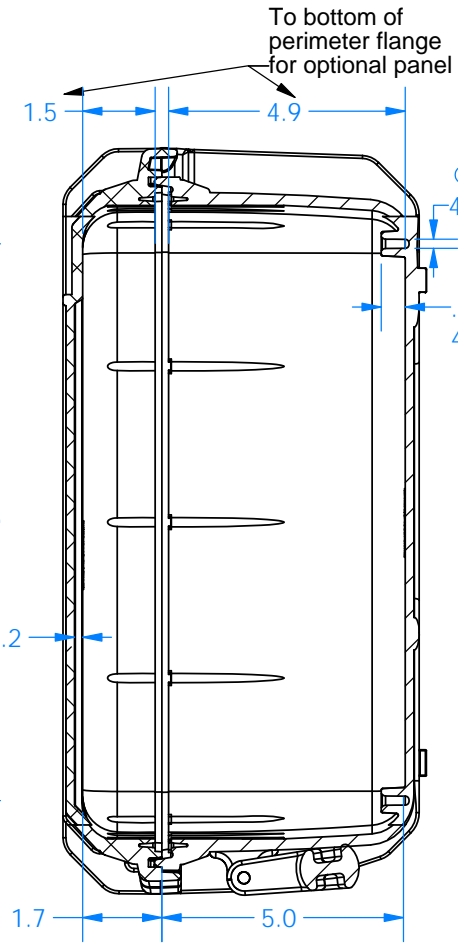
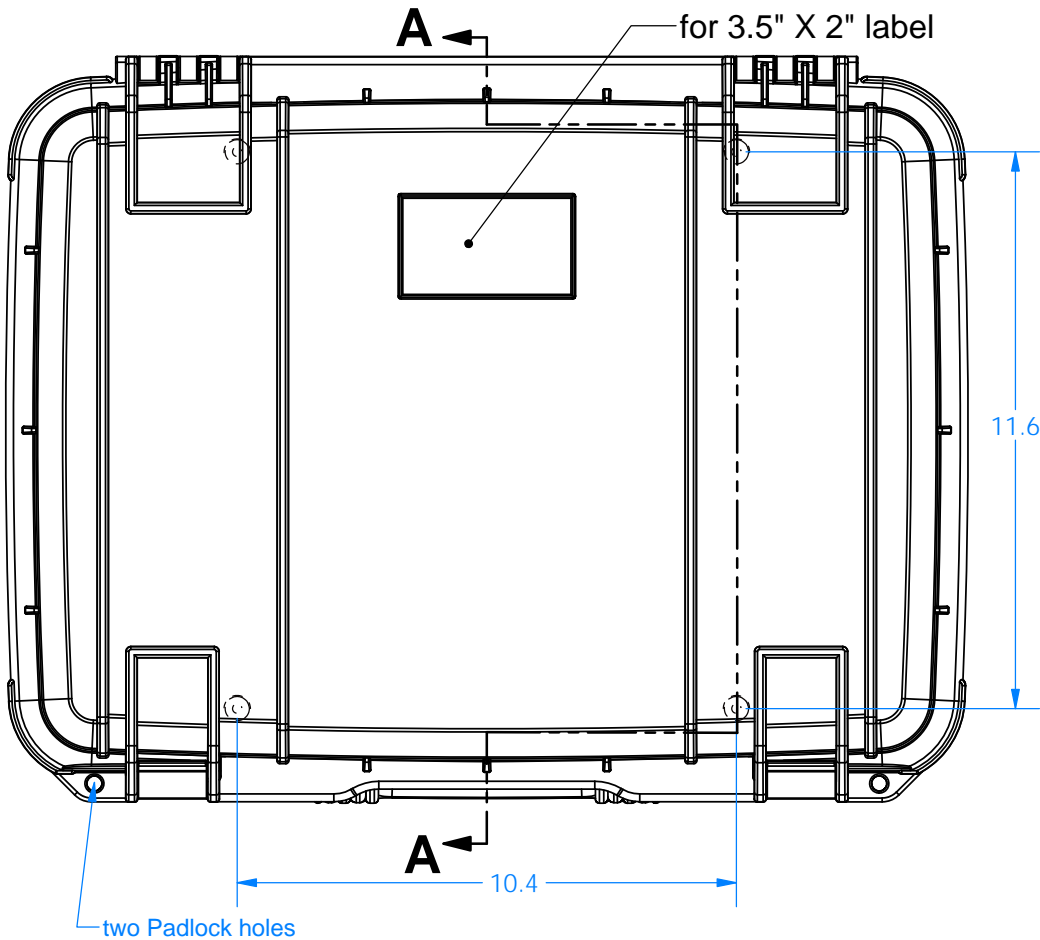


# SERPAC SE720

Electronic Enclosures



Optional latches must be specified at time of order. See note 2

### NOTES:

- 1) Max. usable inside dimensions are:  
18 5/16" X 13 3/16" X 4 1/16"  
(4 9/16" bottom of boss) (18.3" X 13.2" X 4.1")
- 2) With Metal Lock Latches p/n SE710ML and Plastic Lock Latches p/n SE710PL are optional.

6/23/14

2009 Wright Ave. La Verne, CA 91750

Ph. (626) 339-6673 Fx. (626) 331-8584 www.serpac.com