

## GENERAL PURPOSE SNAP ACTION (Cont.)



Fig. 1



Fig. 2



Fig. 3



Fig. 4

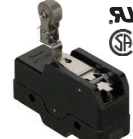


Fig. 5

Retail Part No.	Bulk Part No.	Fig. No.	Amps **VAC	Amps 125 VDC	Amps 250 VDC	HP 125 VAC	HP 250 VAC	PT Max. (In)	OT Min. (In)	DT Max. (In)	OF Max. Oz. (grams)	Actuator	Actuator Length (In)	Terminal Type	Spec Drawing Page No.
35-3908	35-3908-BU	1	20	1/2	1/4	3/4	1-1/2	0.025	0.22	0.002	20 (567)	High OT Pl		Sc	299-A
35-3914	35-3914-BU	2	20	1/2	1/4	3/4	1-1/2	0.020	0.062	0.002	13 (368)	Small OT Pl		Sc	299-A
35-3916	35-3916-BU	3	20	1/2	1/4	3/4	1-1/2	0.380	0.190	0.078	2.5-18 (71-510)	Lever	2.34	Sc	299-B
35-3921	35-3921-BU	4	20	1/2	1/4	N/R	N/R	0.080	0.090	0.008	10-13 (284-370)	RARO	0.65	Sd/Sc	299-C
35-3922	35-3922-BU	5	20	1/2	1/4	1/2	1		0.094	0.020	18 (510)	HRo	0.91	Sc	299-D

Notes: All of the above have momentary action  
\*\*125/250/480VAC  
All have SPDT

DT=Differential Travel  
HP=Horse Power  
HRo=Hinged Roller  
LRo=Leaf Rollers  
LL=Leaf Lever

OF=Operating Force  
OT=Over Travel  
Pb=Pushbuttons  
Pl=Plunger

PT=Pre-Travel  
QC=Quick Connect  
RP=Roller Plunger  
Sc=Screw  
RARO=Reverse Action Roller

Sd=Solder  
SP=Stub Plunger  
PP=Pin Plunger  
Ro=Roller

## KEYLOCK SWITCHES



Fig. 6



Fig. 7



Fig. 8



Fig. 9



Fig. 10



Fig. 11

Retail Part No.	Bulk Part No.	Fig. No.	Poles/Throws	Amps 125 VAC	Action	Index	Lock Type	Key Removal	Actuator	Terminal Type	Mounting Hole (In)	Hardware	Spec Drawing Page No.
35-196	35-196-BU	6	SPST	2.5*	On/Off	90°	5 disk tumbler	2 Pos.	Metal Key††	Sc	0.8	***	299-E
35-3190	35-3190-BU	7	SPDT	4	On/On	90°	4 tumbler w/detent	2 Pos.	Metal Key†	Sd Lug	0.760 x 0.640	N, 2Keys	299-G
35-3192	35-3192-BU	7	DPDT	4	On/On	90°	4 tumbler w/detent	2 Pos.	Metal Key†	Sd Lug	0.760	N, 2Keys	299-G
35-3193	35-3193-BU	8	SPDT	4	On/On	90°	6 tumbler w/tube lock	2 Pos.	Metal Barrel Key†	6" WL	0.760 x 0.640	N, 2Keys	299-H
35-3194	35-3194-BU	8	SPDT	4	On/On	90°	6 tumbler w/tube lock	1 Pos.	Metal Barrel Key†	6" WL	0.760 x 0.640	N, 2Keys	299-H
35-3195	35-3195-BU	9	SPDT	4	On(On)	45°	4 tumbler	1 Pos.	Metal Key†	6" WL	0.760 x 0.640	N, 2Keys	299-F
35-3197	35-3197-BU	10	SPDT	4	**	45°	4 tumbler	1 Pos.	Metal Key†	Sd Lug	0.760 x 0.640	N, 2Keys	299-G
35-3482		11	SPDT	****	Off/On/(On)	90°	5 tumbler	1 Pos.	Metal Key†	Sc	0.844	N, 2Keys	299-I

Notes: \*Rated @ 2.5Amps 120VAC (480V.A.)  
\*\*SP-3 pos. On1 - Off - On2  
\*\*\*Nut, 2 Screws, Ring, and 2 Keys  
35-196 is rated @ 2.5A @ 120VAC (480V.A.),  
2.1amps @46VDC (96V.A.), all of the rest are rated  
@ 2A @250VAC/4A @ 28VDC, except 35-3482  
\*\*\*\* 35-3482 is rated @ 15A 6-12VDC-2 Position SPDT

Keys(2) included in Hardware  
N=Nut  
Pos.=Positions  
Sc=Screw  
Sd=Solder  
WL=Wire Leads  
†=All keyed alike per figure

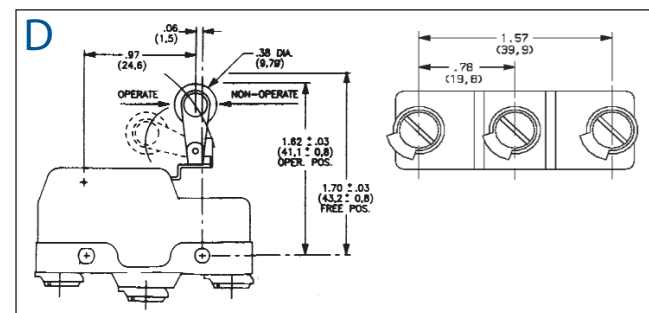
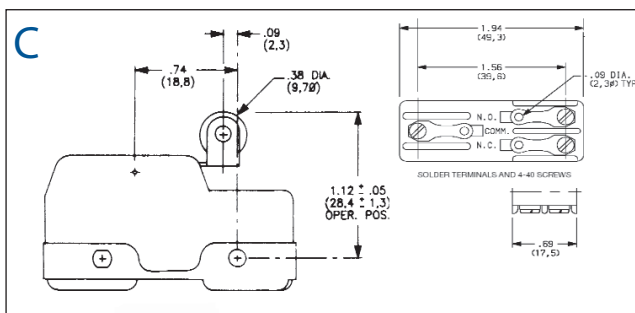
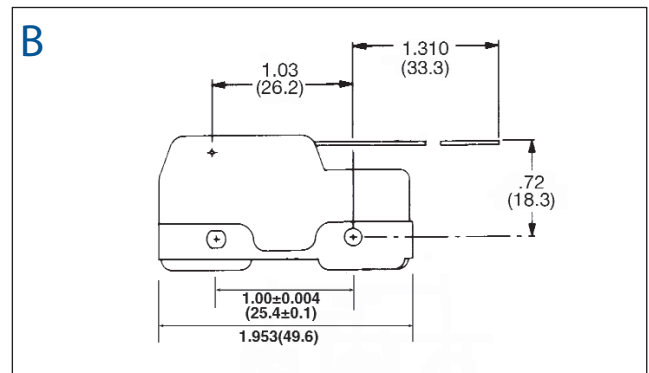
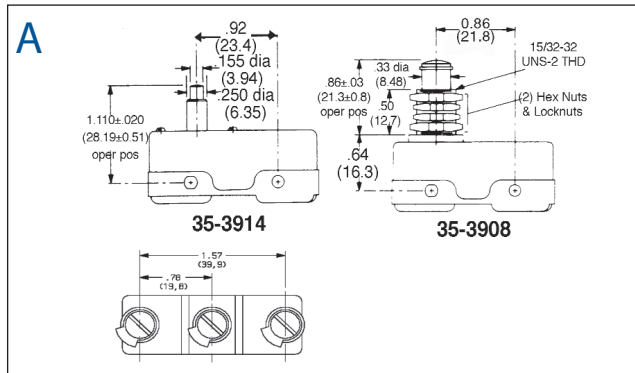
††=For 35-196 switches all keyed alike order:  
~~Key#530=35-530-BU~~  
~~Key#531=35-531-BU~~  
Key#540= 35-540-BU  
Key#541= 35-541-BU  
Key#550= 35-550-BU  
Key#553= 35-553-BU

#1110801 Keys for 35-3193 & 35-3194

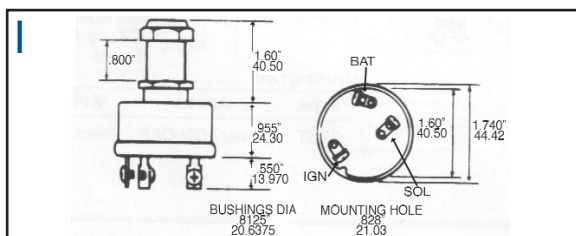
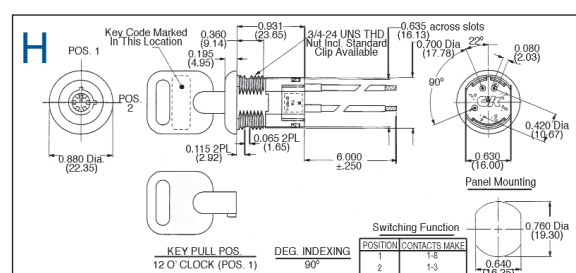
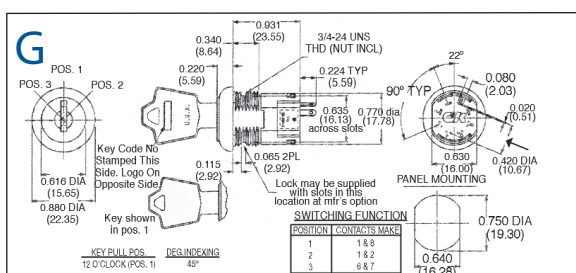
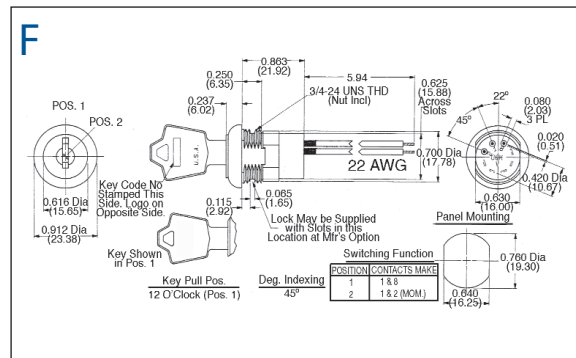
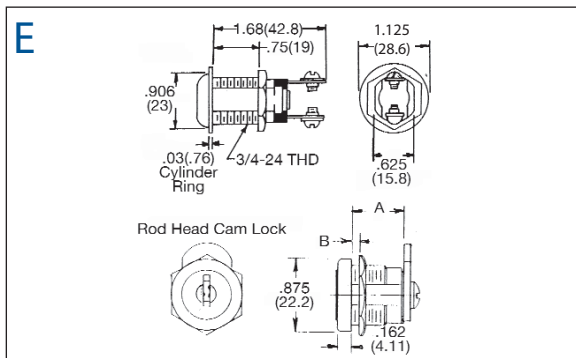
#115140126 Keys for 35-3190, 35-3192, 35-3195 & 35-3197

Note: All figures are for illustration purpose only, and the number/type of terminals may vary.

## GENERAL PURPOSE SNAP ACTION (Cont.)



## KEYLOCK SWITCHES (Cont.)



Switches