

54-900

Hardware, Indicator Plate

Features:

- Nickel-Plated Steel
- Fits 15/32" (.465 (11.81)) Bushing

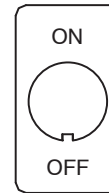


54-901

Hardware, Indicator Plate

Features:

- Nickel-Plated Steel
- Fits 15/32" (.465 (11.81)) Bushing

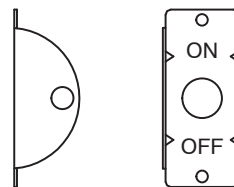


54-902

Hardware, Indicator Plate

Features:

- Nickel-Plated Steel
- Fits 15/32" (.465 (11.81)) Bushing



54-903

Hardware, Indicator Plate

Features:

- Grade 430 Stainless Steel
- Fits 15/32" (.465 (11.81)) Bushing

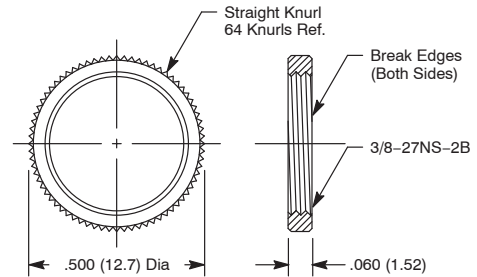


54-904

Hardware, Brass Facenut

Features:

- Bright Nickel Plating
- 3/8-27NS-2B Thread

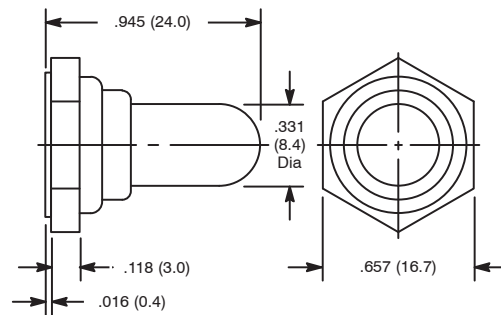


54-905

Hardware, Rubber Boot

Features:

- For Bat Handle Toggle Switch
- 15/32-32 UNS-2A Thread

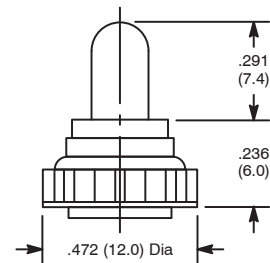


54-906

Hardware, Rubber Boot/Knob

Features:

- For Mini Toggle Switch
- 1/4-40 Thread
- Contains "O"-Ring Seal

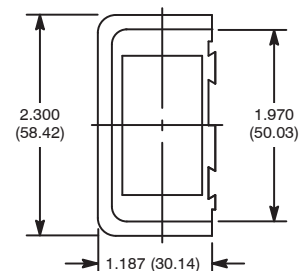


54-910

Hardware, Mounting Panel

Features:

- End Section
- For Automotive/Marine Types
- Black Color

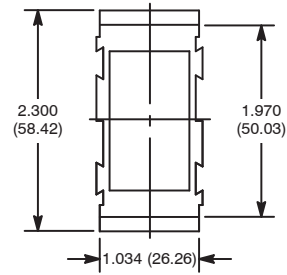


54-911

Hardware, Mounting Panel

Features:

- Middle Section
- For Automotive/Marine Types
- Black Color

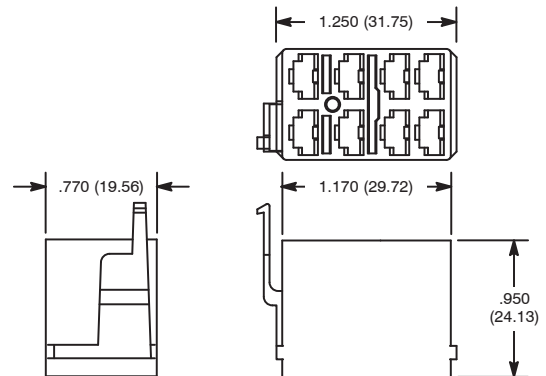


54-912

Hardware, Connector Housing

Features:

- For Automotive/Marine Types

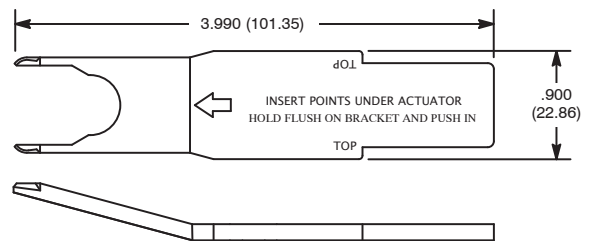


54-913

Hardware, Actuator Removal Tool

Features:

- For Automotive/Marine Types
- For Flush Bracket

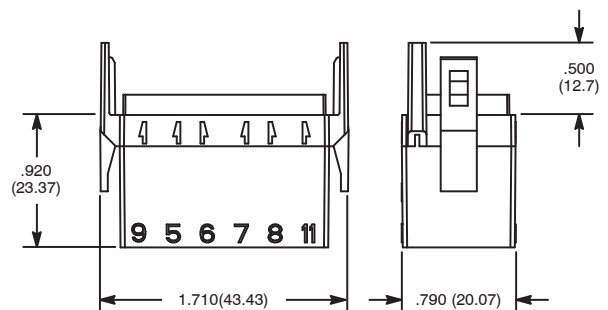


54-914

Hardware, Connector

Features:

- .250" Tab
- Black Color

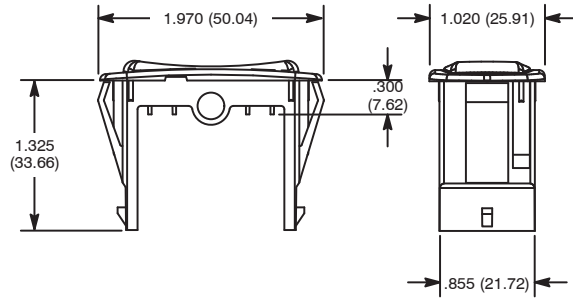


54-915

Hardware, Removable Hole Plug

Features:

- For Automotive/Marine Types
- With Non-Serrated Wings



54-920, 54-921, 54-922, 54-923

Hardware, Safety Cover

Features:

- For Toggle Switch w/12mm (15/32") Mounting Hole
- Accepts Standard 17.5mm (11/16") Switch Handles
- Available in 4 Colors:
 - 54-920 (Red)
 - 54-921 (Red Metallic)
 - 54-922 (Blue Metallic)
 - 54-923 (Silver Metallic)

