

IEC Appliance Inlet C14 or C18, sandwich Mounting, PCB- or Solder Terminal



Snap-in mounting

Screw-on mounting



**Description**

- Panel Mount:  
Snap-in or screw-on mounting on PCB, sandwich or rear-side
- Appliance Inlet, Pin temperature 70 °C, protection class I or II
- For PCB mounting

**Approvals**

- VDE Certificate Number: 40012767
- UL File Number: E96454
- CSA File Number: 38456
- CCC File Number: 2006010204183838

**Other versions on request**

- With solder terminals
- Types for enhanced glow wire test requirements acc. IEC 60695-2-12 and -13 for the use in unattended household equipment acc. IEC 60335-1
- Variant with notch for V-Lock mating Cordsets

**Weblinks**

[pdf-datasheet](#), [html-datasheet](#), [General Product Information](#), [Approvals](#), [CE declaration of conformity](#), [RoHS](#), [CHINA-RoHS](#), [REACH](#), [Mating Connectors](#), [e-Shop](#), [SCHURTER-Stock-Check](#), [Distributor-Stock-Check](#), [CAD-Drawings](#), [Accessories](#), [Detailed request for product](#)

Newly available variants corresponding to V-Lock mating cordset. The connector is equipped with a notch intended for use with the latching cordset. The cord latching system prevents against accidental removal of the cordset.

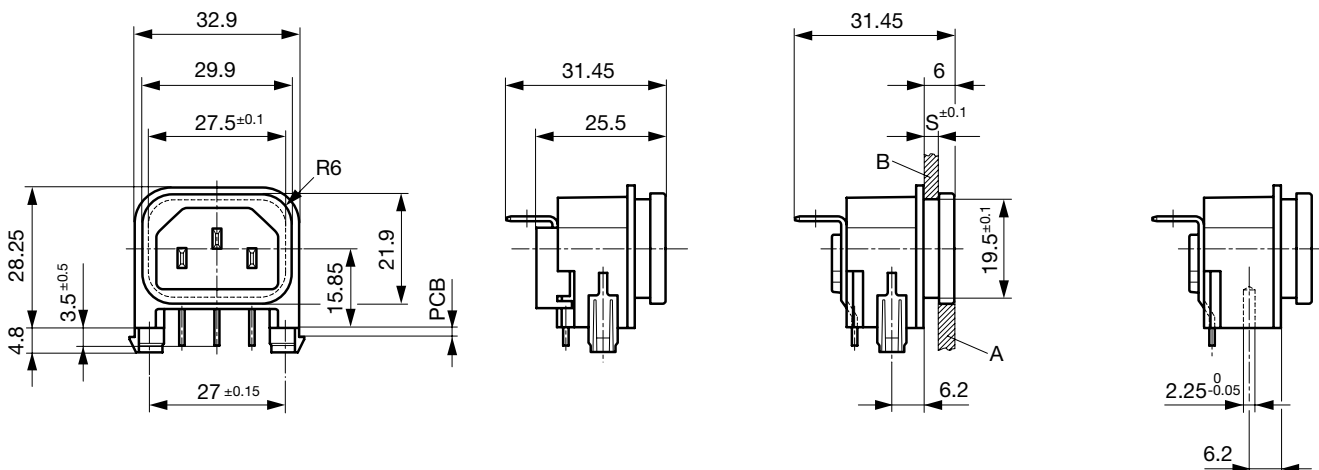
**Technical Data**

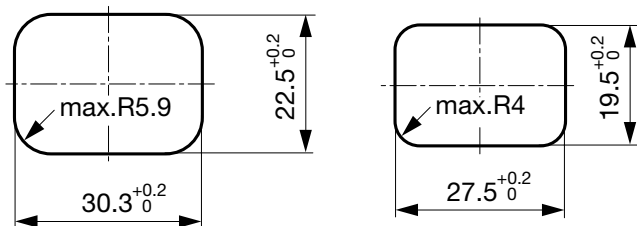
Ratings IEC	10A / 250VAC; 50Hz
Ratings UL/CSA	15A / 250VAC; 60Hz
Dielectric Strength	> 3kVAC between L-N > 3kVAC between L/N-PE (1 min/50Hz)
Allowable Operation Temp.	-25 °C to 70 °C
Degree of Protection	from front side IP 40 acc. to IEC 60529
Protection Class	Suitable for appliances with protection class I or II acc. to IEC 61140
Terminal	For PCB mounting ; Ground terminal: angled to pin axis Solder terminal on request
Panel Thickness s	Sandwich/rear-side: 1.5/2/2.5/3 mm
Material: Housing	Thermoplastic, black, UL 94V-0

Appliance Inlet	C14 / C18 acc. to IEC 60320, UL 498, CSA C22.2 no. 42 (for cold conditions) pin-temperature 70 °C, 10A, Protection Class I or II
-----------------	---

**Dimensions**

Snap-in mounting



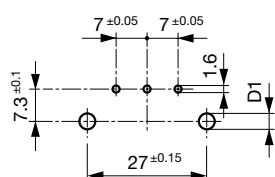


Rear panel mounting

Sandwich mounting

## Drilling diagrams

Drilling diagram



d1 = 6 ± 0.05 for Snap-in mounting  
 d1 = 3.6 ± 0.05 for screw-on mounting  
 with self-tapping screws  
 3 mm (EJOT-PT), 2 screws enclosed

## All Variants

Protection Class	PCB mounting	Panel Thickness s [mm]	Ground terminal 4.8 x 0.8 mm	Cover	Order Number
I	Snap-in	1.5	90° to connector axis		GSP2.9205.13
I	Snap-in	1.5	90° to connector axis		GSP2.9901.13
I	Snap-in	1	in connector axis		GSP2.9203.11
I	Snap-in	1.2	in connector axis		GSP2.9203.12
I	Snap-in	1.5	in connector axis		GSP2.9203.13
I	Snap-in	1.5	in connector axis		GSP2.9903.13
I	Snap-in	2	in connector axis		GSP2.9203.14
I	Snap-in	2.5	in connector axis		GSP2.9203.15
I	Snap-in	3	in connector axis		GSP2.9203.16
I	Snap-in	1.5	in connector axis	●	GSP2.9213.13
I	Snap-in	1.5	in connector axis	●	GSP2.9213.1315
I	Snap-in	1.5	in connector axis	●	GSP2.9213.1321
I	Snap-in	2	in connector axis	●	GSP2.9213.14
I	Snap-in	2.5	in connector axis	●	GSP2.9213.15
I	Snap-in	3	in connector axis	●	GSP2.9213.16
I	Screw	1	in connector axis		GSP2.9103.11
I	Screw	1.5	in connector axis		GSP2.9103.13
I	Screw	2	in connector axis		GSP2.9103.14
I	Screw	2.5	in connector axis		GSP2.9103.15
I	Screw	3	in connector axis		GSP2.9103.16
I	Screw	1.5	in connector axis	●	GSP2.9113.13
I	Screw	2	in connector axis	●	GSP2.9113.14
I	Screw	2.5	in connector axis	●	GSP2.9113.15
I	Screw	3	in connector axis	●	GSP2.9113.16
II	Snap-in	1.5	-		GSP2.9200.13
II	Snap-in	2.5	-		GSP2.9200.15
II	Snap-in	1.5	-	●	GSP2.9210.13
II	Snap-in	2	-	●	GSP2.9210.14

Protection Class	PCB mounting	Panel Thickness s [mm]	Ground terminal 4.8 x 0.8 mm	Cover	Order Number
II	Snap-in	2.5	-	●	GSP2.9210.15
II	Snap-in	3	-	●	GSP2.9210.16
II	Screw	1.5	-		GSP2.9100.13
II	Screw	3	-		GSP2.9100.16
II	Screw	2	-	●	GSP2.9110.14
II	Screw	2.5	-	●	GSP2.9110.15

Most Popular.

Availability for all products can be searched real-time: <http://www.schurter.com/en/Stock-Check/Stock-Check-SCHURTER>

Articles for enhanced glow wire test requirements acc. IEC 60695-2-12 and -13 can be ordered with ending ".15" (xxxx.xxxx.xx15). They are suitable for the use in unattended household equipment acc. IEC 60335-1.

Suffix "21" corresponds to the version with V-Lock mating cordset. The connector is equipped with a notch intended for use with the latching cordset. The cord latching system prevents against accidental removal of the cordset.

Additional version on request, e.g.: Ground terminal straight or quick-connect terminal 6,3 x 0,8 mm

**Packaging unit** 50 Pcs

## Mating Outlets/Connectors

### Category / Description

#### Connector Overview complete



IEC Connector C13, Rewireable, Straight	4782
IEC Connector C13, Rewireable, Straight	4022
IEC Connector C13, Rewireable, Angled	4785
IEC Connector C13, Rewireable, Angled	4300-06
IEC Connector C13, Rewireable, Angled	4012
<a href="#">Connector further types to GSP2</a>	...

#### Interconnection Cord Overview complete



Interconnection Cord C13, 10 A	6007.0212
Interconnection Cord C13, 10 A	6007.0214
<a href="#">Interconnection Cord further types to GSP2</a>	

#### Power Cord Overview complete



Power Supply Cord with IEC plug C14, stripped end	6007.0204
<a href="#">Power Cord further types to GSP2</a>	

#### Power Supply Cord Overview complete



EU Power Supply Cord with IEC Connector C13, straight	6004.0215
EU Power Supply Cord with IEC Connector C13, straight	6003.0215
Power Supply Cord with IEC Connector C13 angled, stripped end	6000.0224
Power Supply Cord with IEC Connector C13 straight, stripped end	6000.0214
UK Power Supply Cord with IEC Connector C13, straight	6044.0215
<a href="#">Power Supply Cord further types to GSP2</a>	...

Category / Description

[Power Supply or Interconnection Cord Overview complete](#)



UK Power Supply Cord with stripped ends	6044.0204
Diverse Power Supply and Interconnection Cords 10 A	6045.0114
Diverse Power Supply and Interconnection Cords 10 A	6003.0205
Diverse Power Supply and Interconnection Cords 10 A	6026.0205
Diverse Power Supply and Interconnection Cords 10 A	6049.0007

[Power Supply or Interconnection Cord further types to GSP2](#)

Mating Outlets/Connectors shuttered



[Power Cord Overview complete](#)

Overview Power Supply Cord with IEC Connector C13, V-Lock, straight	VAC13KS
---	---------

[Power Cord further types to GSP2](#)