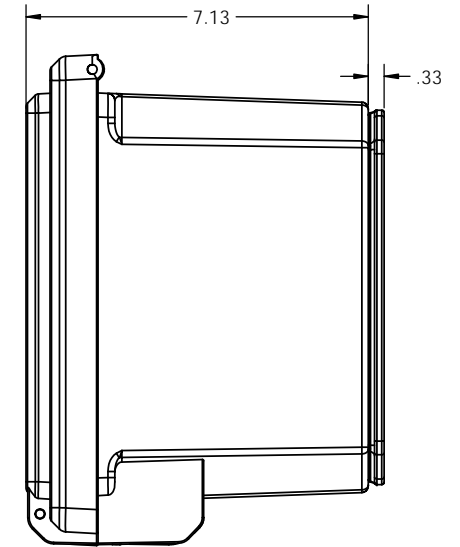
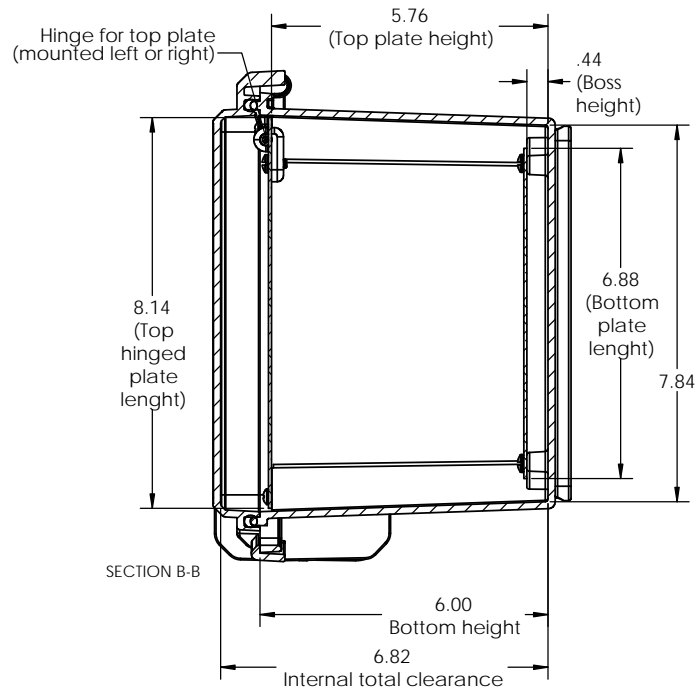
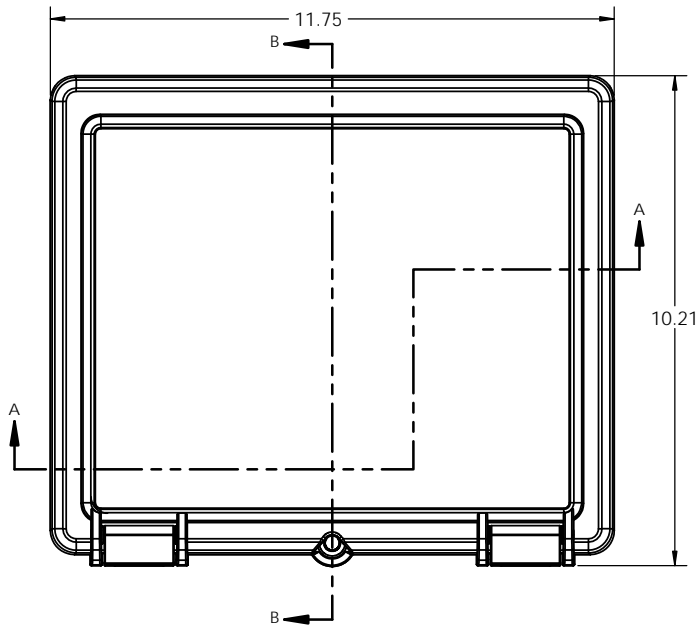


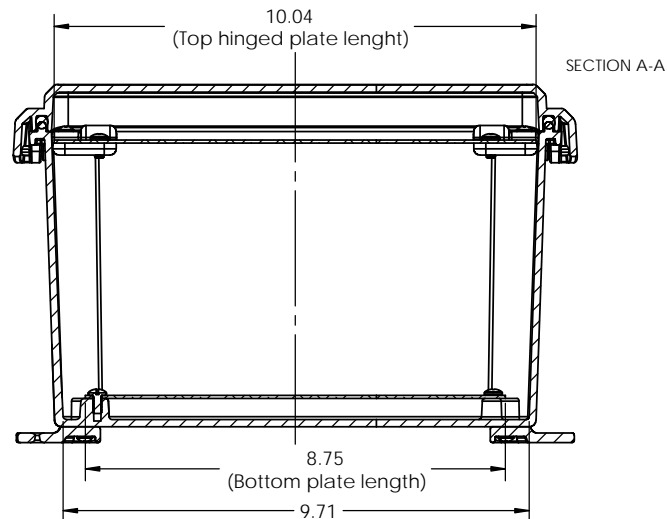
# SERPAC I352HL

Electronic Enclosures

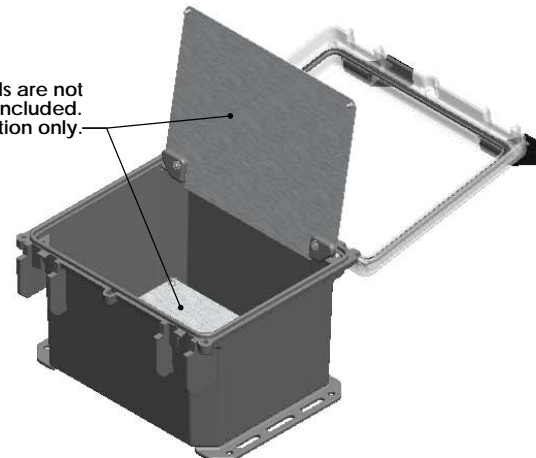


325HL with bottom rotating feet (4 included)

- Material: UV stabilized Polycarbonate
- Flammability UL 94 V-2
- Watertight enclosure meets or exceeds Nema 4 and or IP67.



Aluminum panels are not included.  
For illustration only.



Open 325HL with bottom flanges (2 included) and left hinged top plate.

PARTS INCLUDED		
P/N	Qty.	Description
352 HLT	1	352 HL Top
350 HLB	1	350 HL Bottom
8350	1	350 Perimeter O-ring
1304	2	Hinge pin
7011M	2	I-Series Safety Latch
7036	2	Latch pin
1305	2	350 Flange
1306	4	350 Feet
1307	2	350 Panel hinge pin
1308	1	350 Panel hinge A
1309	1	350 Panel hinge B
6028	4	SS #10 X 5/8" Pan H/L

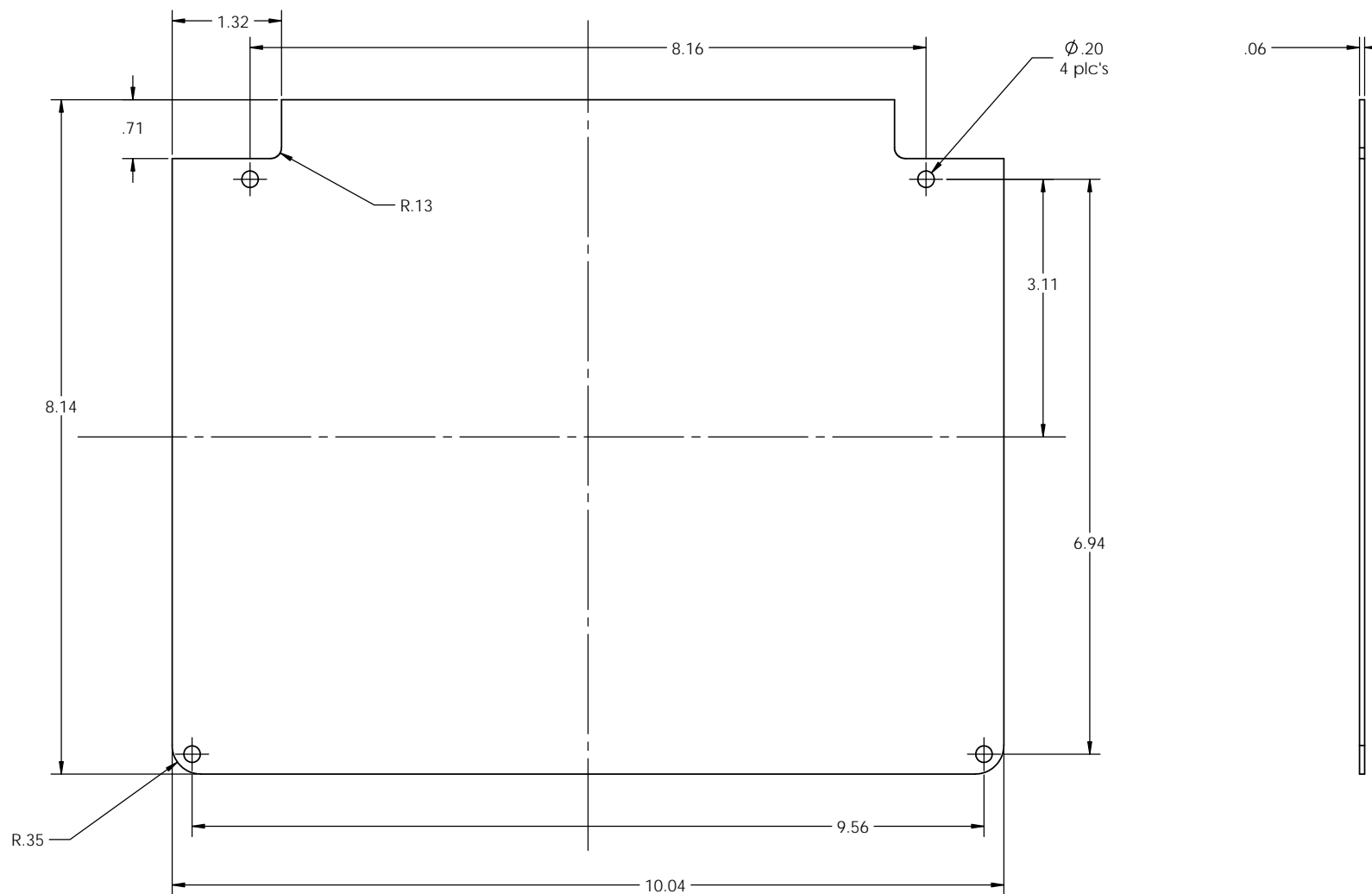
ALL DIMENSIONS ARE ± .010"

8/13/14

2009 Wright Ave. La Verne, CA 91750  
Ph. (626) 331-0517 Fx. (626) 331-8584 serpac.com

# 7200TH Panel Kit

## Hinged top panel for 352HL and 352HS



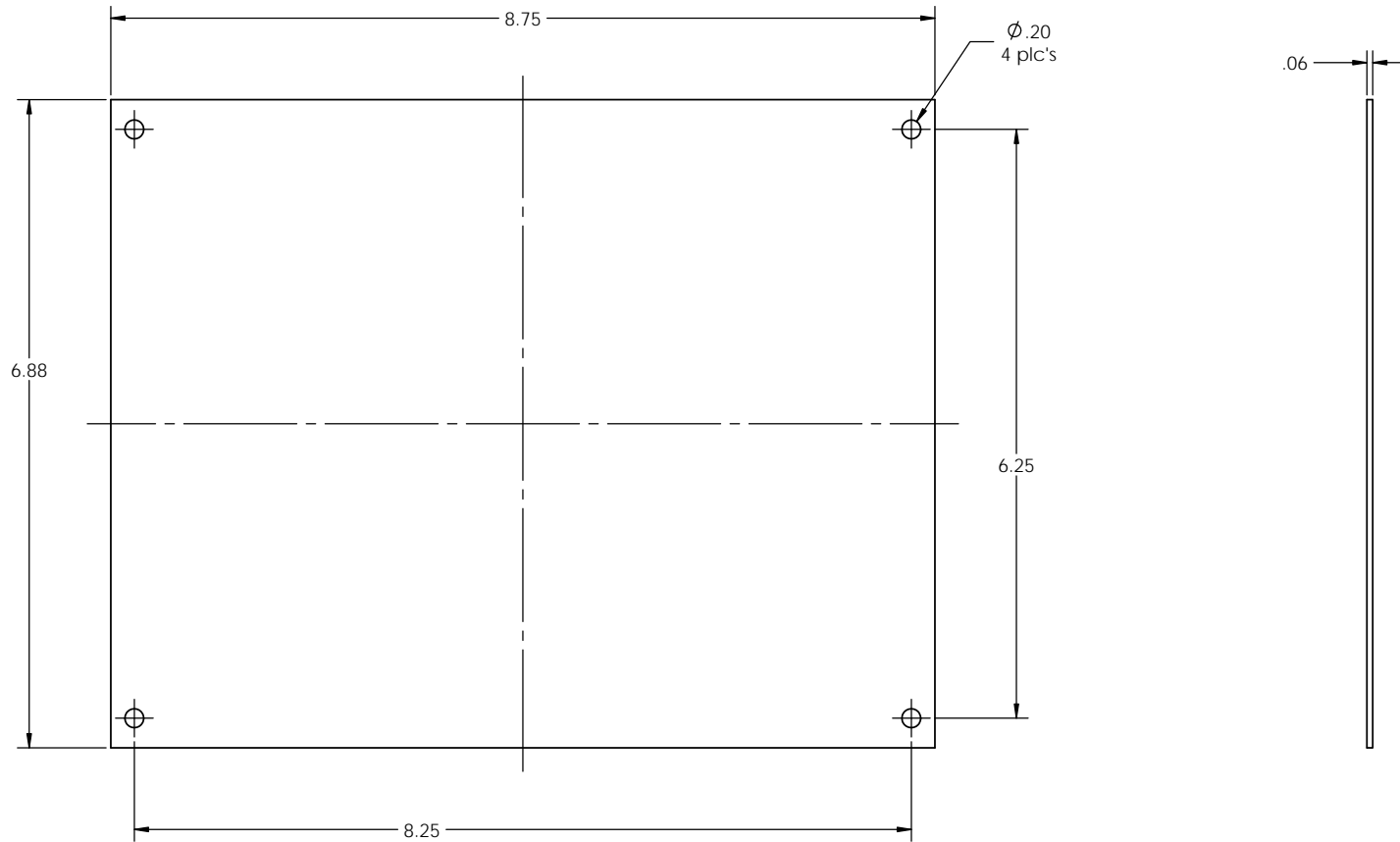
PARTS INCLUDED		
P/N	Qty.	Description
72020	1	Hinged top aluminum panel
6029	2	SS #10 X 3/8" Pan HL Screw
6030	2	SS #10 X 3/8" Pan Combo H/L Screw
6105	2	SS #10-32 X1/8" Nut

ALL DIMENSIONS ARE ± .010"

8/13/14

# 7200B Panel Kit

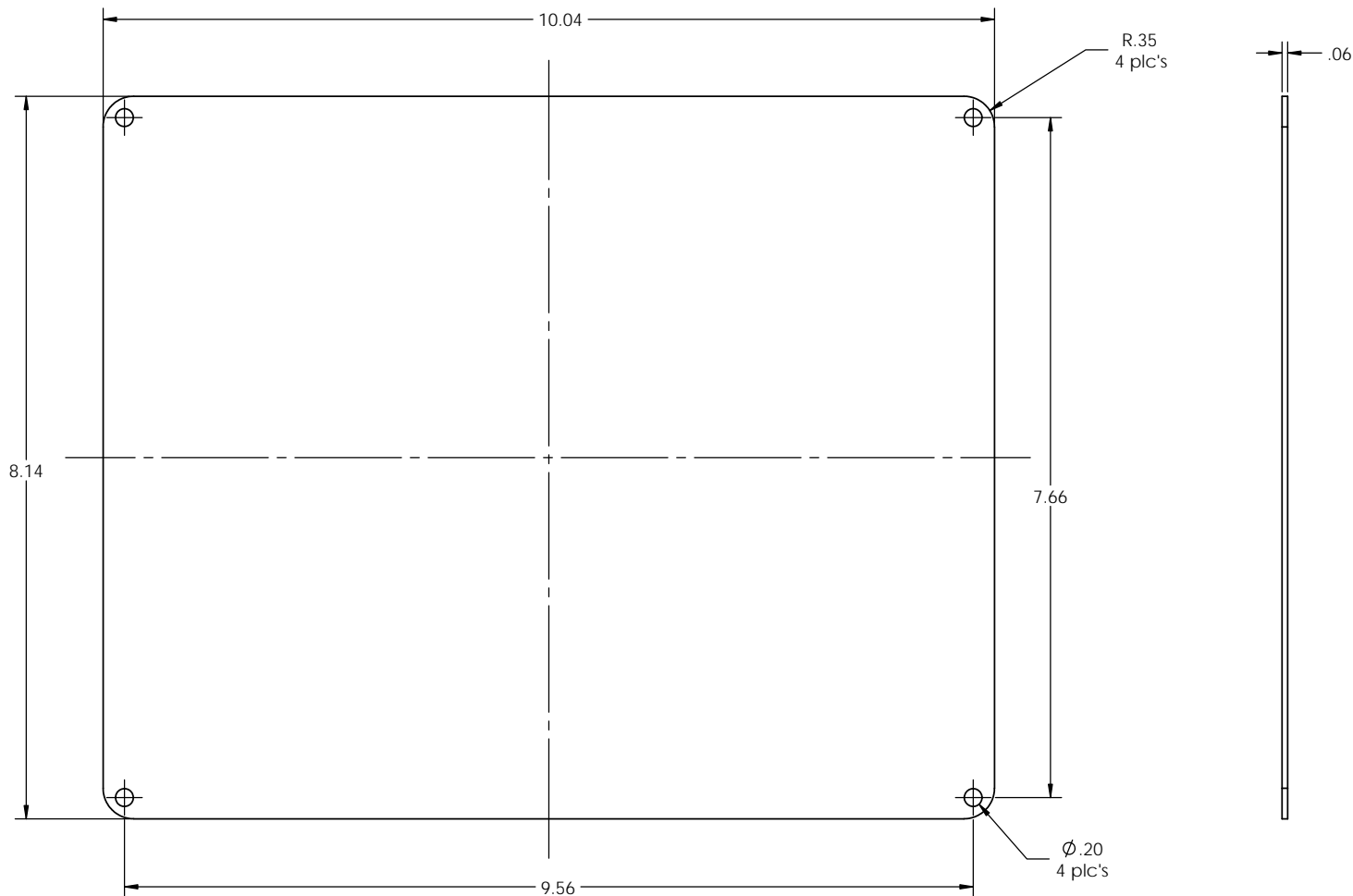
## Bottom panel for 352HL, 352HS and 352S



PARTS INCLUDED		
P/N	Qty.	Description
72000	1	Bottom aluminum panel
6029	4	SS #10 X 3/8" Pan HL Screw

# 7200T Panel kit

Top panel for 352HL, 352HS and 352S



PARTS INCLUDED		
P/N	Qty.	Description
72040	1	Hinged top aluminum panel
6029	4	SS #10 X 3/8" Pan HL Screw

ALL DIMENSIONS ARE  $\pm .010"$

8/13/14