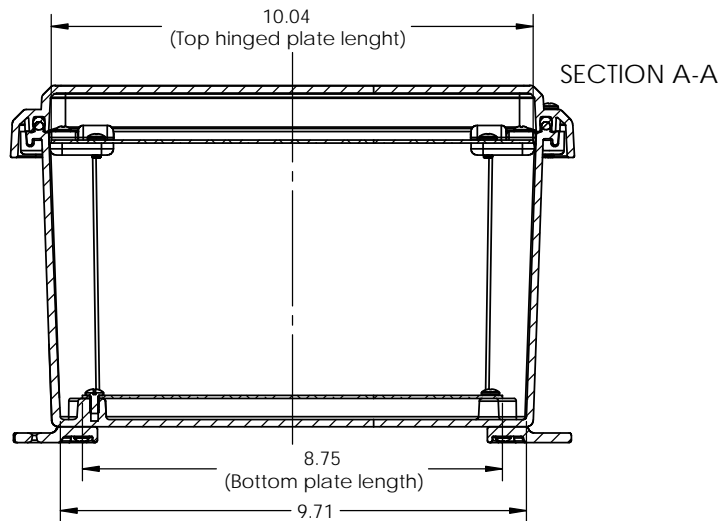
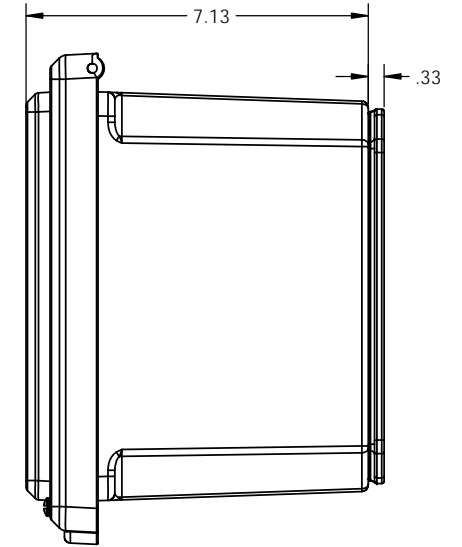
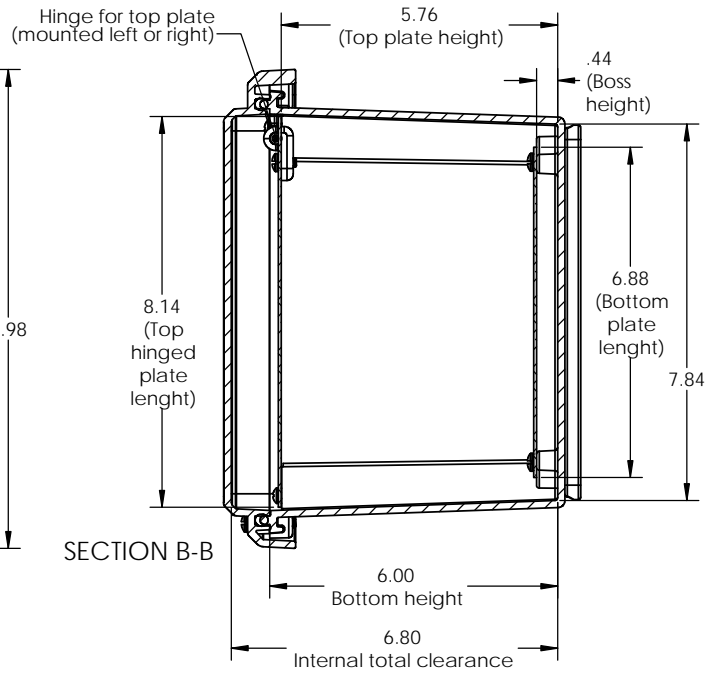
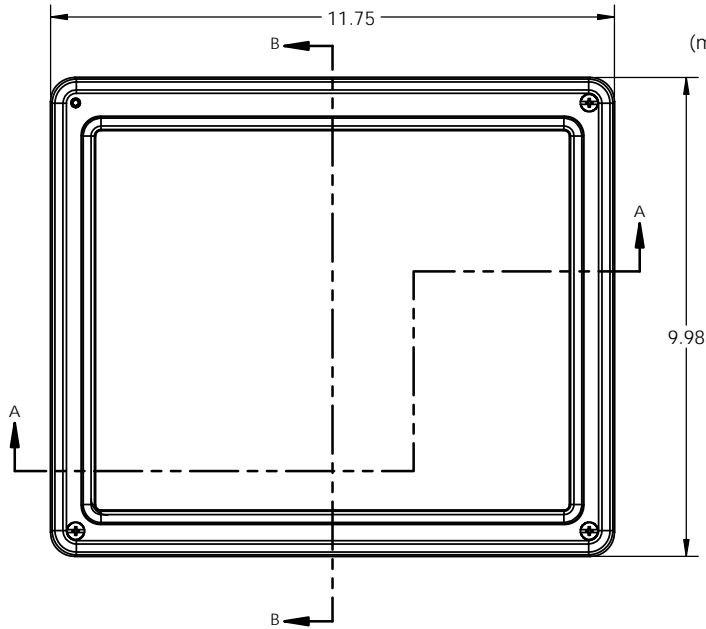
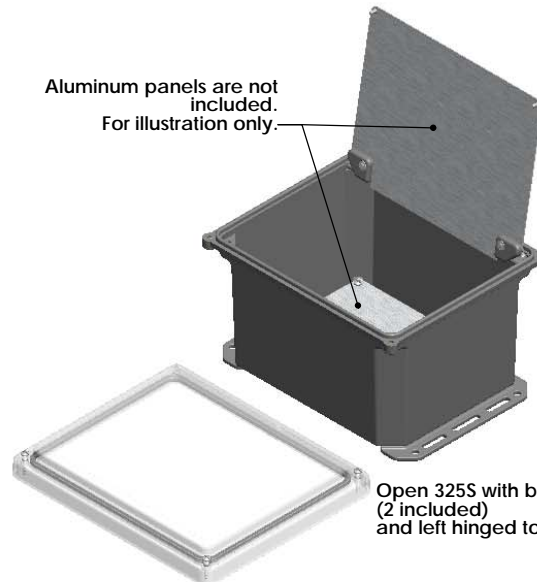


SERPAC I352S

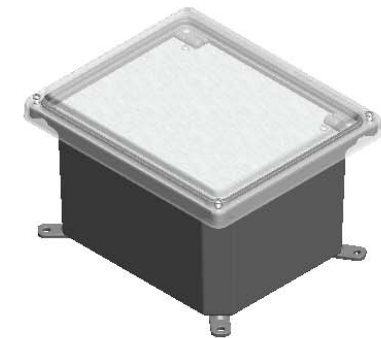
Electronic Enclosures



Aluminum panels are not included.
For illustration only.



Open 325S with bottom flanges (2 included) and left hinged top plate.



325S with bottom rotating feet (4 included)

-Material: UV stabilized Polycarbonate
Flammability UL 94 V-2
-Watertight enclosure meets or exceeds Nema 4 and or IP67.

PARTS INCLUDED

P/N	Qty.	Description
352S	1	352 S Top
350SB	1	350 S Bottom
8350	1	350 Perimeter O-ring
1305	2	350 Flange
1306	4	350 Feet
1307	2	350 Panel hinge pin
1308	1	350 Panel hinge A
1309	1	350 Panel hinge B
6028	4	SS #10 X 5/8" Pan H/L

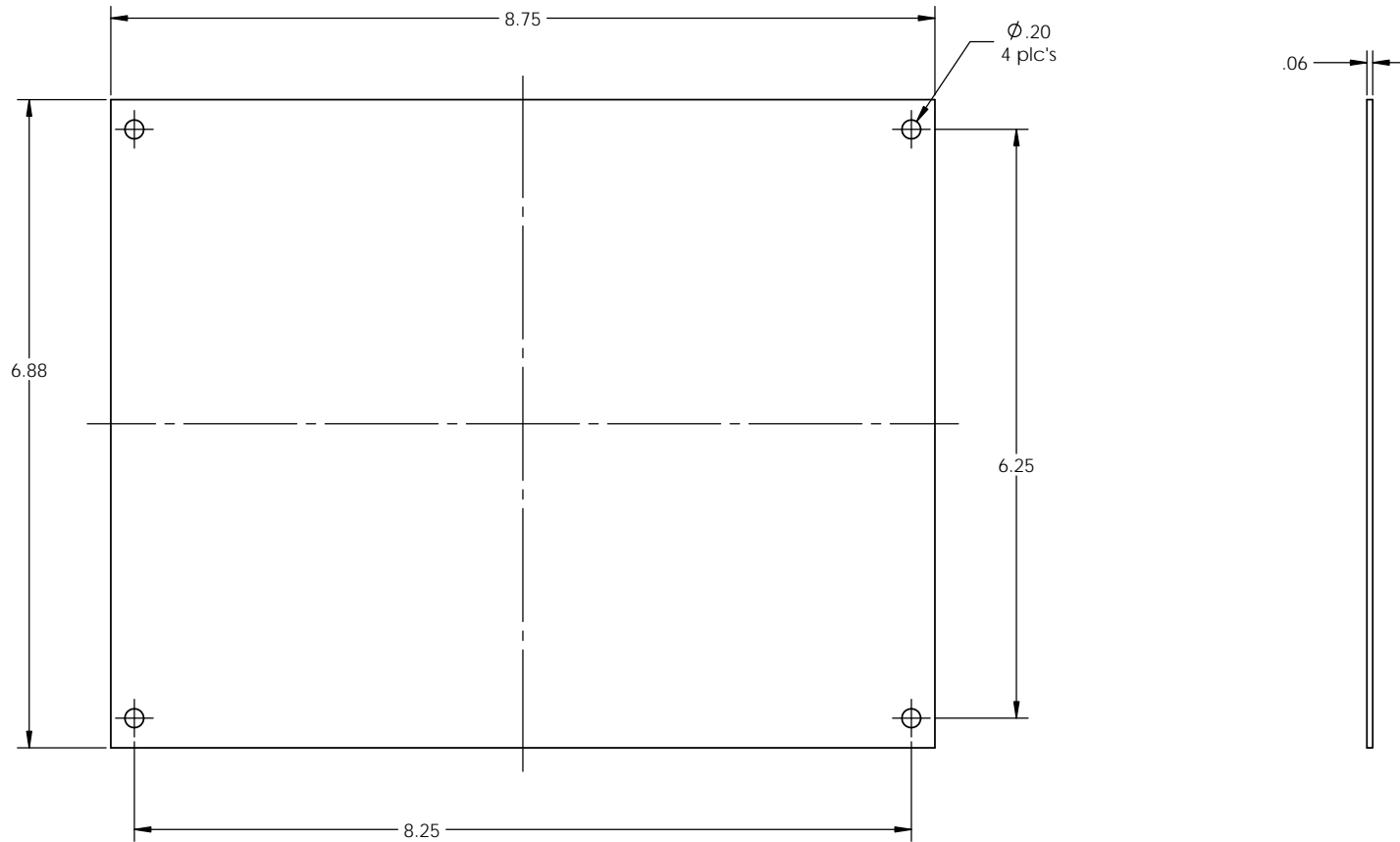
ALL DIMENSIONS ARE ± .010"

8/13/14

2009 Wright Ave. La Verne, CA 91750
Ph. (626) 331-0517 Fx. (626) 331-8584 serpac.com

7200B Panel Kit

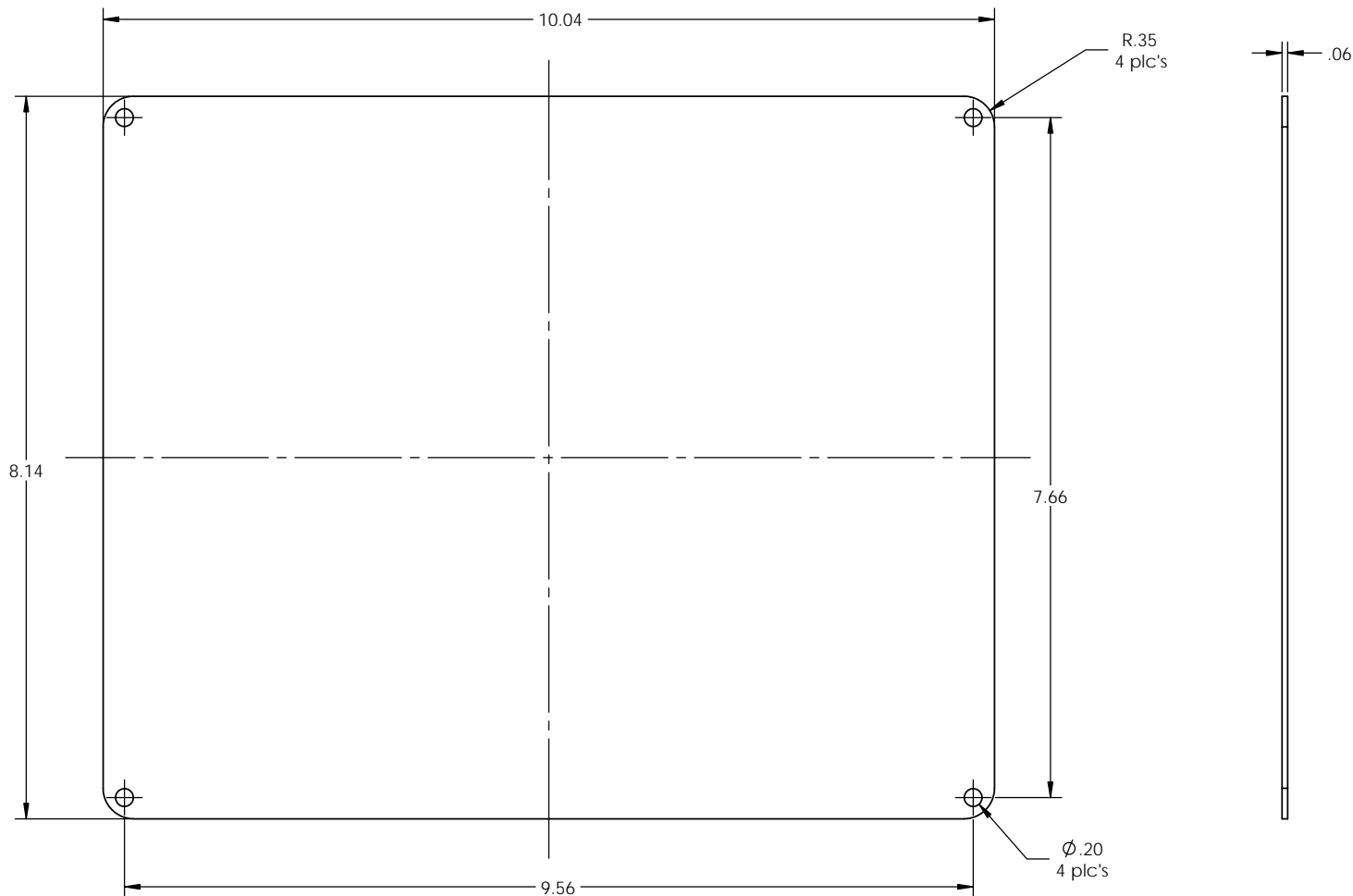
Bottom panel for 352HL, 352HS and 352S



PARTS INCLUDED		
P/N	Qty.	Description
72000	1	Bottom aluminum panel
6029	4	SS #10 X 3/8" Pan HL Screw

7200T Panel kit

Top panel for 352HL, 352HS and 352S



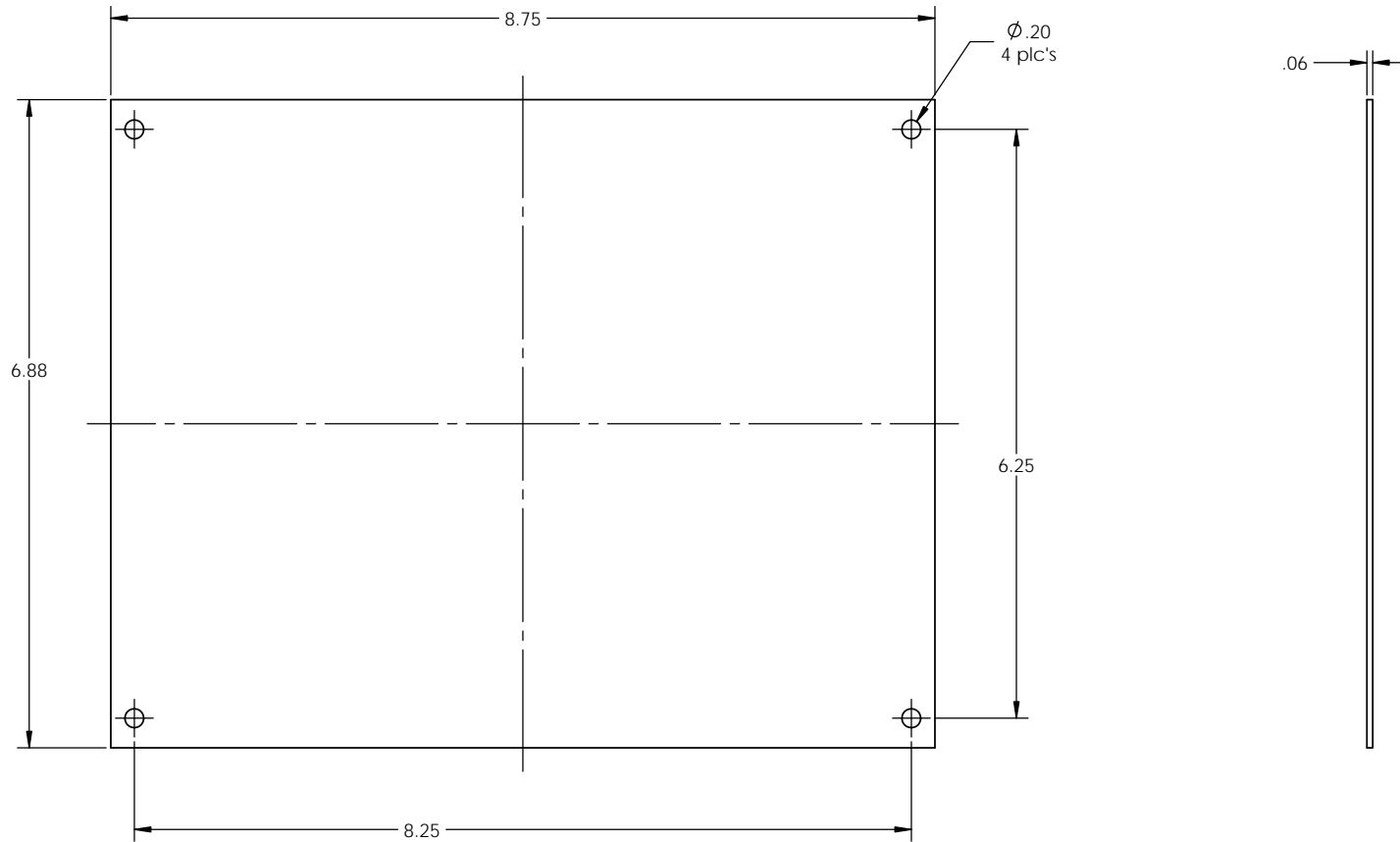
PARTS INCLUDED		
P/N	Qty.	Description
72040	1	Hinged top aluminum panel
6029	4	SS #10 X 3/8" Pan HL Screw

ALL DIMENSIONS ARE $\pm .010"$ 8/13/14

2009 Wright Ave. La Verne, CA 91750
Ph. (626) 331-0517 Fx. (626) 331-8584 serpac.com

7200B Panel Kit

Bottom panel for 352HL, 352HS and 352S



PARTS INCLUDED		
P/N	Qty.	Description
72000	1	Bottom aluminum panel
6029	4	SS #10 X 3/8" Pan HL Screw