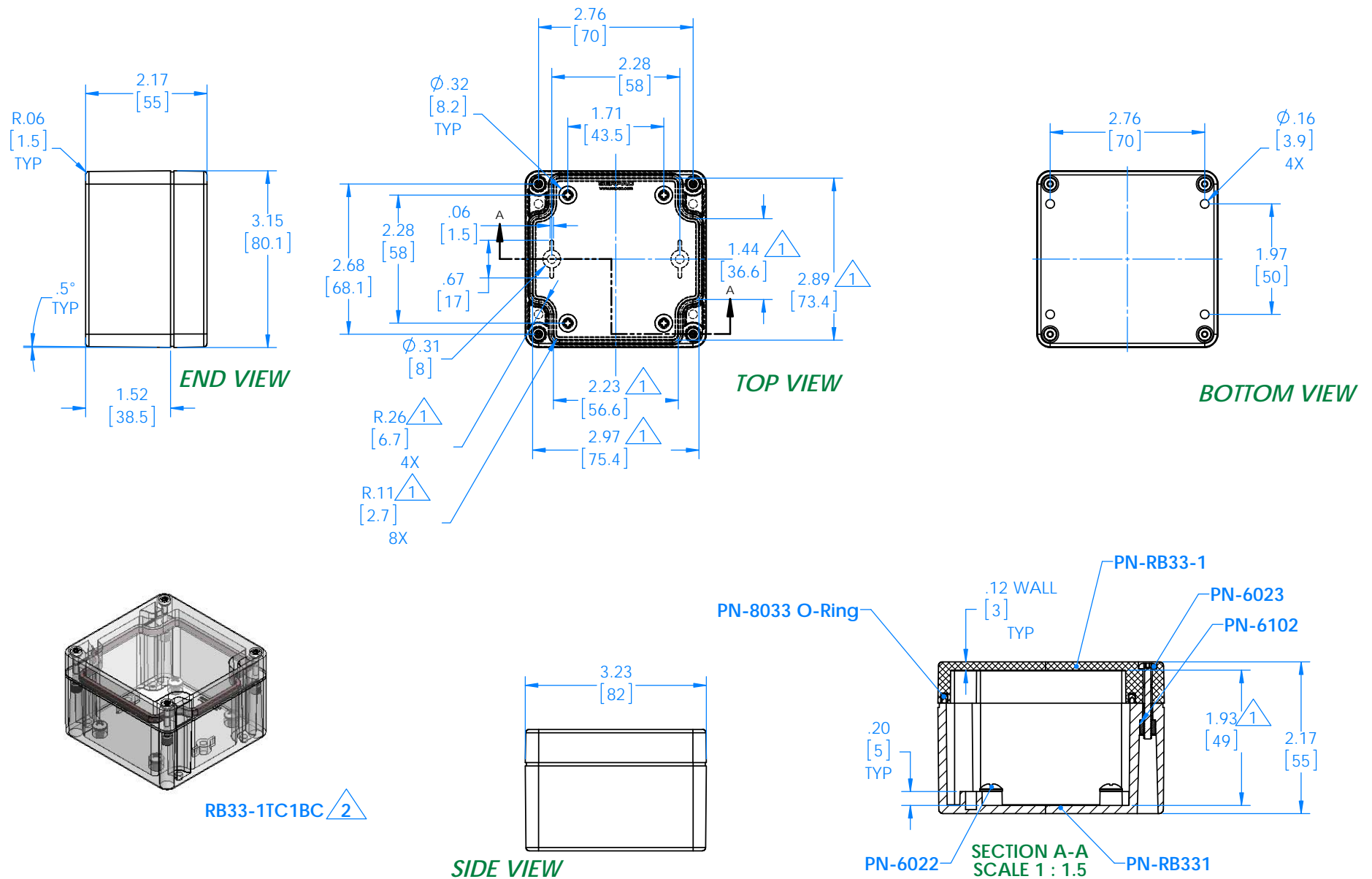


SERPAC RB33

Electronic Enclosures



1 = INTERIOR DIMENSIONS (@ BOTTOM)
 2 = STANDARD COLORS ARE: BLACK, CLEAR AND GRAY
 TOPS (T) AND BOTTOMS (B). ALL POSSIBLE COMBINATIONS

PN	Description
RB33-1	(1) RB33 Top1
RB331	(1) RB33 Bottom1
8033	(1) RB33 O-Ring
6023	(4) #4-40 Captive Torx Hd Screw
6022	(4) #10 High/Low Pan Hd x 1/4"
6102	(4) #4-40 Threaded Insert

-Material: UV stabilized Polycarbonate
 Flammability UL 94 V-0
 -Watertight enclosure meets or
 exceed Nema 4 and/or IP67.

Dim's in Inch
 [mm]

SERPAC RB33 bottom board

Electronic Enclosures

