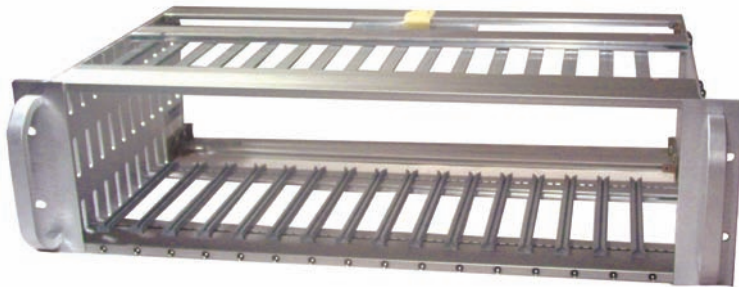


EIA -Based VectorPak™ Subrack Systems



Universal Card-Mount System

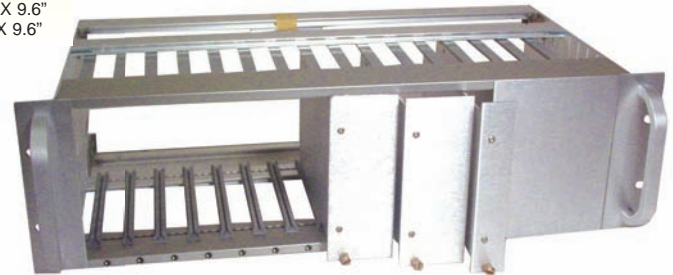
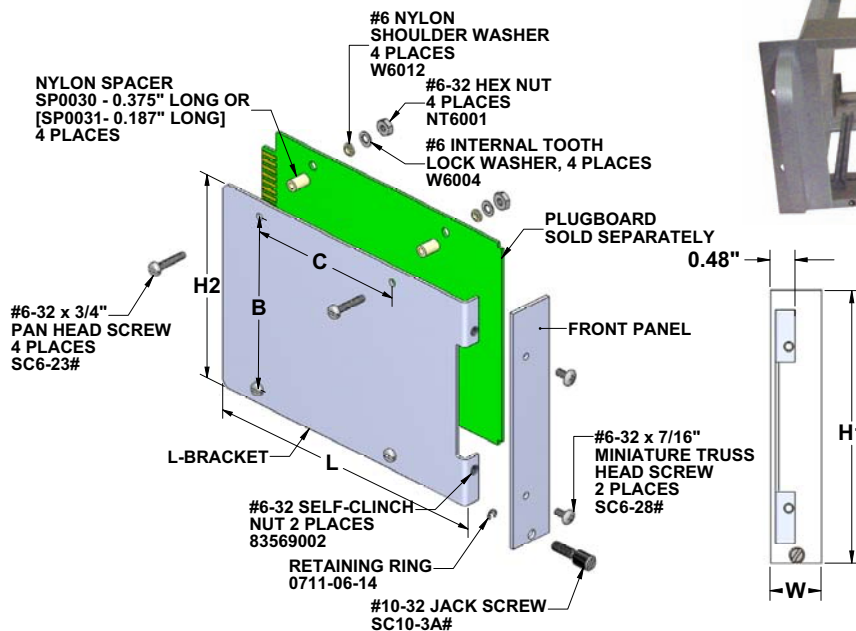


CCM13S/90 - shown fully assembled includes dress panels and handles

- Racks sold fully assembled only
- 3U, 4U and 6U Versions
- All racks include 16 slots on 1.0" centers
- Modules sold separately unassembled, easy to customize
- Modules of different width all in one rack, 1.0" to 4.0"
- Rear "T"-Struts included for mounting of connectors or backplanes (Vector P/N HD34)
- Aluminum plate slides into card guide
- Rack handles and dress panels included

Assembled Card Mount Subracks

Part No.	Rack outer Dimensions	# of Card Guides	Versions	Card Size
CCM13S/90	3U (5.25") X 19"W X 9"D	16 pair on 1" centers	Assembled	4.5" X 6.5"
CCM14S/90	3U (5.25") X 19"W X 12"D	16 pair on 1" centers	Assembled	4.5" X 9.6"
CCM15S/90	4U (7.00") X 19"W X 12"D	16 pair on 1" centers	Assembled	6.25" X 9.6"
CCM18S/90	6U (10.5") X 19"W X 15.75"D	16 pair on 1" centers	Assembled	9.0" X 9.6"



CCM13S/90 - shown with CM45A65-1 and CM45A65-2



Card Mount Module Plugbord™ sold separately

Card Mount Module Exploded View

Card Mount Modules

Part No.	Height		Width	Length			Module Rack
	H1	H2		W	L	B	
CM45A65-1	5.25"	4.5"	1.0"	6.57"	3.8"	3.6"	CCM13S
CM45A65-2	5.25"	4.5"	2.0"	6.57"	3.8"	3.6"	CCM13S
CM45A65-4	5.25"	4.5"	4.0"	6.57"	3.8"	3.6"	CCM13S
CM45B95-1	5.25"	4.5"	1.0"	9.57"	3.8"	6.6"	CCM14S
CM45B95-2	5.25"	4.5"	2.0"	9.57"	3.8"	6.6"	CCM14S
CM45B95-4	5.25"	4.5"	4.0"	9.57"	3.8"	6.6"	CCM14S
CM62F95-1	7.0"	6.25"	1.0"	9.57"	5.55"	6.6"	CCM15S
CM62F95-2	7.0"	6.25"	2.0"	9.57"	5.55"	6.6"	CCM15S
CM62F95-4	7.0"	6.25"	4.0"	9.57"	5.55"	6.6"	CCM15S
CM90F95-1	10.5"	9.75"	1.0"	9.57"	9.05"	6.6"	CCM18S
CM90F95-2	10.5"	9.75"	2.0"	9.57"	9.05"	6.6"	CCM18S
CM90F95-4	10.5"	9.75"	4.0"	9.57"	9.05"	6.6"	CCM18S

EIA Subracks

