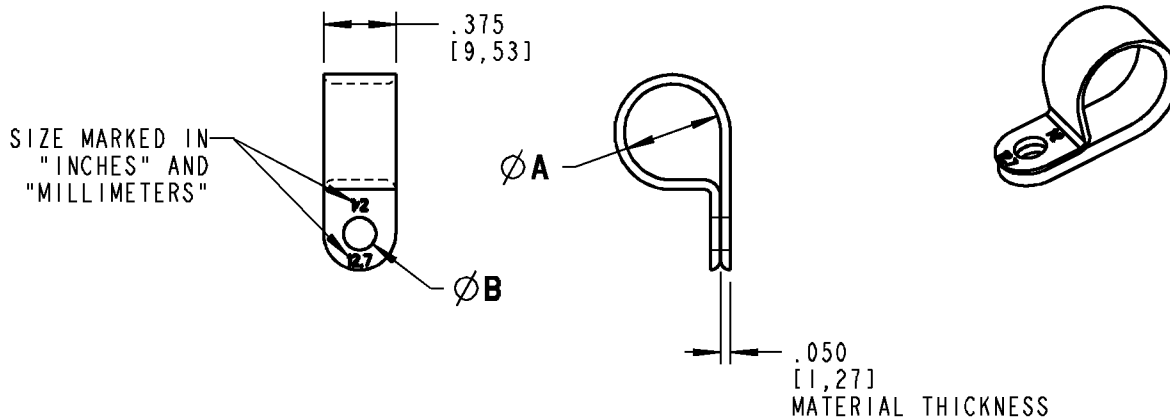


# Ty-Rap



**NOTES:**

1. MATERIAL: NYON 6/6
2. FLAMMABILITY RATING: UL94V-2
3. OPERATING TEMPERATURE RANGE: -40°F [-40°C] TO 185°F [85°]
4. PLAIN EDGE CABLE CLAMPS ARE DESIGNED TO PERFORM TO NAS-1397P
5. FULLY RADIUSED INSIDE EDGES
6. NON-CONDUCTIVE; NON-CORROSIVE, RESISTANT TO FUELS, LUBRICANTS AND MOST CHEMICALS

CATALOG NUMBER	SIZE	ØA	ØB	SCREW SIZE
N4NY-002-***	1/8" [3,2]	.125 [3,2]	.170 [4,3]	#8
N4NY-003-***	3/16" [4,7]	.187 [4,7]		
N4NY-004-***	1/4" [6,3]	.250 [6,3]		
N4NY-005-***	5/16" [7,9]	.312 [7,9]		
N4NY-006-***	3/8" [9,5]	.375 [9,5]		
N4NY-007-***	7/16" [11,1]	.437 [11,1]		
N4NY-008-***	1/2" [12,7]	.500 [12,7]	.203 [5,2]	#10
N4NY-002B-***	1/8" [3,2]	.125 [3,2]		
N4NY-003B-***	3/16" [4,7]	.187 [4,7]		
N4NY-004B-***	1/4" [6,3]	.250 [6,3]		
N4NY-005B-***	5/16" [7,9]	.312 [7,9]		
N4NY-006B-***	3/8" [9,5]	.375 [9,5]		
N4NY-007B-***	7/16" [11,1]	.437 [11,1]		
N4NY-008B-***	1/2" [12,7]	.500 [12,7]		

\* = COLOR CODE- 0 = BLACK  
9 = NATURAL

\*\* = PACKAGE QUANTITY- C = 100  
M = 1,000

**GENERAL NOTES**

1. ALL DIMENSIONS ARE FOR REFERENCE ONLY.
2. DIMENSIONS IN BRACKETS [ ] ARE IN METRIC UNITS.

**REVISIONS**

\*\* SEE ERN (\*\*\*\*) FOR APPROVAL SIGNATURES & RELEASE DATE.  
PROJECT NO: \*\*\*\*

**Thomas & Betts**  
www.tnb.com

DESCRIPTION: **PLAIN EDGE CABLE CLAMP (N4NY SERIES)**

ORIGINAL PROJECT NO / ( ERN NO ) <b>FM401229 / 2009113</b>	SHEET NO: <b>1 OF 1</b>	REV. NO: <b>-</b>	DRAWING NO: <b>WSD-000389</b>
---	----------------------------	----------------------	----------------------------------