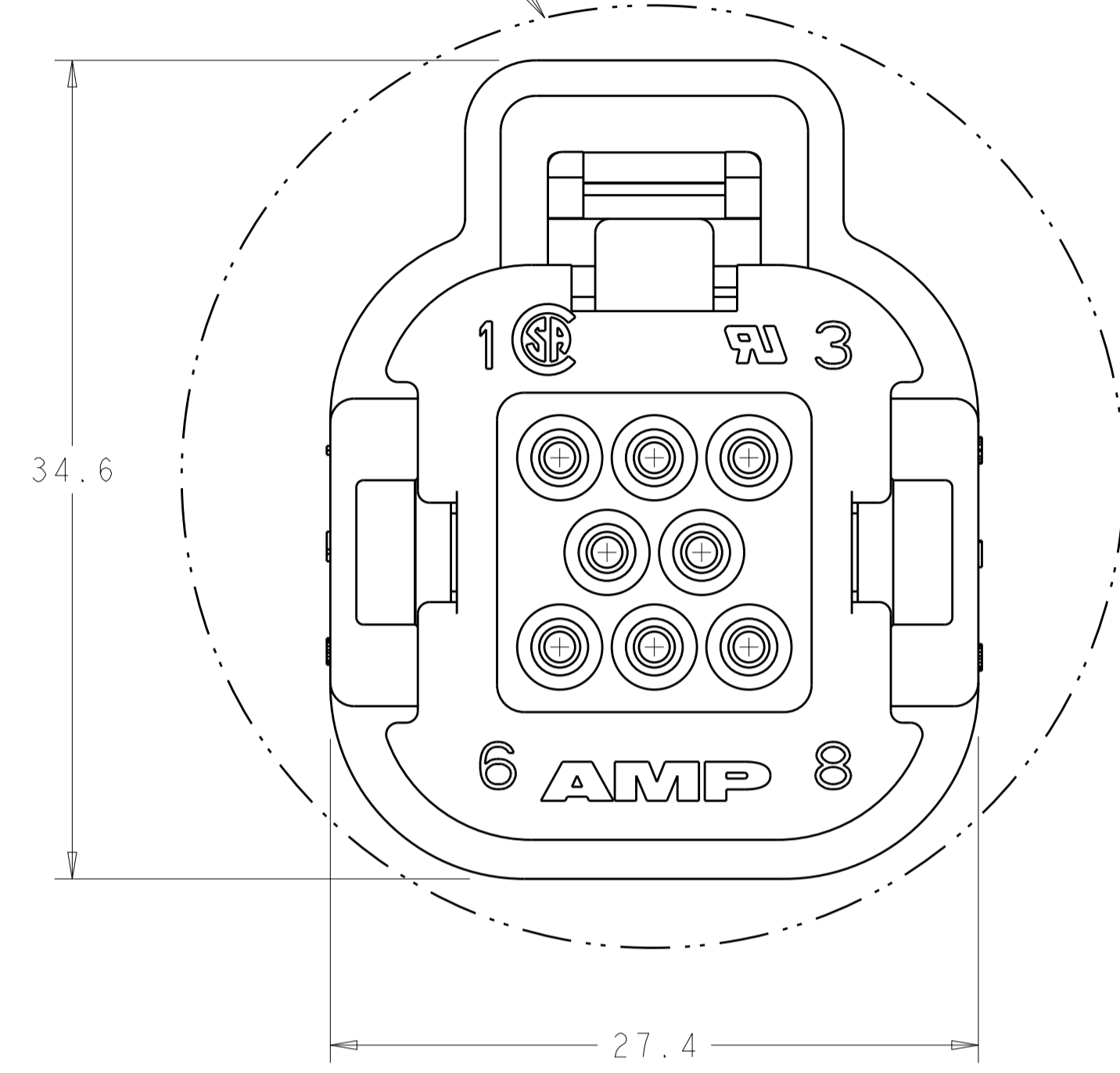
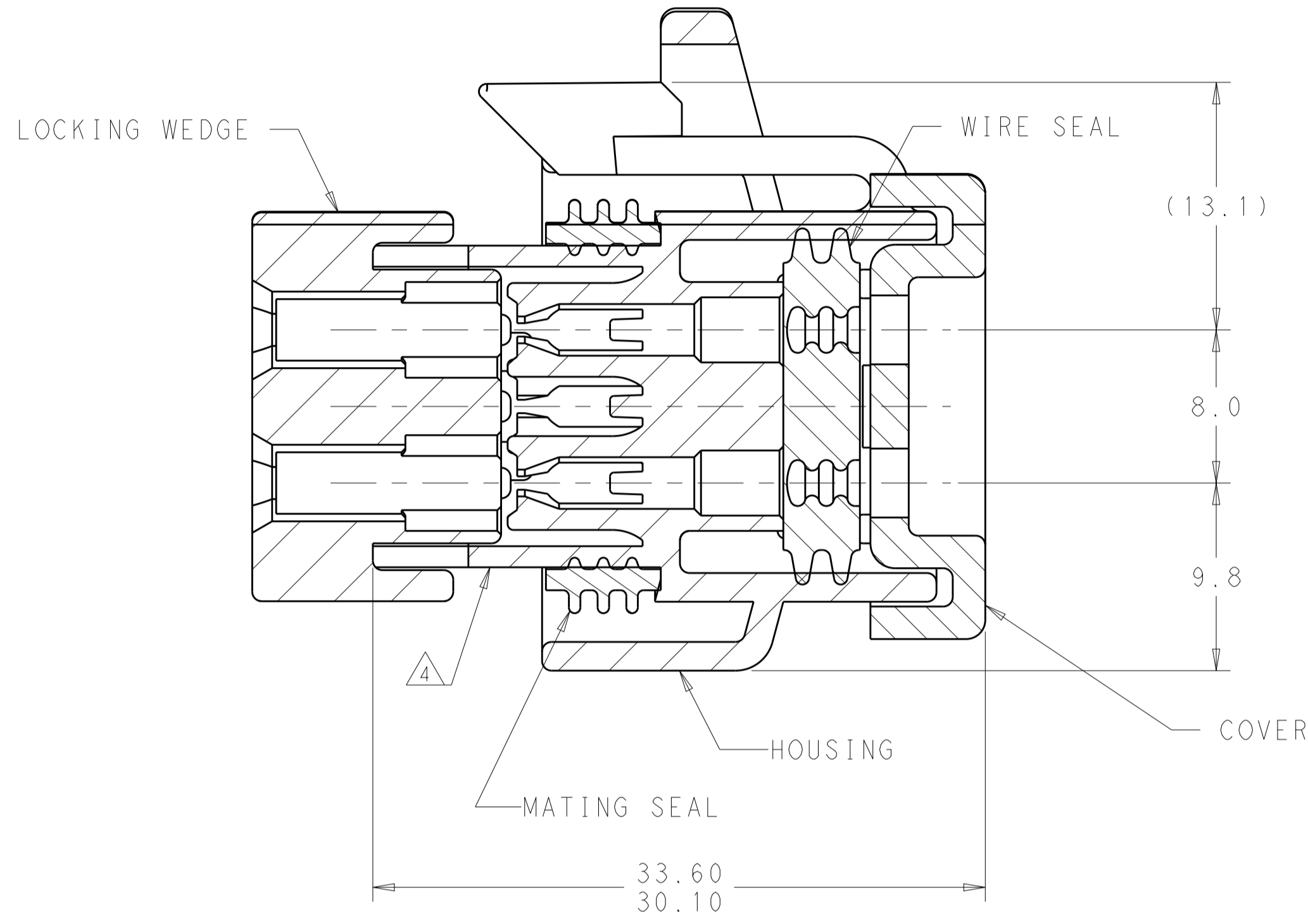
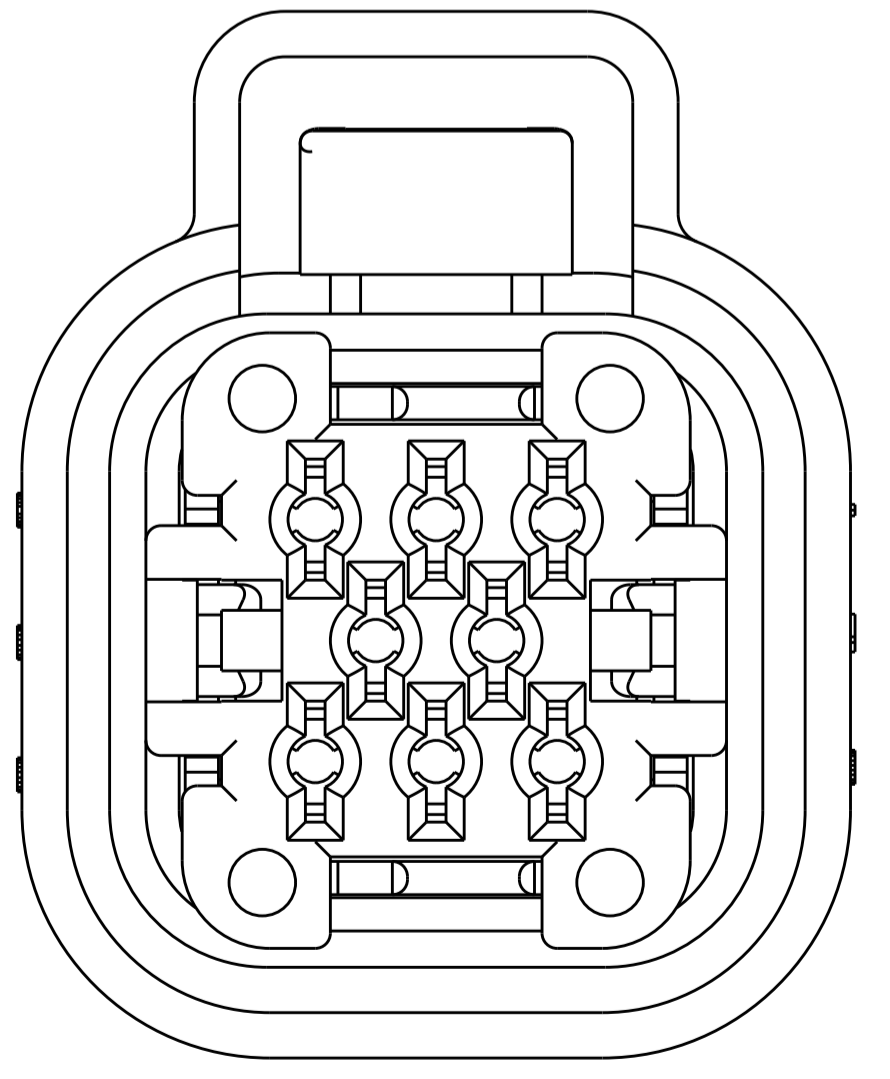


LOC	DIST	REVISIONS			
P	LTN	DESCRIPTION	DATE	DMN	APVD
	D2	REVISED PER ECO-11-005264	22MAR2011	DLD	DCS
	E	REVISED PER ECO-11-010900	31MAY2011	DLD	DCS
	F	REVISED PER ECO-12-007864	24APR2012	DLD	DCS
	G	REVISED PER ECO-13-001003	17JAN2013	DLD	DCS

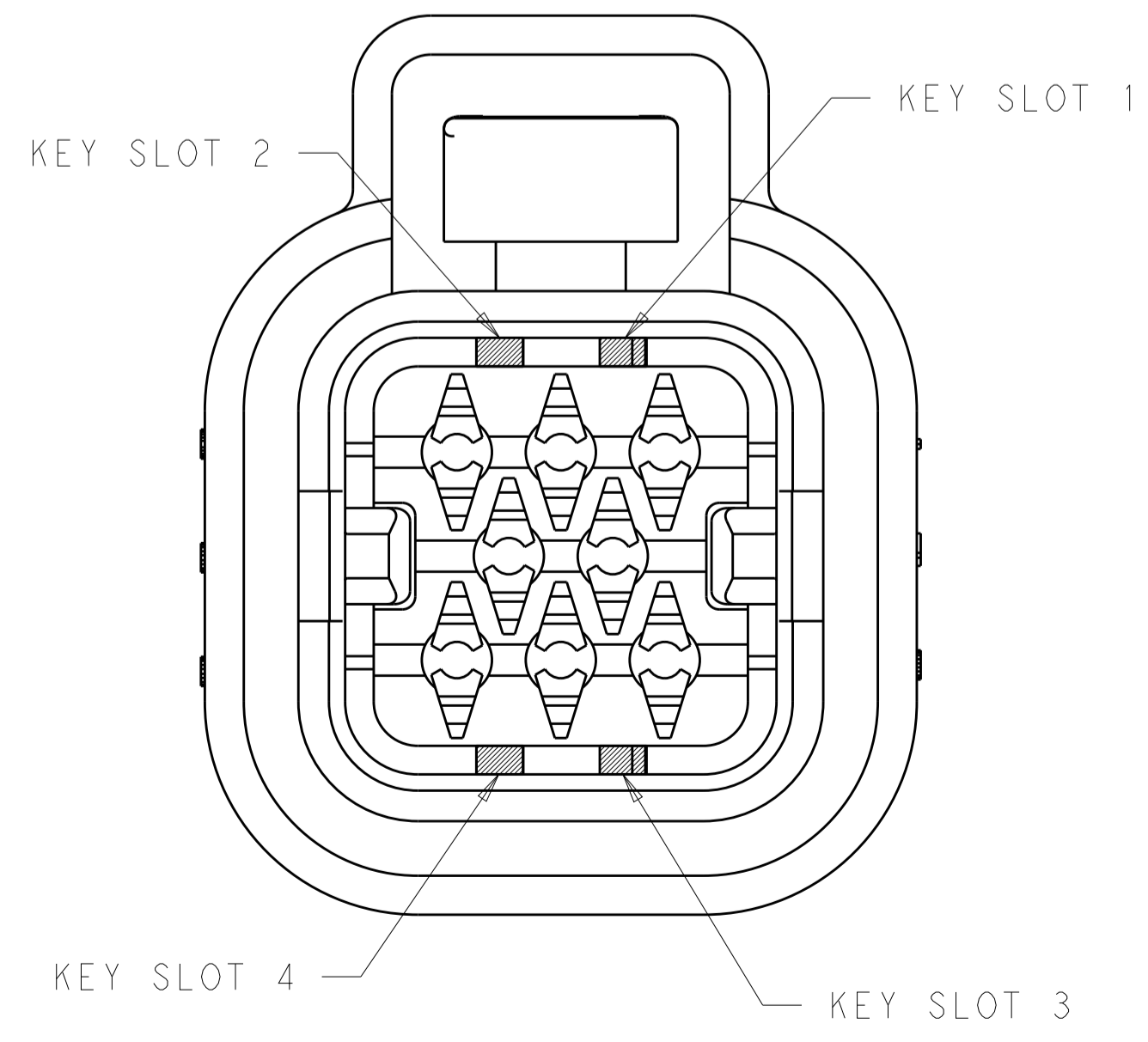
ASSEMBLY WILL PASS THRU Ø66 OPENING



- △ HOUSING COLORS ARE MECHANICALLY KEYED TO MATE WITH IDENTICALLY COLORED HEADER ASSEMBLIES.
- 2. PLUG MATES TO THE FOLLOWING:
 RIGHT ANGLE HEADER - 776279, 776280
 VERTICAL HEADER - 776275, 776276
- 3. PLUG USES REELED TERMINAL 770520 OR LOOSE PIECE TERMINAL 770854.
- △ DATE CODE ON THIS SURFACE. USES 5 DIGIT CODE:
 FIRST 2 DIGITS = YEAR, SECOND 2 DIGITS = WEEK, LAST DIGIT = DAY.



BOTTOM VIEW WITH LOCKING WEDGE
 SCALE 4:1



KEY SLOT LOCATIONS
 SCALE 4:1

1 & 3	776286-2
2 & 4	776286-1
KEY SLOT LOCATION (SEE VIEW ABOVE)	PART NUMBER

GLASS FILLED PBT, BLACK	SILICONE RUBBER, YELLOW	SILICONE RUBBER, YELLOW	PBT, RED	PBT, NATURAL	776286-2
COVER	WIRE SEAL	MATING SEAL	LOCKING WEDGE	△ HOUSING	776286-1
					PART NUMBER
THIS DRAWING IS A CONTROLLED DOCUMENT.			DMN R. VESTAL 08SEP2009		TE Connectivity NAME PLUG ASSEMBLY, 8 POSITION, AMPSEAL PRODUCT SPEC 108-1329 APPLICATION SPEC 114-16016 WEIGHT - CUSTOMER DRAWING
DIMENSIONS:		TOLERANCES UNLESS OTHERWISE SPECIFIED:		APVD D. STRAUSSER 08SEP2009	
mm	0 PLC ±	1 PLC ±0.2	2 PLC ±	3 PLC ±	
	4 PLC ±	ANGLES ±	SIZE CAGE CODE DRAWING NO. RESTRICTED TO		
MATERIAL SEE TABLE	FINISH SEE TABLE	SCALE 4:1		SHEET 1 OF 1	REV G