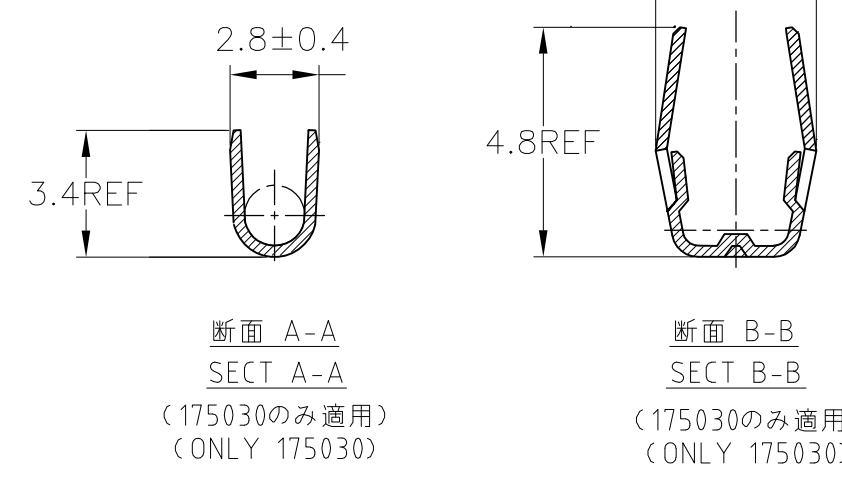
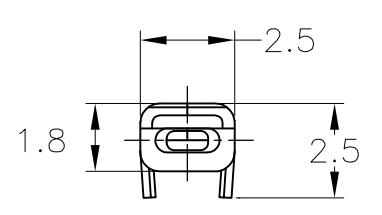
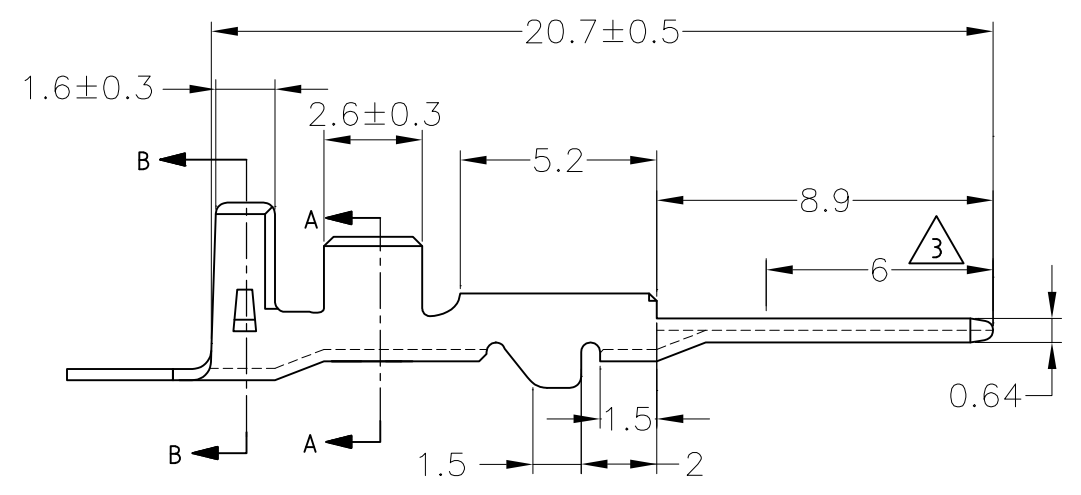
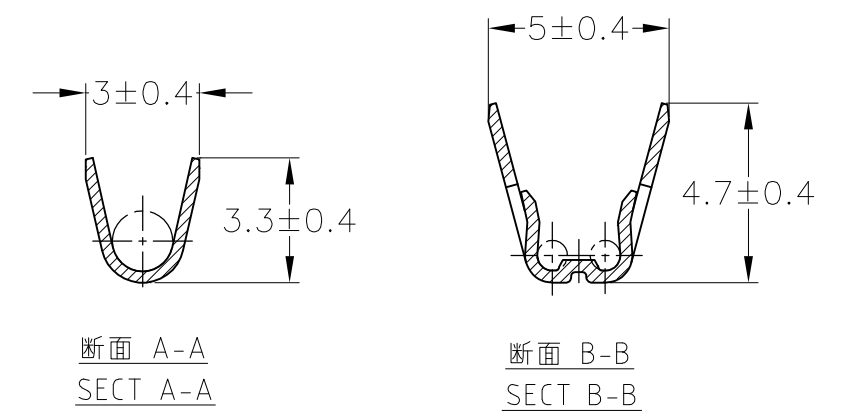
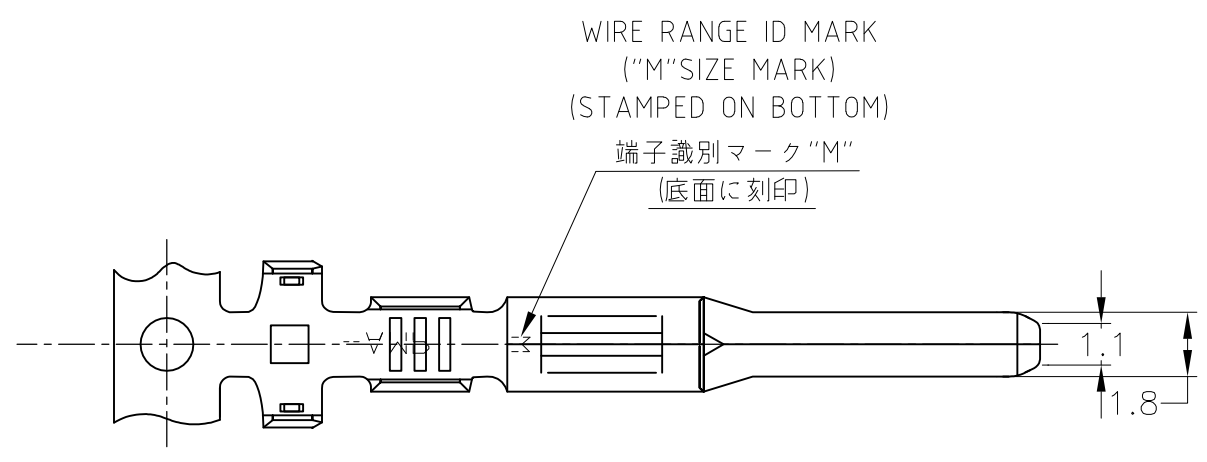


THIS DRAWING IS UNPUBLISHED. RELEASED FOR PUBLICATION  
 © COPYRIGHT - By - ALL RIGHTS RESERVED.

LOC	DIST	REVISIONS 変更					
J	-	P	LTR	DESCRIPTION	DATE	DWN	APVD
			E2	REVISED PER ECO-11-005140	28MAR11	RK	HMR



- 1. 製品規格 ; 108-5231, 108-5264
- 2. 嵌合相手端子型番 ; 173631 他
- 3. 圧着規格 ; 114-5092

- 1. SPEC; 108-5231, 108-5264
- 2. RECEPTACLE CONTACT; 173631 etc
- 3. APPLICATION SPECIFICATION; 114-5092

SEE DRAWING 173645-5			173645-5
175030-3	部分金めっき SELECTIVE GOLD	リン青銅 板厚0.32 PHOS BRO. ±0.32	173645-3
175030-2	錫めっき済み PRE-TINNED	リン青銅 板厚0.32 PHOS BRO. ±0.32	173645-2
175030-1	錫めっき済み PRE-TINNED	黄銅 板厚0.32 BRASS ±0.32	173645-1
パラ端子型番 L/P NUMBER	仕上 FINISH	材料 MATERIAL	型番 PART NUMBER

TOLERANCES UNLESS OTHERWISE SPECIFIED:  
一般公差

10 ≥	:	±0.2
30 ≥	> 10 :	±0.25
100 ≥	> 30 :	±0.3
ANGLE :		±3°

THIS DRAWING IS A CONTROLLED DOCUMENT.

DIMENSIONS: 単位: 耗 mm	TOLERANCES UNLESS OTHERWISE SPECIFIED: 一般公差
	0 PLC ± -
	1 PLC ± -
	2 PLC ± -
	3 PLC ± -
	4 PLC ± -
	ANGLES ± -
MATERIAL 材料	FINISH 仕上
SEE TABLE	SEE TABLE

DWN M.SUGAWARA 16MAY06	<b>STE</b> TE Connectivity			
CHK T.SHINOHARA 16MAY06				
APVD K.BETSUI 16MAY06				
PRODUCT SPEC 製品規格 SEE NOTE	NAME 名称 070 SERIES TAB CONTACT			
APPLICATION SPEC 取付適用規格 SEE NOTE	SIZE A3	CAGE CODE 00779	DRAWING NO 番号 C-173645	RESTRICTED TO
WEIGHT -	CUSTOMER DRAWING			SCALE 尺度 5:1
			SHEET 1 OF 1	REV E2