

4

3

2

1

THIS DRAWING IS UNPUBLISHED.

RELEASED FOR PUBLICATION

20

LOC

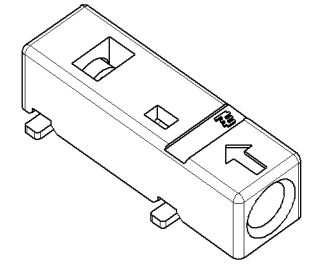
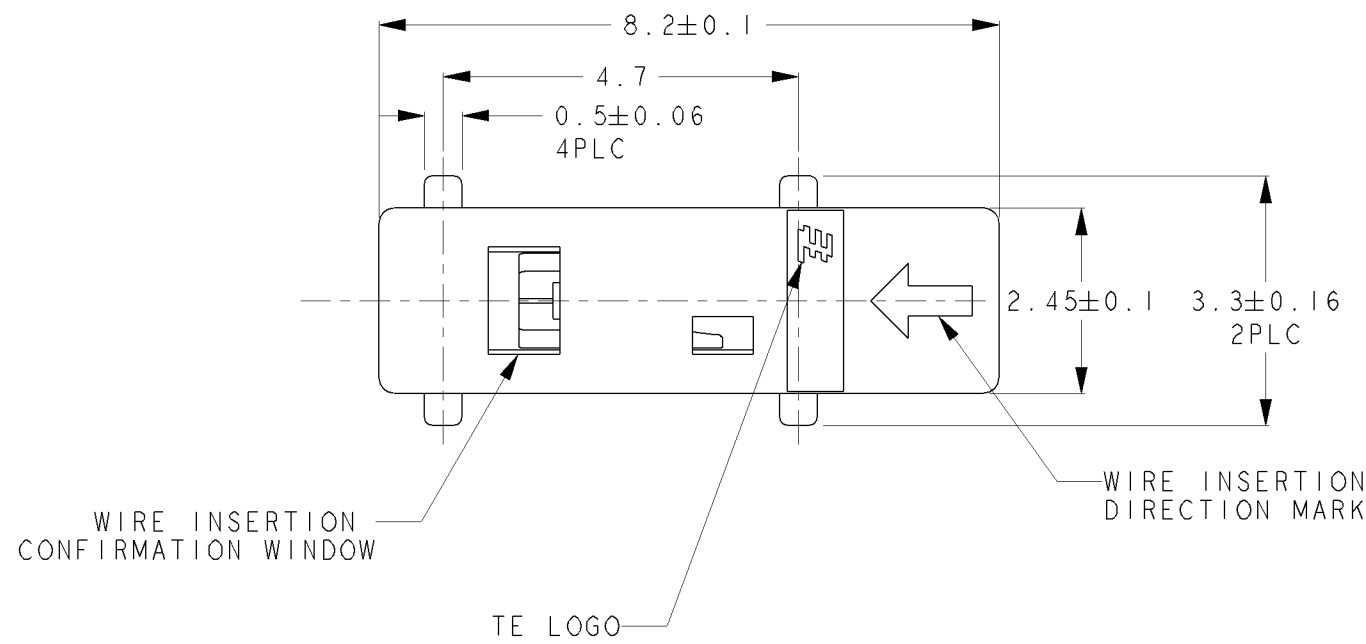
DIST

REVISIONS

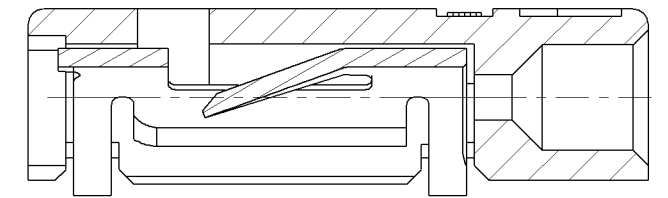
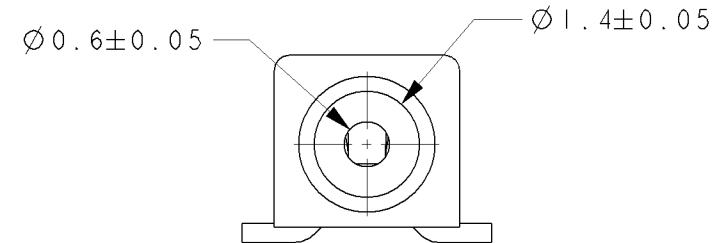
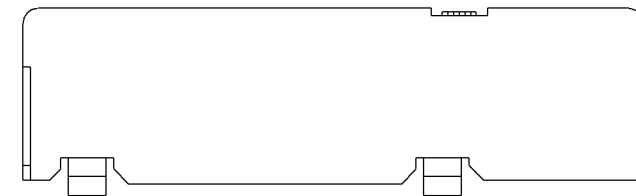
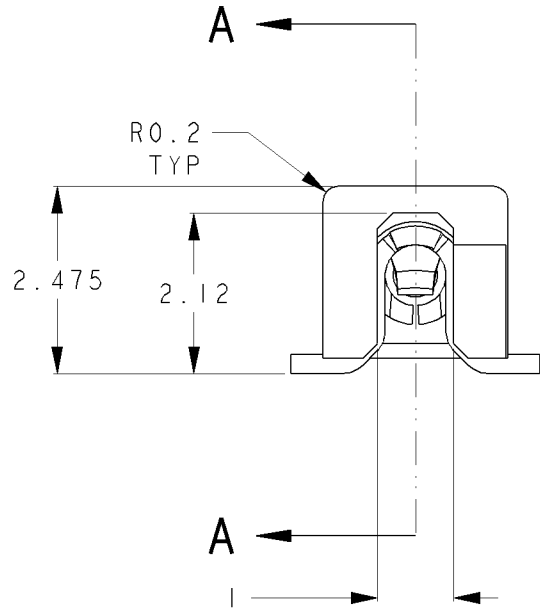
© COPYRIGHT 20 BY -

ALL RIGHTS RESERVED.

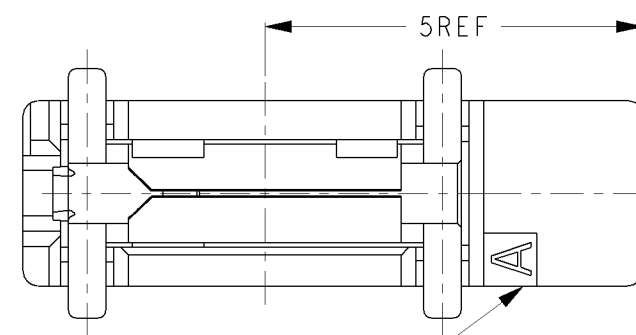
P	LTR	DESCRIPTION	DATE	DWN	APVD
	C	REVISED	11MAY2011	T.N	E.T



SCALE 5:1



A - A



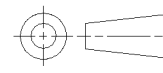
- ① 1. APPLICABLE WIRES: AWG#24 SOLID TIN COATING
AWG#26 SOLID TIN COATING
- 2. ABOUT HSG VISUAL STANDARD : TO CONFORM TYCO ELECTRONICS JAPAN G.K. INTERNAL RULE.
- 3. MATERIAL
-HOUSING : LCP UL94V-0,
COLOR : NATURAL
-CONTACT : COPPER ALLOY, Sn COATING
- 4. COPLANARITY : 0.1mmMAX(INITIAL).

② 5 REFERENTIAL VACUUM AREA: SEE FIG 4

③ 6 REFER FIG. 1 AS DATE CODE MARKING POSITION AND AREA. DATE CODE IS MARKED AT ONE SURFACE OR SEVERAL SURFACE.

THIS DRAWING IS A CONTROLLED DOCUMENT.

DIMENSIONS:
mm



TOLERANCES UNLESS OTHERWISE SPECIFIED:
± 0.2

0-PLC	±
1-PLC	±
2-PLC	±
3-PLC	±
4-PLC	±
ANGLES	±3°

MATERIAL

FINISH

DWN	16 JUL 2010
T. NAGASAKI	
CHK	16 JUL 2010
E. TAKEMASA	
APVD	16 JUL 2010
E. TAKEMASA	
PRODUCT SPEC	
108-78810	
APPLICATION SPEC	
114-5482	
WEIGHT	0.0827g



NAME: MICRO POKE IN IP ASSEMBLY

NOT THE LATEST REVISION

SIZE: A300779 CAGE CODE: C-2134611 DRAWING NO: 108-78810-114-5482

CUSTOMER DRAWING

SCALE 10:1

SHEET 1 OF 3

REV C

LOC	DIST	REVISIONS					
		P	LTR	DESCRIPTION	DATE	DWN	APVD
J	-		-	SEE SHEET 1			

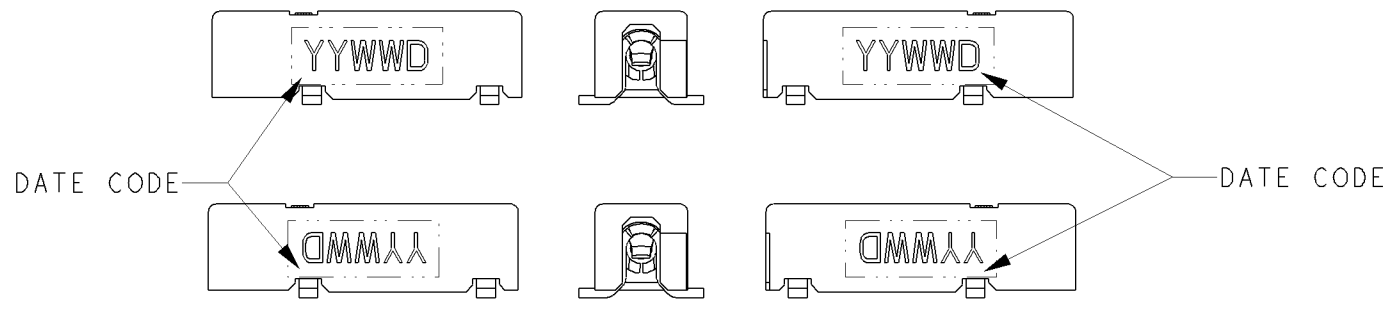


FIG. 1 DATE CODE MARKING POSITION AND AREA

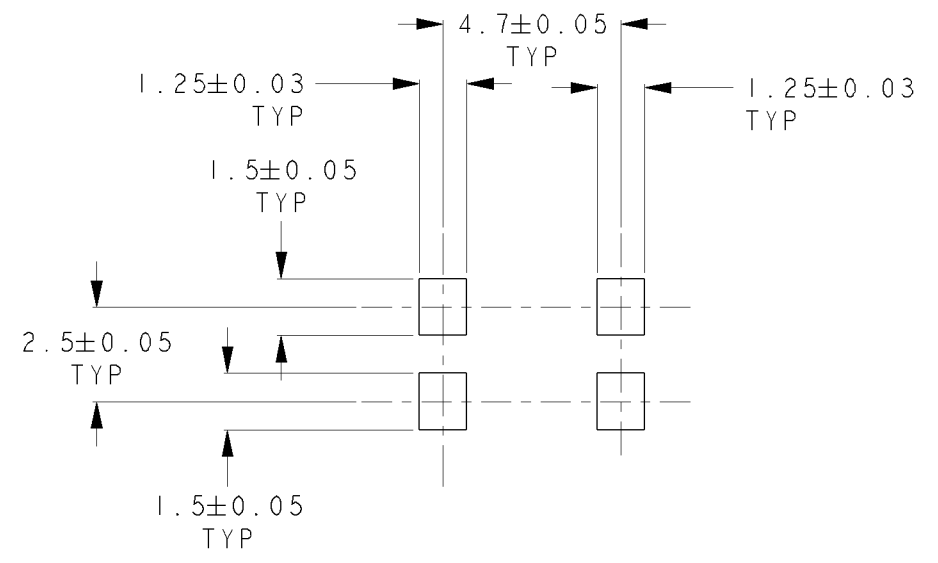


FIG. 2 REFERENTIAL P.C.B LAYOUT

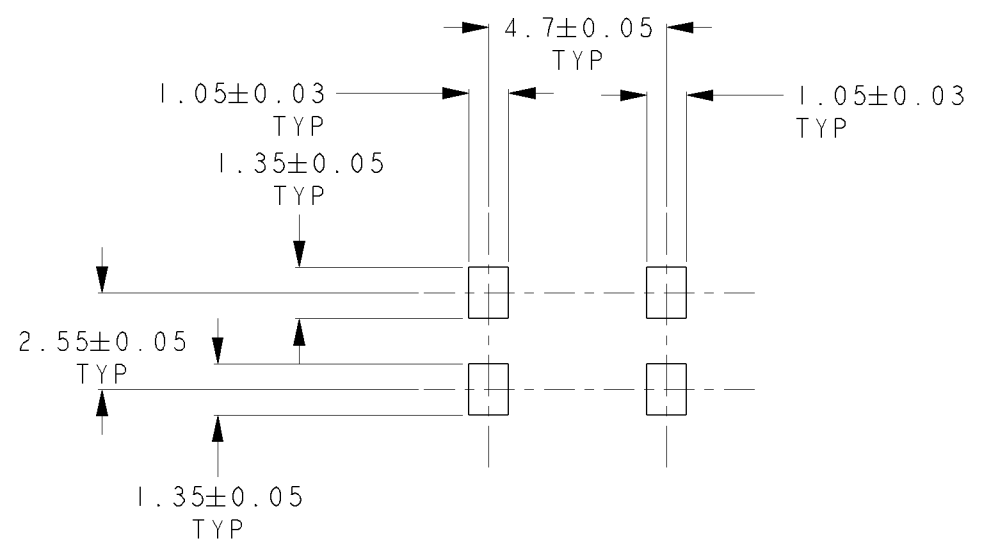


FIG. 3 REFERENTIAL METAL MASK PAD OPENING
 REFERENTIAL METAL MASK THICKNESS IS 0.15mm

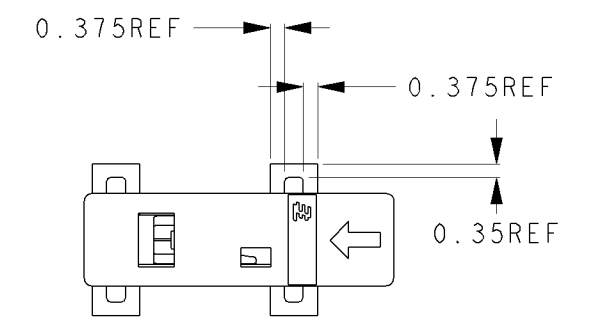


FIG. 5 REFERENTIAL CONNECTOR PLACEMENT

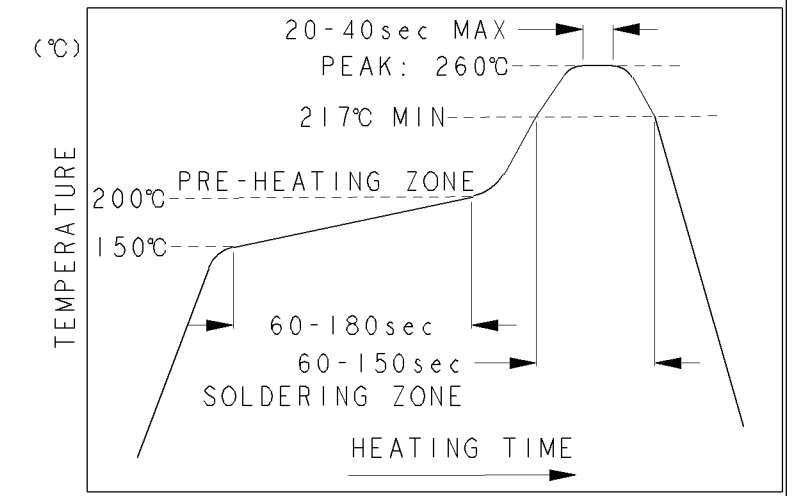


FIG. 6 REFERENTIAL REFLOW TEMPERATURE PROFILE
 (BASED ON IPC/JEDEC J-STD-020C)

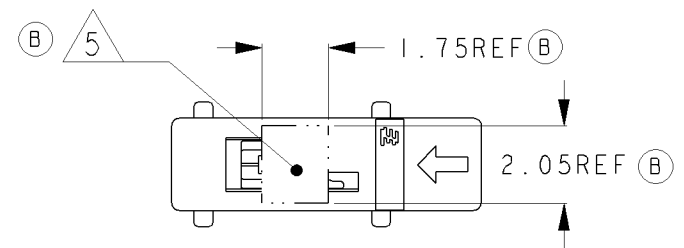


FIG. 4 REFERENTIAL VACUUM AREA

THIS DRAWING IS A CONTROLLED DOCUMENT.		DWN	TE Connectivity		
		CHK			
DIMENSIONS: mm		APVD	NAME		
TOLERANCES UNLESS OTHERWISE SPECIFIED: ± 0.2		PRODUCT SPEC	MICRO POKE IN IP ASSEMBLY		
0-PLC ± 1-PLC ± 2-PLC ± 3-PLC ± 4-PLC ± ANGLES ±3°		APPLICATION SPEC	SIZE	CAGE CODE	DRAWING NO
MATERIAL		WEIGHT	A300779	C-2134611	RESTRICTED TO
		CUSTOMER DRAWING	SCALE	SHEET	REV
			5:1	2 OF 3	C

4

3

2

1

THIS DRAWING IS UNPUBLISHED.

RELEASED FOR PUBLICATION

- . - .

LOC

DIST

REVISIONS

© COPYRIGHT - By -

ALL RIGHTS RESERVED.

P

LTR

DESCRIPTION

DATE

DWN

APVD

D

D

DIRECTION OFF TOP OF REEL

Dimensions shown in the main drawing:

- Horizontal spacing: 2, 8, 4
- Vertical dimensions: 1.75, 4.22, 8.44, 22.25, 24
- Section lines: B-B

C

C

Dimensions for cross-section B-B:

- 3.28
- 0.65
- 2.75

(APPLIED TO SHEET 3)

1. THE DIRECTION OF EACH CONNECTOR ON AN EMBOSS IS REFERRED TO THIS DRAWING.

② 2. REEL CONFIGURATION AND DIMENSIONS PER EIA 481-D

B

B

Reel layout dimensions and instructions:

- FLANGE CORE DIAMETER: $\phi 100$
- REEL DIAMETER: $\phi 330$
- REEL WIDE: (30.4)
- WITHOUT CHARGE: 160mm APPROX
- WITH PRODUCT CHARGE: 160mm APPROX
- WITHOUT CHARGE: 400mm APPROX
- PEELING ANGLE: $165^\circ \sim 180^\circ$
- WEEDING THE COVER TAPE AROUND THE OUTER PERIPHERY IN A TURN.

A

A

THIS DRAWING IS A CONTROLLED DOCUMENT.

DWN 11MAY2011

CHK

APVD

PRODUCT SPEC

APPLICATION SPEC

WEIGHT

CUSTOMER DRAWING

DIMENSIONS:

mm

TOLERANCES UNLESS OTHERWISE SPECIFIED:

0 PLC	± 0.5
1 PLC	± 0.5
2 PLC	± 0.5
3 PLC	± 0.5
4 PLC	± 0.5
ANGLES	$\pm 30'$

MATERIAL

FINISH

NAME			
MICRO POKE IN 1P ASSEMBLY			
SIZE	CAGE CODE	DRAWING NO	RESTRICTED TO
A3	00779	C=2134611	-

SCALE	NTS	SHEET	3 OF 3	REV	C
-------	-----	-------	--------	-----	---

1470-19 (3/11)