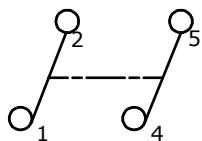
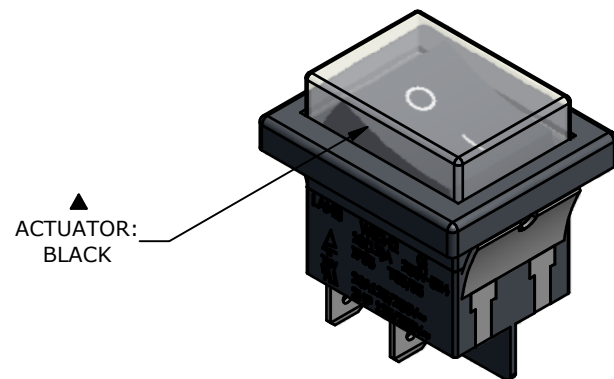
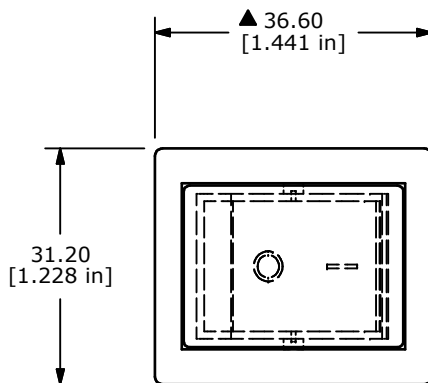


RECOMMENDED PANEL MOUNTING

PANEL THICKNESS	X
1-2	31 +.1/-0
2-2.5	31.6 +.1/-0



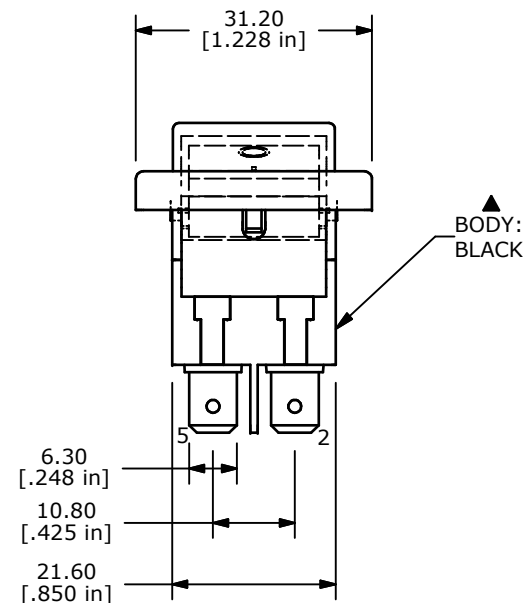
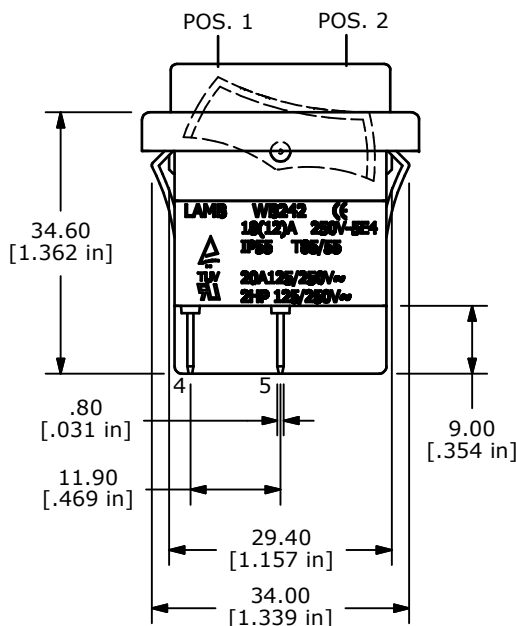
CIRCUIT: DPST

SWITCH FUNCTION	
POS. 1	POS. 2
OFF	ON
OPEN	2-1, 5-4

(ON)=MOMENTARY

NOTE:

- DIMENSIONS IN mm [INCH]
- GENERAL TOLERANCE: X.X = ± 0.4
X.XX = ± 0.25
- TERMINAL NUMBERS FOR REF ONLY
- CONTACT MATERIAL: SILVER PLATED COPPER
- CONTACT RATINGS: 20A @ 125VAC [cURus]
20A @ 250VAC [cURus]
2.0HP 125/250VAC [cURus]
18(12)A 250V~ 5E4 T85 [TUV]
- CONTACT RESISTANCE: 50mΩ MAX. INITIAL
- INSULATION RESISTANCE: 500MΩ MIN. @ 500VDC
- DIELECTRIC STRENGTH: 1,500VAC FOR 1 MINUTE
- IP RATING: IP55
- OPERATING TEMPERATURE: -20°C TO 65°C [cURus]
-20°C TO 65°C [TUV]
- RUBBER SEAL: MVQ
- ▲ DENOTES CRITICAL PARAMETER
- 2002/95/EC (ROHS) COMPLIANT



TITLE WB242D1121-ACC-KF05

B	21106	2.0HP WAS 1.5HP; ADD TUV RATING	4/16/13	EBP
A	20663	New Release	7/3/12	rc
REV	PCR NO	DESCRIPTION	DATE	BY

THE INFORMATION CONTAINED IN THIS DOCUMENT IS PROPRIETARY TO E-SWITCH AND IS NOT TO BE COPIED OR TRANSFERRED

SCALE	DATE	DR	DWG	REV
NONE	7/3/2012	rc	34-WB2S00228	B