

**PLEASE CHECK WWW.MOLEX.COM FOR LATEST PART INFORMATION**

**Part Number:** [03-12-2045](#)  
**Status:** **Active**  
**Description:** 3.18mm Diameter, HCS125, Pin and Socket Plug Housing, Single Row, with Panel Mount Ears, 4 Circuits, Natural (Translucent)

**Documents:**

[3D Model](#) [Product Specification PSX-42179 \(PDF\)](#)  
[Drawing \(PDF\)](#) [RoHS Certificate of Compliance \(PDF\)](#)

**Agency Certification**

CSA LR19980  
 UL E29179

**General**

Product Family Crimp Housings  
 Series [42179](#)  
 Application Power, Wire-to-Wire  
 MolexKits Yes  
 Product Name HCS-125  
 UPC 800754232753

**Physical**

Circuits (maximum) 4  
 Color - Resin Natural  
 Flammability 94V-2  
 Gender Dual  
 Glow-Wire Compliant No  
 Lock to Mating Part Yes  
 Material - Resin Nylon  
 Net Weight 5.410/g  
 Number of Rows 1  
 Packaging Type Bag  
 Panel Mount Yes  
 Pitch - Mating Interface 8.38mm  
 Polarized to Mating Part Yes  
 Stackable No  
 Temperature Range - Operating -40°C to +105°C

**Electrical**

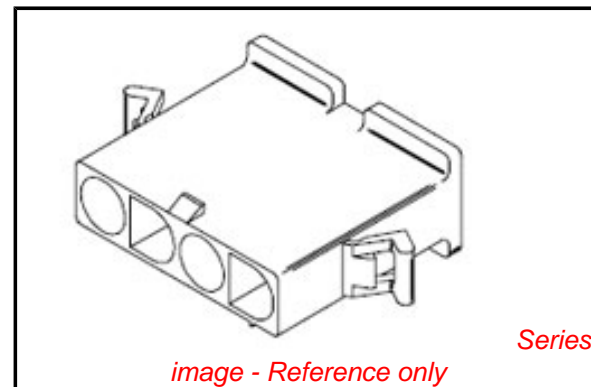
Current - Maximum per Contact 20.0A

**Material Info**

Old Part Number 42179-4P

**Reference - Drawing Numbers**

Product Specification PSX-42179  
 Sales Drawing SD-42179-4\*



**EU RoHS**

**ELV and RoHS Compliant**  
**REACH SVHC Contains SVHC: No**  
**Low-Halogen Status Low-Halogen**

**China RoHS**



**Need more information on product environmental compliance?**

Email [productcompliance@molex.com](mailto:productcompliance@molex.com)  
 For a multiple part number RoHS Certificate of Compliance, [click here](#)

Please visit the [Contact Us](#) section for any non-product compliance questions.

**Search Parts in this Series**

[42179Series](#)

**Mates With**

[03-12-1046](#)

**Use With**

[1900 Male Crimp Terminals](#), [1901](#), [2046](#), [2047](#), [42546](#), [42547](#), [42554](#), [42555](#)

**PLEASE CHECK WWW.MOLEX.COM FOR LATEST PART INFORMATION**