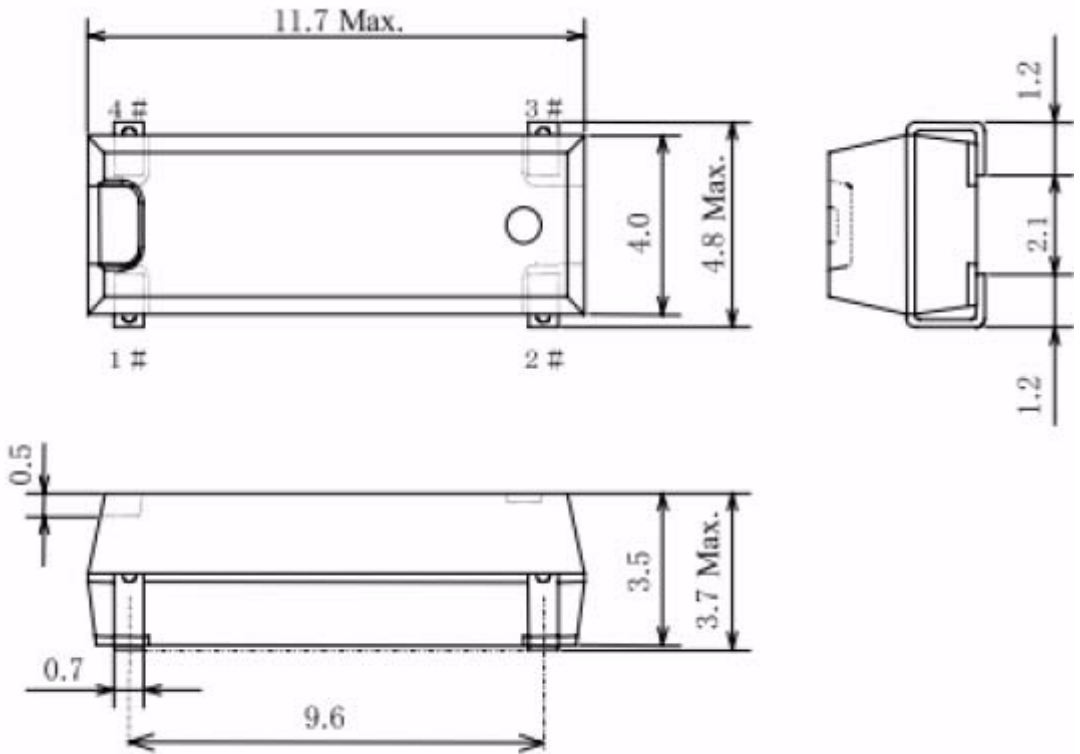




**SPECIFICATION  
CONTROL DRAWING  
Crystal Resonator**

|                  |
|------------------|
| <b>FREQUENCY</b> |
| 24.000000MHz     |



|                         |                      |
|-------------------------|----------------------|
| Holder Style            | CM309E               |
| Mode                    | Fundamental          |
| Adjustment Tolerance    | ± 50PPM at 25°C      |
| Temperature Stability   | ± 100 PPM            |
| Operating Temp. Range   | -40°C to +85°C       |
| Load Capacitance        | 30 pF                |
| ESR                     | 50 Ohms Max Ohm      |
| Static Capacitance (C0) | Unspecified pF       |
| Ageing                  | +/-5ppm 1st Year Max |
| Marking                 | Mark Std             |

| Amdt Date | Change Note            | AEL Code       |
|-----------|------------------------|----------------|
|           | 260C Reflow Compatible | X24M000000S250 |
|           |                        | Issue Ref A    |