

# VP-Series

## Contura Illuminated Indicator

The Illuminated Indicator is offered with removable/replaceable lamps, Contura styling, and LED illumination. As a critical safety feature, it's illumination alerts the operator of essential system functions or malfunctions like: oil pressure, high temperature, transmission or other fluid levels, parking brake, or general system malfunction. Three different style housings (flush, raised panel, oval) assure seamless integration with Contura switches and into most any dashboard panel.

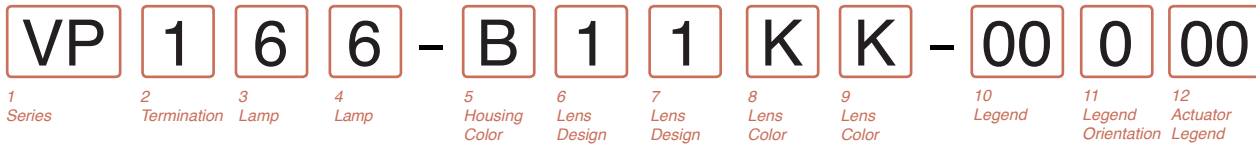


**Carling Technologies®**

Innovative Designs. Powerful Solutions.

Innovative Designs. Powerful Solutions.

Carling Technologies, Inc.  
60 Johnson Avenue • Plainville, CT 06062-1177  
Phone: (860) 793-9281 • Fax: (860) 793-9231  
Email: [sales@carlingtech.com](mailto:sales@carlingtech.com) • [www.carlingtech.com](http://www.carlingtech.com)



**1 SERIES**  
**VP** Illuminated plug  
**H2<sup>1</sup>** housing only  
**H3<sup>2</sup>** lamp module only  
**HP1-01** VP connector for oval and flush bezel only  
**VC1-01** VP connector for raised bezel only

**2 TERMINATION**  
**1** .250 TAB

**3,4 LAMP (same coding for both selections)<sup>4,5,6,8,9,12</sup>**  
 No lamp **0**  
 Neon **1** 125VAC    **2** 250VAC  
 Incandescent    **5** 6V    **6** 12V    **7** 18V    **8** 24V  
 LED\*    **A** Amber    **G** Green    **R** Red  
 2VDC    **L**    **F**    **S**  
 6VDC    **M**    **G**    **S**  
 12VDC    **N**    **H**    **T**  
 24VDC    **P**    **J**    **V**  
 \*Typical current draw for LED is 20ma.

**5 HOUSING COLOR**

	flush bracket	raised bracket <sup>13</sup>	oval bezel (Contura V)
Black	<b>B</b>	<b>6</b>	<b>1</b>
Gray	<b>W</b>	-	<b>2</b>
White	<b>R</b>	<b>5</b>	<b>3</b>
Red	<b>G</b>	-	<b>4</b>

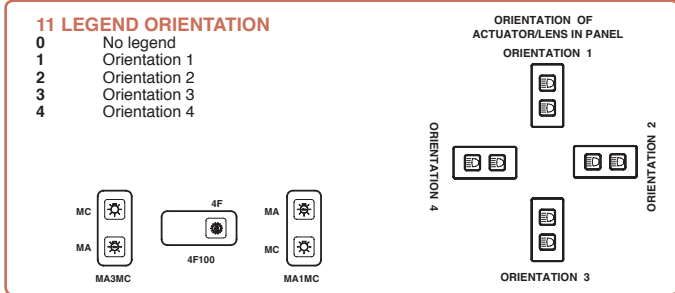
**6,7 SQUARE LENS DESIGN (same coding for both selections)<sup>4,5,6,11,12</sup>**  
**Z** no lens  
**1** transparent diamond square<sup>10</sup>  
**2** translucent square<sup>7</sup>  
**3** laser etched<sup>10</sup>  
**4** transparent oval  
**5** translucent oval

**8, 9 LENS (same coding for both selections)<sup>3,4,5,6,9</sup>**

<b>Z</b>	NO LENS					
<b>CLEAR</b>	<b>WHITE</b>	<b>AMBER</b>	<b>GREEN</b>	<b>RED</b>	<b>BLUE</b>	<b>LENS STYLE</b>
<b>4</b>	<b>9</b>	<b>E</b>	<b>K</b>	<b>R</b>	<b>W</b>	One piece Square/Oval <sup>11</sup>
<b>5</b>	<b>A</b>	<b>F</b>	<b>L</b>	<b>S</b>	<b>Y</b>	Two piece Square* (w/ clear top protective lens)
<b>2</b>	<b>7</b>	<b>C</b>	<b>H</b>	<b>N</b>	<b>U</b>	Two piece Square* (w/ smoke top protective lens)
<b>1</b>	<b>6</b>	<b>B</b>	<b>G</b>	<b>M</b>	<b>T</b>	Two piece Square* (w/ white top protective lens)*

All bottom lenses are molded of opaque material. Consult factory for other lens colors.

**10 LAMP #1 LENS OR BODY LEGEND<sup>5</sup>**  
**00** No legend  
 For legend options, visit us at [carlingtech.com](http://carlingtech.com)



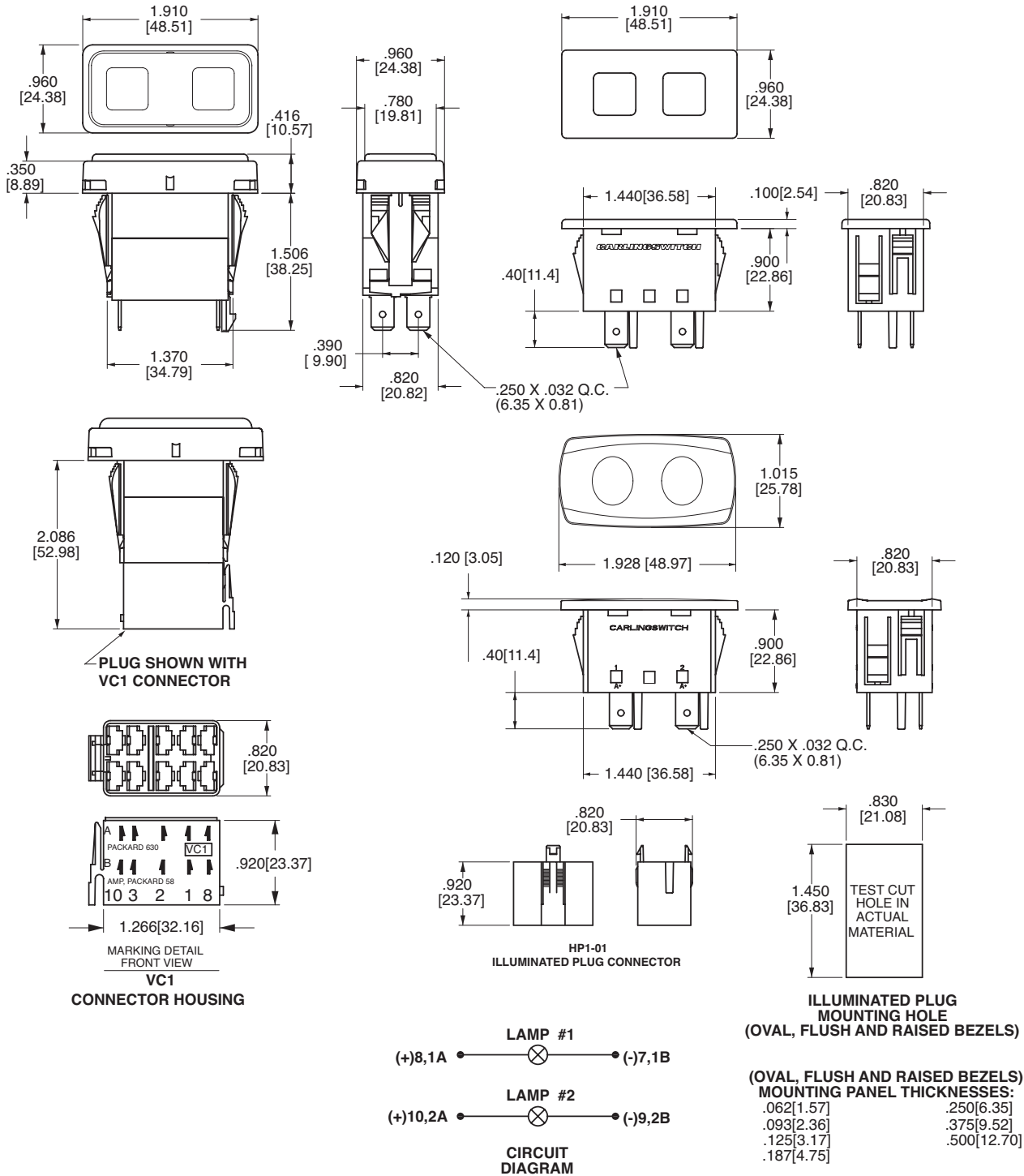
**12 LAMP #2 LENS OR BODY LEGEND<sup>5</sup>**  
**00** No legend  
 For legend options, visit us at [carlingtech.com](http://carlingtech.com)

Notes:

- To order housing with lenses only, specify H2 followed by fields 5-12. (flush bezel only)
- To order lamp module only, specify H3 followed by fields 2-3. (flush bezel only)
- Two piece lens not available with oval bezel.
- If only 1 lamp, specify 0 in selection 4 and Z in selections 7 & 9.
- Lamp and lens #1 located over terminals 1A and 1B for flush & oval bezel.
- Lamp and lens #2 located over terminals 2A and 2B for flush & oval bezel.
- Available with 2 piece lens option only.
- Neon lamps not recommended with blue or green lenses.
- Green or blue lenses not recommended with neon lamps.
- Available with one piece lens option only.
- Oval bezel available with oval lens only. Oval lens available with oval bezel only.
- Lamp & lens #1 located over terminals 7 & 8, & #2 located over 9 & 10 for raised bezel option.
- Both bracket and insert will be same color. For white bracket with black insert, specify 7. For black bracket with white insert, specify 8.

\*Manufacturer reserves the right to change product specification without prior notice.

**Dimensional Specifications: in. [mm]**



Notes:  
 Oval and flush bezel styles use terminals 1A, 1B, 2A, 2B. Raised bezel style uses terminals 7, 8, 9, 10.

REV\_SW\_VP\_0712