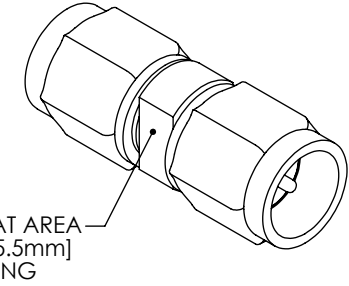
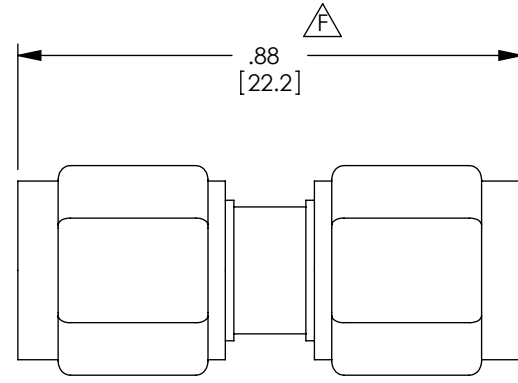
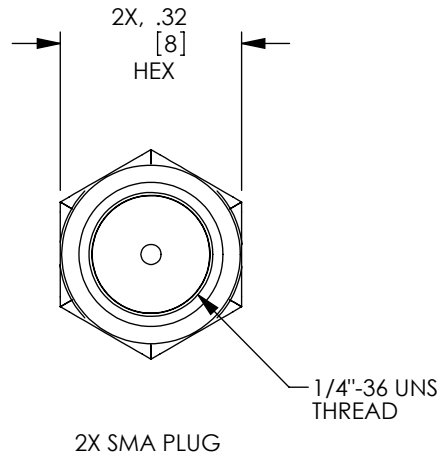


THE INFORMATION CONTAINED IN THIS DRAWING IS THE SOLE PROPERTY OF L-COM, INC. ANY REPRODUCTION IN PART OR WHOLE WITHOUT THE WRITTEN PERMISSION OF L-COM, INC. IS PROHIBITED.

REVISIONS			
REV	DESCRIPTION	DATE	APPROVED
E	ECN 4323: UPDATE DIMENSIONS AND NOTES	10/26/09	D.FRISIELLO
F	ECN 5736: REVISED DRAWING TO MATCH VENDOR	9/27/11	D.FRISIELLO

DESCRIPTION	MATERIAL	FINISH
BODY	BRASS	GOLD PLATED
SHELL	BRASS	GOLD PLATED
CENTER PIN	BRASS	GOLD PLATED
INSULATOR	PTFE	-



**RoHS Compliant** ✓

NOTES:  
ELECTRICAL:  
IMPEDANCE: 50 OHM

COMPONENT SHALL BE INDIVIDUALLY PACKAGED IN ACCORDANCE WITH L-COM SPECIFICATION PS-0031.

ALL DIMENSIONS ARE FOR REFERENCE ONLY.

UNLESS OTHERWISE SPECIFIED, DIMENSIONS ARE IN INCHES [mm]  DIMENSIONAL TOLERANCES: .X = ±.1 .XX = ±.03 .XXX = ±.005  ANGULAR TOLERANCES: ALL = ± 1°	APPROVALS C.MCCORMICK	DATE 06/05/2001		45 BEECHWOOD DRIVE NORTH ANDOVER, MA 01845	
	CHECKED BY D.PARHAM	06/05/2001			CATEGORY COAXIAL
	APPROVED BY R.CARRICK	06/05/2001	PRODUCT DESCRIPTION ADAPTOR SMA M/SMA M		
	PROJECTION 	COLOR VARIATIONS MAY OCCUR	SIZE <b>A</b>	FSCM NO. <b>43321</b>	DWG. NO. <b>BA22</b>
SCALE: NONE		CAD FILE: BA22.SLDDRW		SHEET 1 OF 1	