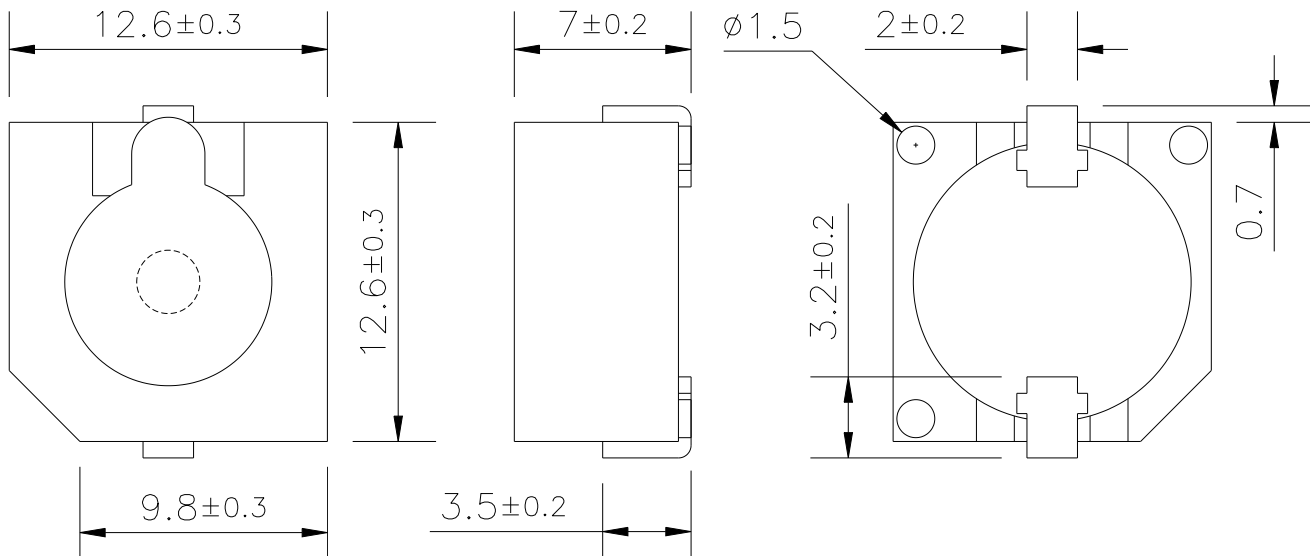


Specifications:

Oscillation Frequency (Hz)	2400 ± 400
Operating Voltage (Vp-p/max)	4.0 ~ 7.0
Rated Voltage (Vp-p)	5.0
Current Consumption Max. (mA)	50 at Rated Voltage
Sound Pressure Level Min. (dB/min)	87 at 10cm at Rated Voltage
Coil Resistance (Ω)	45 ± 8
Operating Temperature (°C)	-40 ~ +85
Storage Temperature (°C)	-40 ~ +85
Housing	PPS plastic resin (Color: Gray)
Type of Connection	SMD
Weight (Grams)	2.6
Condition by reflow soldering (°C)	245 ± 5 / 1 min
Condition by hand soldering (°C)	350 ± 20 / within 5 sec
Options	For other options contact factory

RoHS Compliant**Dimensions:** (units: mm)**Packaging:**

Parts are supplied on reels (300 pcs per tape and reel).

Direct Drive Transducer Operation:

Direct drive transducer devices do not have any included DC circuitry, so the user must apply a sine or square wave with the appropriate rated frequency. A square wave will typically result in more sound level than a sine wave. The higher the peak-to-peak voltage applied (up to the maximum rated voltage), the higher the resulting sound level.

Frequency Response:

