



**Mallory Sonalert Products, Inc.**

Part #: **ZA120SADP3**

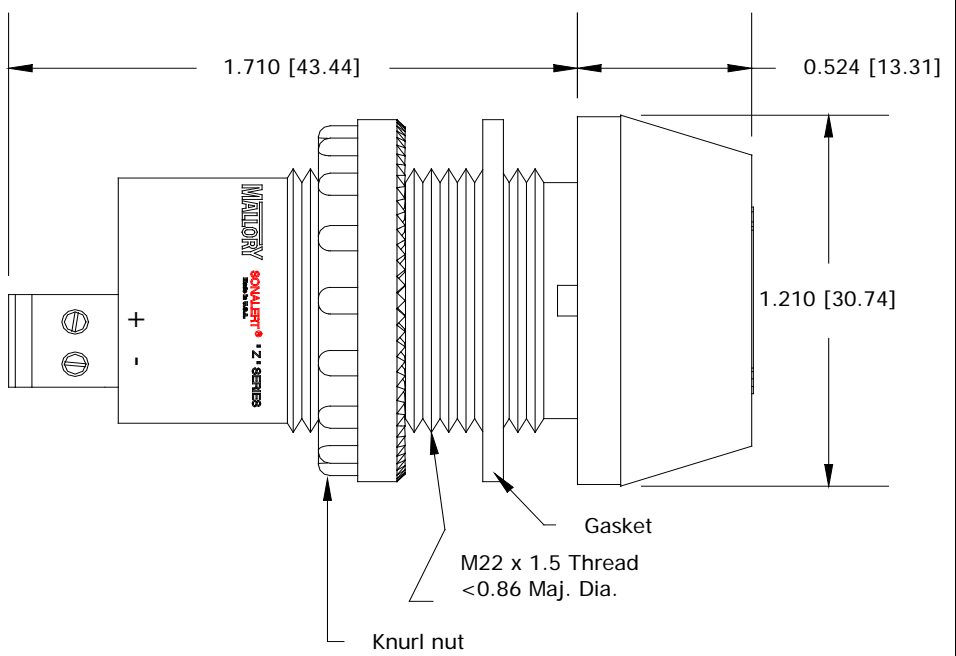
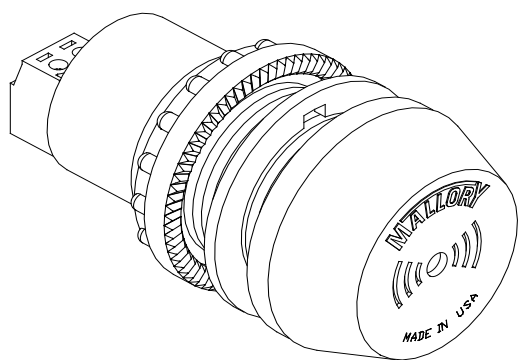
**Sales Outline Drawing**

Revision: **C**

**Specifications:**

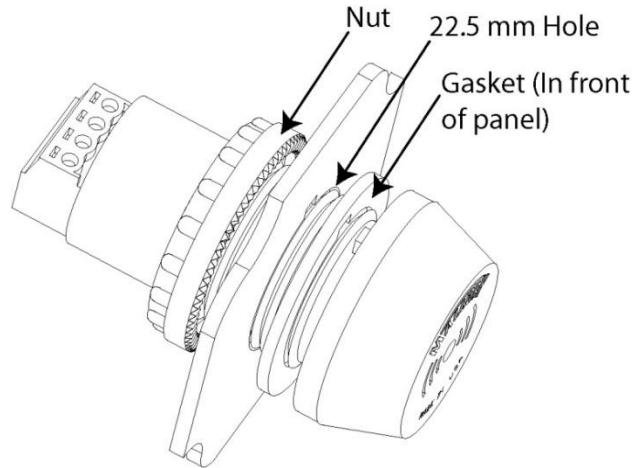
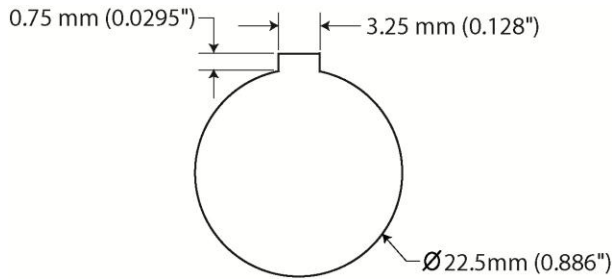
|                       |   |
|-----------------------|---|
| Sound Level Category  | Soft  |
| Mode of Operation     | Slow Double Pulse @ 0.5 PPS   |
| Voltage Rating        | 48 to 120 VAC/DC  |
| Frequency             | 3300 ± 500 Hz   |
| Loudness @ 2 FT       | 65 to 75 dB(A) Typ.   |
| Current Draw          | 40mA MAX  |
| Housing Material      | 6/6 Nylon, Color: Black   |
| Storage Temperature   | -40° to +55° C  |
| Operating Temperature | -30° to +50° C  |
| Panel Mounting        | Recommended hole size is 22.5 mm. Thread front will fit standard 22.5mm hole. |
| Knurled Nut           | Used to attach part to panel. The max recommended torque is 10 in-lbs.        |
| Weight (Typical)      | 28 g  |
| NEMA 3R,4X, & 12      | Approved with use of included gasket.   |
| cUL Recognition       | Supply voltage shall employ Transient Voltage Surge Suppression.              |
| Options               | Please contact factory.   |

**Dimensions:** Inches (mm) **cUL Recognized** **ROHS Compliant**



## ZA Series- 22mm Panel Alarms

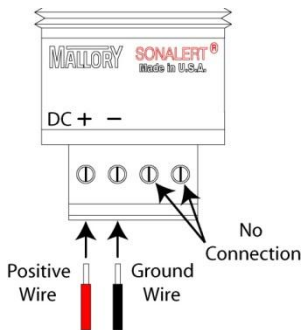
### Mounting Instructions:



### Panel Hole Cut Out

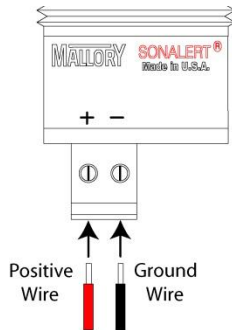
- **Panel Hole Size:** 22.5 mm with Keyway
- **Maximum Panel Thickness:** 12.7 mm (0.5 in)
- **Maximum Nut Torque:** 10 in-lbs (1.13 n-m)

### Electrical Connection:

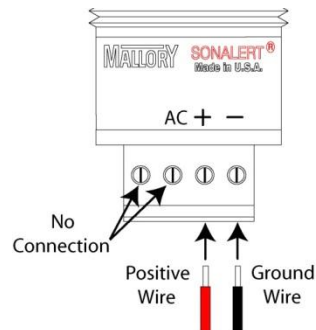


Before Code  
Date 1223 3

### DC ONLY

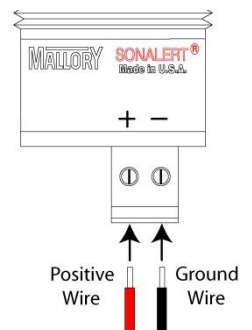


After Code  
Date 1223 3



Before Code  
Date 1223 3

### AC/DC



After Code  
Date 1223 3

- **Wire Strip Length:** 6.5 mm (0.256 in)
- **Wire Size:** 30 to 16 AWG
- **Maximum Screw Torque:** 2 in-lbs (0.226 n-m)



MALLORY SONALERT PRODUCTS, INC.

## ZA Series- 22mm Panel Alarms

### Certifications:

- **RoHS; cUL; NEMA 3R/4X/12; IP-66; CSA 22.2 No. 94**
  - Included gasket must be used to maintain NEMA 3R/4X/12 ratings.

### cUL Yellow Card:

## UL Online Certifications Directory

*UCST8.S1290*

*Audible Signal Appliances, General Signal Certified for Canada - Component*

### **Audible-signal Appliances, General Signal Certified for Canada - Component**

MALLORY SONALERT PRODUCTS INC  
4411 S HIGH SCHOOL RD  
INDIANAPOLIS, IN 46241 USA

S1290

**Audible tone generators, ZA aaa b c ddd (f9)**


(f9) - Must be used with neoprene gasket type 4216-S to maintain enclosure NEMA Type Ratings 3R, 4X and 12.

aaa - Indicates voltage rating. May be 016, 028, 048 or 120.

b - Indicates sound level. May be L, M or S.

c - Indicates voltage type. May be A or D.

ddd - Indicates Sound Function. May be any combination of letters A through Z and/or numbers 0 through 9.

Marking: Company name or tradename "Mallory" , "Sonalert" , model designation and Recognized Component Mark for Canada, 

Last Updated on 2012-02-03

## ZA Series- 22mm Panel Alarms

### Sound Level vs Distance:

| Various Measurement Distances | ZA Series Sound Level Category |                             |                           |
|-------------------------------|--------------------------------|-----------------------------|---------------------------|
|                               | Loud<br>85 – 95 dB @ 2 ft      | Medium<br>75 – 85 dB @ 2 ft | Soft<br>65 – 85 dB @ 2 ft |
| 10 cm (4 in)                  | 100 to 110 dB                  | 90 to 100 dB                | 80 to 90 dB               |
| 30 cm (1 ft)                  | 91 to 101 dB                   | 81 to 91 dB                 | 71 to 81 dB               |
| 1 Meter                       | 82 to 92 dB                    | 72 to 82 dB                 | 62 to 72 dB               |
| 10 ft                         | 71 to 81 dB                    | 61 to 71 dB                 | 51 to 61 dB               |

The ZA Series of 22mm alarms measures sound level at 2 feet. Since sound level drops over distance, the above chart lists the equivalent sound levels at various distances.

For example, if the Mallory part is in the **LOUD** sound level category, it has a sound level of 85 to 95 dB at 2 feet. At 10 cm, the sound level would measure 100 to 110 dB.

### Packaging:

- Standard orders are bulk packed.
- For individual box packaging, add one of the following part numbers to order:

| Part Number | Description               |
|-------------|---------------------------|
| BOX         | Individual box- no label  |
| BOXLABEL    | Individual box with label |

### Accessories:

| Part Number | Description               | Notes                     |
|-------------|---------------------------|---------------------------|
| ACC06       | Replacement NEMA Gasket   | Gasket comes with part    |
| BOX         | Individual box- no label  | Must be ordered with part |
| BOXLABEL    | Individual box with label | Must be ordered with part |
| KNT1-01     | Replacement Nut           | Nut comes with part       |