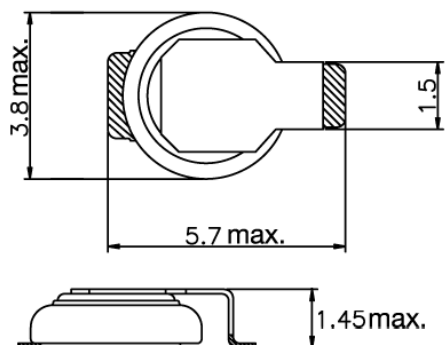


## Coin Type Polyacene Capacitors

## PAS311HR-VA6R



## ■ Features

- Item Summary  
3.3V, 10  $\mu$ Ah(Measured between 3.3V-2.0V), 0.03F, 130  $\Omega$
- Lifecycle Stage  
Mass Production
- Standard packaging quantity (minimum)  
Tape&Reel 4000pcs

## ■ Products characteristics table

Temperature Range	-20 to +60°C
Maximum Usable Voltage	3.3V
Nominal Capacity	10 $\mu$ Ah(Measured between 3.3V-2.0V) 0.03F
Internal Resistance	130 $\Omega$
Initial Capacitance	- More than 0.02F
Initial Internal Resistance	Less than 600 $\Omega$
RoHS Compliance	Yes
Halogen Free	Yes
Soldering Method	Reflow

2013.08.20

The data is reference only. Electrical characteristics vary depending on environment or measurement condition.  
 TAIYO YUDEN reserves the right to make change to the Date at any time without notice.  
 Before making final selection, please check product specification.