

ECN #	REV	DESCRIPTION	DRAWN	DATE	CHECKD	DATE	APPRVD	DATE
-	1.0	RELEASED	AB	25/03/15	ER	25/03/15	ER	25/03/15

Fig 1

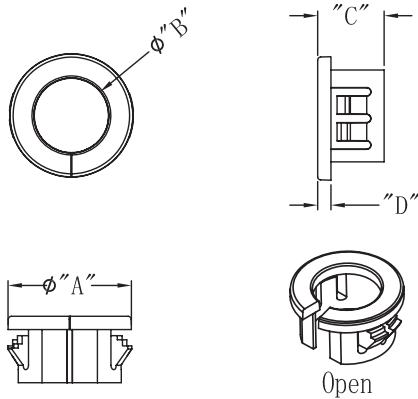
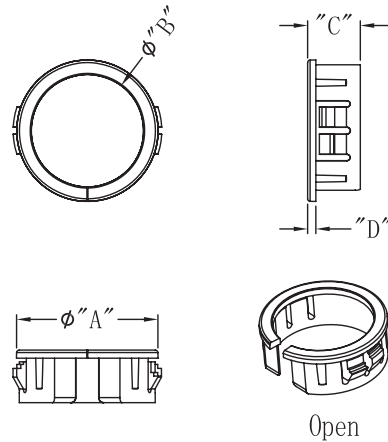


Fig 2



**RoHS
Compliant**

Specification:

Material : Nylon 66

Part Number Table

Description	Hole Diameter	Panel Thickness Range	"A"	Max Holding Bundle Dia "B"	"C"	"D"	Figure	Part Number
Bushing, Open, PK50	9.5mm	0.8mm to 3.2mm	10.7mm	6.7mm	9.9mm	1.3mm	1	DTRPGSB-1A
	11.1mm	0.8mm to 3.2mm	12.7mm	7.9mm	10.3mm	1.6mm		DTRPGSB-2A
	25.4mm	0.8mm to 3.2mm	26.6mm	20.6mm	10.3mm	1.6mm	2	DTRPGSB-4A
	27.8mm	0.8mm to 3.2mm	29.4mm	22.2mm	10.3mm	1.6mm		DTRPGSB-5A
	31.8mm	0.8mm to 3.2mm	34.1mm	26.6mm	10.3mm	1.6mm		DTRPGSB-6A
	34.9mm	0.8mm to 3.2mm	37.3mm	29.7mm	10.3mm	1.6mm		DTRPGSB-7A
	38.1mm	0.8mm to 3.2mm	40.1mm	31.7mm	10.7mm	1.6mm		DTRPGSB-8A
	9.5mm	0.7mm to 1.7mm	11.4mm	6.6mm	6.5mm	1.3mm		1
	13mm	0.8mm to 3.5mm	14.9mm	9mm	10.5mm	1.5mm	DTRPGSB-1013A	
	16mm	1.2mm to 3.5mm	18mm	10.5mm	10.5mm	1.6mm	DTRPGSB-1316A	
	19mm	1.2mm to 3.3mm	20.6mm	14.5mm	11mm	1.3mm	DTRPGSB-1519A	

www.element14.com
www.farnell.com
www.newark.com
www.cpc.co.uk
www.mcmelectronics.com

Important Notice : This data sheet and its contents (the "Information") belong to the members of the Premier Farnell group of companies (the "Group") or are licensed to it. No licence is granted for the use of it other than for information purposes in connection with the products to which it relates. No licence of any intellectual property rights is granted. The Information is subject to change without notice and replaces all data sheets previously supplied. The Information supplied is believed to be accurate but the Group assumes no responsibility for its accuracy or completeness, any error in or omission from it or for any use made of it. Users of this data sheet should check for themselves the Information and the suitability of the products for their purpose and not make any assumptions based on information included or omitted. Liability for loss or damage resulting from any reliance on the Information or use of it (including liability resulting from negligence or where the Group was aware of the possibility of such loss or damage arising) is excluded. This will not operate to limit or restrict the Group's liability for death or personal injury resulting from its negligence. DURATOOL is the registered trademark of the Group. © Premier Farnell plc 2012.

TOLERANCES:

UNLESS OTHERWISE SPECIFIED, DIMENSIONS ARE FOR REFERENCE PURPOSES ONLY.

DRAWN BY:

AB

DATE:

25/03/15

DRAWING TITLE:

Open Bushing

CHECKED BY:

ER

DATE:

25/03/15

APPROVED BY:

ER

DATE:

25/03/15

SIZE

A4

DWG NO.

DTRPGSB-1A-01

ELECTRONIC FILE

DTRPGSB-1A

REV

1.0

SCALE: NTS

U.O.M.: mm

SHEET: 1 of 1