

**PLEASE CHECK WWW.MOLEX.COM FOR LATEST PART INFORMATION**

**Part Number:** [505071-0101](#)  
**Status:** **Active**  
**Overview:** TermiMate™ One-Circuit Terminal-Style Connector System  
**Description:** TermiMate™ PCB Plug Terminal, 1.20mm Mated Height

**Documents:**

[Drawing \(PDF\)](#) [Application Specification AS-505071-001 \(PDF\)](#)  
[Product Specification PS-505071-001 \(PDF\)](#) [RoHS Certificate of Compliance \(PDF\)](#)

**General**

Product Family	PCB Headers
Series	505071
Application	Board-to-Board, Wire-to-Board
Comments	See Product Specification for maximum current rating by wire AWG
Overview	<a href="#">TermiMate™ One-Circuit Terminal-Style Connector System</a>
Product Name	TermiMate™
UPC	887191570792

**Physical**

Breakaway	No
Circuits (Loaded)	1
Circuits (maximum)	1
Durability (mating cycles max)	20
First Mate / Last Break	No
Glow-Wire Compliant	No
Guide to Mating Part	No
Keying to Mating Part	None
Lock to Mating Part	Yes
Mated Height	1.20mm
Material - Metal	Copper Alloy
Material - Plating Mating	Tin over Nickel
Net Weight	35.000/mg
Number of Rows	1
Orientation	Right Angle
PCB Locator	No
PCB Retention	None
Packaging Type	Embossed Tape on Reel
Pitch - Mating Interface	N/A
Plating min - Mating	0.991µm
Polarized to Mating Part	Yes
Polarized to PCB	No
Surface Mount Compatible (SMC)	Yes
Temperature Range - Operating	-55°C to +105°C
Termination Interface: Style	Surface Mount

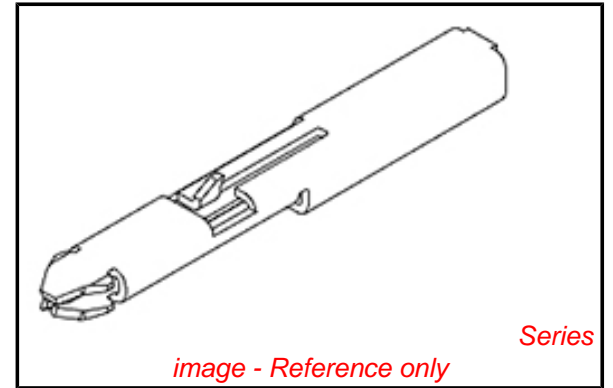
**Electrical**

Current - Maximum per Contact	3.0A
Voltage - Maximum	125V AC (RMS)/DC

**Material Info**

**Reference - Drawing Numbers**

Application Specification	AS-505071-001
Product Specification	PS-505071-001
Sales Drawing	SD-505071-001, SD-505071-002



*image - Reference only*

**EU RoHS**

**ELV and RoHS Compliant**  
**REACH SVHC Contains SVHC: No**  
**Low-Halogen Status Low-Halogen**

**China RoHS**



**Need more information on product environmental compliance?**

Email [productcompliance@molex.com](mailto:productcompliance@molex.com)  
 For a multiple part number RoHS Certificate of Compliance, [click here](#)

Please visit the [Contact Us](#) section for any non-product compliance questions.

**Search Parts in this Series**

505071Series

**Mates With**

TermiMate™ PCB Receptacle Terminal 505072-0101 <br>TermiMate™ Crimp Terminal Receptacle 505073-1100

This document was generated on 04/22/2015

**PLEASE CHECK [WWW.MOLEX.COM](http://WWW.MOLEX.COM) FOR LATEST PART INFORMATION**