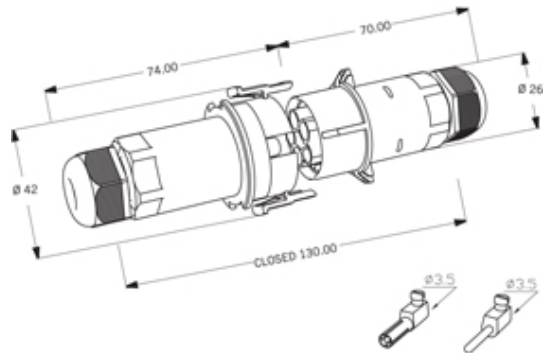


THK.404.X2A00

TeePlug Plug and socket, 5 poleScrew terminal 7mm to 14mm cable diameter, 4 mm max conductor size IP65 17.5A 400V 2 cable entry



SPECIFICATION

Cable Entries	2
Number of Poles	5
Terminal Type	Screw
Body Material	PA66
Max Conductor Size (Sq mm)	4
Max Current (A)	17.5
Max Voltage (V)	400
Minimum Temp Rating °C	-40
IP Rating	65
Max Temp Rating °C	125
Minimum Cable Diameter (mm)	7
Maximum Cable Diameter (mm)	14
Fixing System	Cable
Length (mm)	130
Temperature "T" Rating	T125

DISTRIBUTORS

