

## Modular power supplies PS Part number 88950304



- Switch mode power supply regulated and protected against overloads and short-circuits, easy to integrate into switchboards and enclosures
- The potentiometer can be used to set the output voltage between 100 and 120 % (24 VDC versions) to compensate for any voltage drops on the line
- The LED continuously signals the presence of voltage at the output and, when flashing, triggering of the self-protection
- Broad range of supply voltage
- Double insulation

### Part numbers

|          | Type | Nominal output voltage   | Nominal power | Nominal output current |
|----------|------|--------------------------|---------------|------------------------|
| 88950304 | PS   | 24 V DC (22,8 V →28,8 V) | 15 W          | 0,6 A                  |

### Specifications

#### Environmental characteristics

|                          |   |
|--------------------------|---|
| Conformity to standards  | IEC/EN 60950-1<br>IEC/EN 61000-6-2<br>IEC/EN 61000-6-3<br>IEC/EN 61204-3<br>IEC/EN 60364-4-41 SELV : Safety Extra Low Voltage<br>EN 55022 (CISPR22) |
| Certifications           | CE, UL, CSA, TÜV  |
| Emission                 | Harmonic : IEC / EN 61000-3-2   |
| Operating temperature    | -25 →+55 °C   |
| Storage temperature (°C) | -40 →+70 °C   |
| Protection class         | Class 2 (Double insulation)   |

#### Electrical characteristics

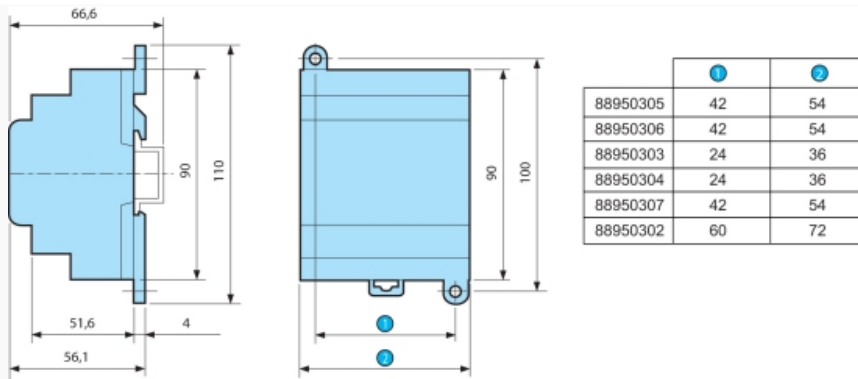
|                                |  |
|--------------------------------|--|
| Input voltage                  | 100 →240 V AC single-phase (-15 %/+10 %)   |
| Supply frequency range         | 50/60 Hz (+4 % / -6 %)<br>or 47→53 Hz/57 →63 Hz  |
| Output voltage                 | Adjustable from 100 →120 %   |
| Peak current on energisation   | < 20 A (Except for 88950302 : < 90A during 1 ms)   |
| Regulation of line and load    | ± 3 %  |
| Immunity from micro power cuts | < 10 ms (100 V AC)<br>< 150 ms (230 V AC)  |
| Thermal protection             | Yes  |
| Technology                     | Primary switch mode electronic power supplies  |
| Short-circuit protection       | Yes  |
| Overload protection            | Yes  |
| Primary protection             | Fuse gG 2 A or circuit breaker 2 A curve D for 88950303, 88950304, 88950305, 88950306, 88950307<br>Fuse gG 3 A or circuit breaker 3 A curve D for 88950302 |
| Reset after overload           | Automatic  |
| Dielectric strength            | Input / output 3000 VAC / 50 Hz / 1mn  |
| Status indication              | LED at the output  |

#### Mechanical characteristics

|                                     |   |
|-------------------------------------|---|
| Mounting                            | On section, 35 x 7, 5 mm and 35 x 15 mm or on panel (2 x Ø4 mm)   |
| Screw terminals connection capacity | Input connection 2 x 0,14 →2,5 mm <sup>2</sup> (AWG 26...AWG 14)<br>Output connection 1 x 0,14 →2,5 mm <sup>2</sup> (AWG 26...AWG 14) |

### Dimensions (mm)

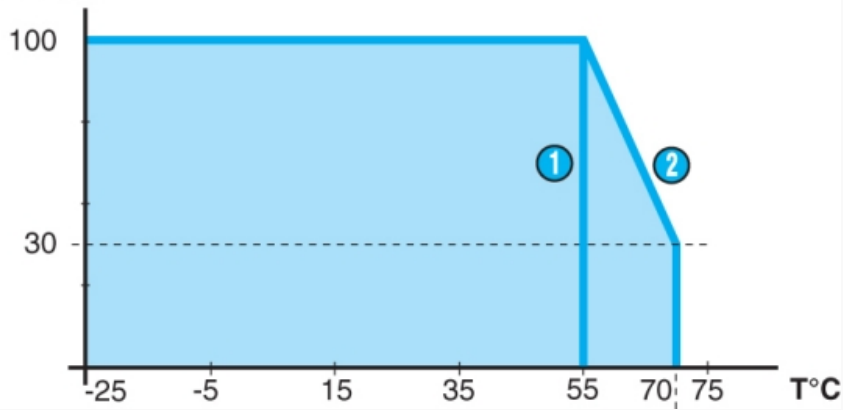
PS



**Curves**

**Derating**

**P/Pn (%)**



The ambient operating temperature of the Millenium power supplies is 55 °C. Above this, a derating is needed upto a maximum operating temperature of 70 °C. The chart below shows the power (compared to the nominal power) that can be permanently supplied by the power supply, depending on the operating temperature.

| N° | Legend   |
|----|----------|
| ①  | 88950302 |
| ②  | 8895030x |