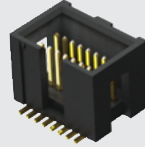
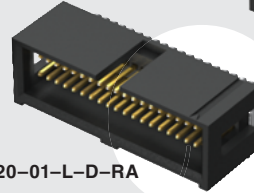


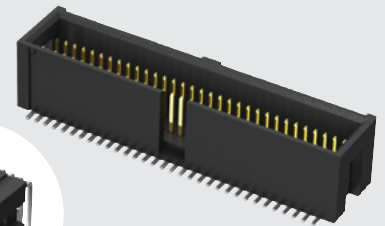
TML-108-02-G-D-SM



TML-120-01-L-D-RA



TML-132-02-L-D-SM



(1,27 mm) .050"

TML SERIES

SHROUDED MICRO HEADER

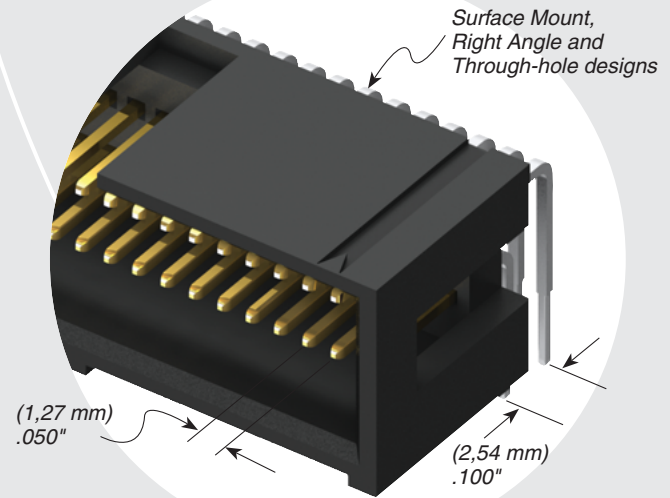
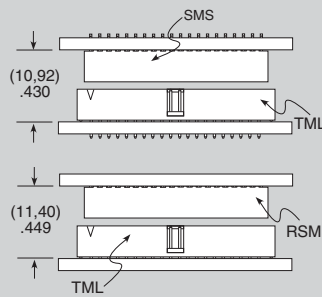
SPECIFICATIONS

For complete specifications and recommended PCB layouts see www.samtec.com?TML

- Insulator Material:** Black Liquid Crystal Polymer
- Insulation Resistance:** 5000 MΩ min
- Terminal Material:** Phosphor Bronze
- Plating:** Au or Sn over 50μ" (1,27 μm) Ni
- Operating Temp Range:** -55°C to +105°C with Tin; -55°C to +125°C with Gold
- RoHS Compliant:** Yes
- Processing:** Lead-Free Solderable: Yes
- SMT Lead Coplanarity:** (0,15 mm) .006" max

Mates with:
SMS, RSM

APPLICATIONS



RECOGNITIONS

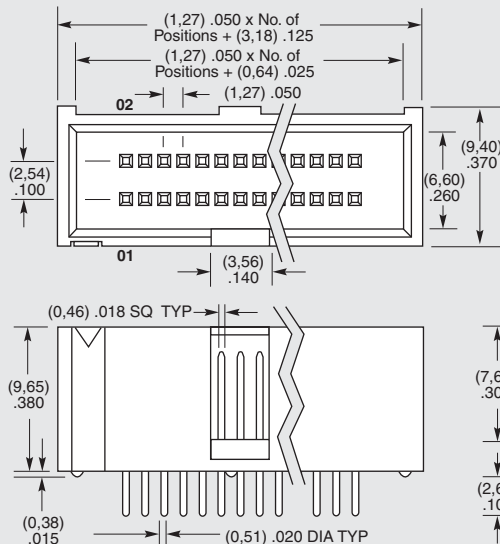
For complete scope of recognitions see www.samtec.com/quality



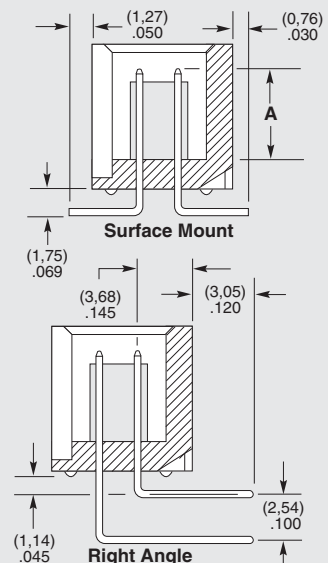
ALSO AVAILABLE (MOQ Required)

- Other sizes
- Other platings
- Contact Samtec.

TML	1	NO. PINS PER ROW	LEAD STYLE	PLATING OPTION	D	TAIL OPTION	OTHER OPTION
		05, 08, 10, 20, 32 (Standard sizes)	Specify LEAD STYLE from chart	<ul style="list-style-type: none"> -L = 10μ" (0,25 μm) Gold on post, Matte Tin on tail -G = 10μ" (0,25 μm) Gold on post, Gold flash on tail 		<ul style="list-style-type: none"> -RA = Right Angle -SM = Surface Mount (For locking clip add -LC) 	- "XXX" = Polarized position (Specify position of omitted pin)



LEAD STYLE	POST HEIGHT (A)
-01	(3,05) .120
-02	(5,84) .230
-03	(4,32) .170



Note: Some sizes, styles and options are non-standard, non-returnable.