

PLEASE CHECK WWW.MOLEX.COM FOR LATEST PART INFORMATION

Part Number: [43030-0011](#)
Status: **Active**
Overview: Micro-Fit 3.0™ Connectors
Description: Micro-Fit 3.0™ Crimp Terminal, Female, with Select Gold (Au) Plated Phosphor Bronze Contact, 26-30 AWG, Bag

Documents:

3D Model	Test Summary TS-43045-002 (PDF)
Drawing (PDF)	RoHS Certificate of Compliance (PDF)
Product Specification PS-43045 (PDF)	Product Literature (PDF)

General

Product Family	Crimp Terminals
Series	43030
Application	Power
Crimp Quality Equipment	Yes
Overview	Micro-Fit 3.0™ Connectors
Packaging Alternative	43030-0005 (Reel)
Product Literature Order No	987650-5984
Product Name	Micro-Fit 3.0™
UPC	800754369350

Physical

Gender	Female
Material - Metal	Phosphor Bronze
Material - Plating Mating	Gold
Material - Plating Termination	Tin
Net Weight	0.057/g
Packaging Type	Bag
Plating min - Mating	0.381µm
Plating min - Termination	2.540µm
Termination Interface: Style	Crimp or Compression
Wire Insulation Diameter	1.27mm max.
Wire Size AWG	26, 28, 30
Wire Size mm²	N/A

Electrical

Current - Maximum per Contact	5.0A
-------------------------------	------

Material Info

Reference - Drawing Numbers

Product Specification	PS-43045, RPS-43045-003, RPS-43045-004
Sales Drawing	SD-43030-****
Test Summary	TS-43045-002

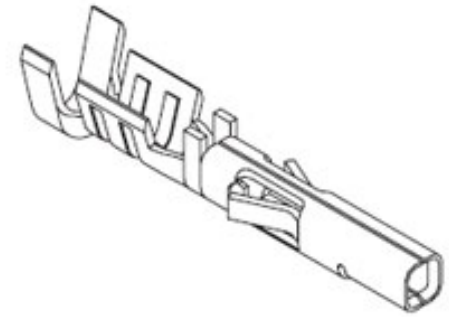


image - Reference only

Series

EU RoHS

**ELV and RoHS
Compliant**

REACH SVHC

**Contains SVHC: No
Low-Halogen Status
Low-Halogen**

China RoHS



**Need more information on product
environmental compliance?**

Email productcompliance@molex.com
 For a multiple part number RoHS Certificate of Compliance, [click here](#)

Please visit the [Contact Us](#) section for any non-product compliance questions.

Search Parts in this Series

[43030Series](#)

Mates With

[43031 Micro-Fit 3.0™ Male Crimp Terminals](#)

Use With

[43025](#) , [43645](#) Micro-Fit 3.0™ Receptacle Housings, [44133](#) Micro-Fit BMI™ Panel Mount Receptacle Housings

Application Tooling | FAQ

Tooling specifications and manuals are found by selecting the products below. Crimp Height Specifications are then contained in the Application Tooling Specification document.

Global

Description	Product #
Extraction Tool	0011030043
Insertion Tool for Crimp Terminal	0638120800
Hand Crimp Tool	0638190000

This document was generated on 04/17/2015

PLEASE CHECK WWW.MOLEX.COM FOR LATEST PART INFORMATION