

**Product number FA11452_LN2-M2**

Family	Leila	FWHM	(simulated) 30
Type	Assembly	Efficiency	-
LED	MX-6	cd/lm	(simulated) 0.000
Color	Black	Gerber File	Available
Diameter	21.6 mm		
Height	13.3 mm		
Style	Round		
Optic Material	PMMA		
Holder Material	PC		
Fastening	Tape		
Status	On production		

**Product number FA10696_LN2-RS**

Family	Leila	FWHM	14 degrees
Type	Assembly	Efficiency	94 %
LED	MX-6	cd/lm	-
Color	Black	Gerber File	Available
Diameter	21.6 mm		
Height	13.3 mm		
Style	Round		
Optic Material	PMMA		
Holder Material	PC		
Fastening	Tape		
Status	On production		

**Product number FA10695_LN2-D**

Family	Leila	FWHM	18 degrees
Type	Assembly	Efficiency	92 %
LED	MX-6	cd/lm	-
Color	Black	Gerber File	Available
Diameter	21.6 mm		
Height	13.3 mm		
Style	Round		
Optic Material	PMMA		
Holder Material	PC		
Fastening	Tape		
Status	On production		

**Product number FA10697_LN2-M**

Family	Leila	FWHM	26 degrees
Type	Assembly	Efficiency	90 %
LED	MX-6	cd/lm	-
Color	Black	Gerber File	Available
Diameter	21.6 mm		
Height	13.3 mm		
Style	Round		
Optic Material	PMMA		
Holder Material	PC		
Fastening	Tape		
Status	On production		

**Product number FA10698_LN2-REC**

Family	Leila	FWHM	37+26 degrees
Type	Assembly	Efficiency	84 %
LED	MX-6	cd/lm	-
Color	Black	Gerber File	Available
Diameter	21.6 mm		
Height	13.3 mm		
Style	Round		
Optic Material	PMMA		
Holder Material	PC		
Fastening	Tape		
Status	On production		

Product number FA11108_LN2-O-90

Family	Leila	FWHM	40+19 degrees
Type	Assembly	Efficiency	91 %
LED	MX-6	cd/lm	-
Color	Black	Gerber File	Available
Diameter	21.6 mm		
Height	13.3 mm		
Style	Round		
Optic Material	PMMA		
Holder Material	PC		
Fastening	Tape		
Status	On production		

NOTE: The typical divergence will be changed by different color, chip size and chip position tolerance. The typical total divergence is the full angle measured where the luminous intensity is half of the peak value.



PRODUCT DATASHEET

Leila series

last update 22/5/2012

GENERAL INFORMATION

- Product series especially designed & optimized for MX-6 series of LEDs.
- Special care taken to make light distribution as uniform as possible.
- Lens material optical grade PMMA with high UV and temperature resistance. Allows use of high current and temperature conditions.

Please find more information about used material from below:

http://ledil.fi/sites/default/files/Documents/Technical/Material/PMMA%20N%20UL94_Yellow%20Card.pdf

<http://ledil.fi/sites/default/files/Documents/Technical/Material/PMMA%20N%20PLEXIGLAS-Datasheet.pdf>

- Optic holder molded by high quality PC material (120 degrees of Celcius / 248 degrees of Fahrenheit).

- Fastening to heat sink with a PU foam adhesive tape of automotive grade. Please find fastening details by clicking link: http://www.ledil.com/datasheets/DataSheet_TAPE.pdf

NOTE 1: We advise customer to ensure the suitability and sufficiency of the bond in the end product. For example, mechanical stress, vibration and holes on the surface of the circuit board weaken the strength of the tape.

NOTE 2: Assembly to the surface must be made straight, so the tape bonds constant and balanced with fastening surface. Slanted assembly might cause unbalanced bond to the surface. All surfaces where tape is applied must be clean, dry and free from grease and dirt.

If cleaning of PCB surfaces is needed, please follow strictly the cleaning instructions of your LED manufacturer - this is important as cleaning shall under no circumstances damage LEDs or other electronics components on the PCB.

Further note that optical components shall not be cleaned with any chemicals - only micro fiber cloth may be used to remove fingerprints or other traces from handling.

D

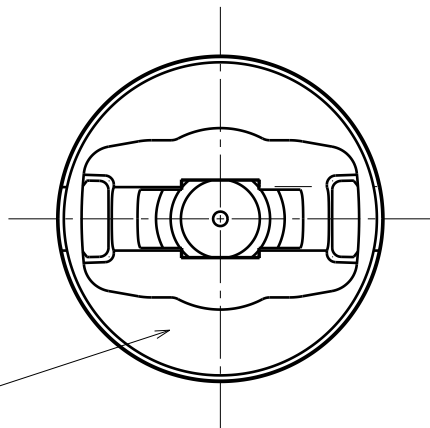
C

B

A

4

4

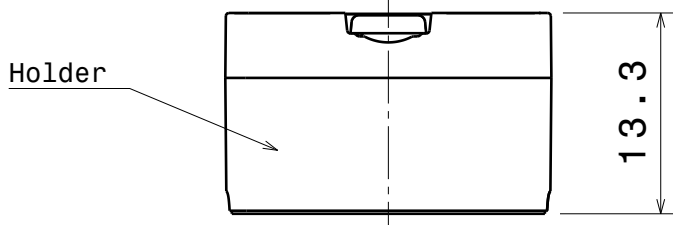


Bottom view

Tape

3

3



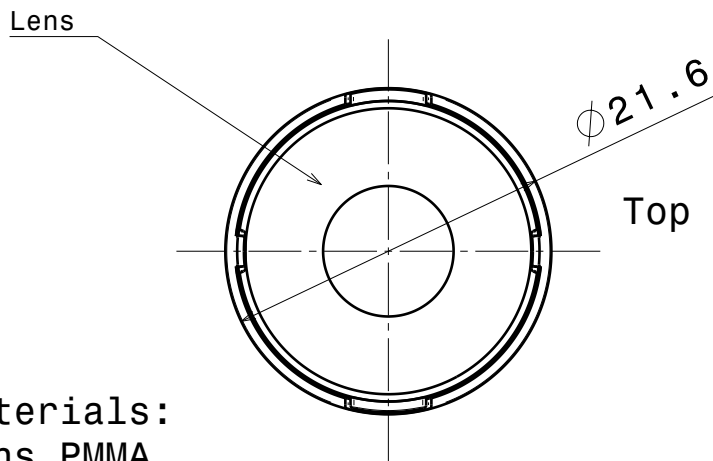
Holder

13.3

Side view

2

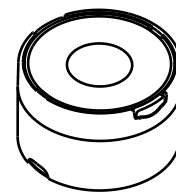
2



Lens

21.6

Top view



Materials:
 lens PMMA
 holder PC

This drawing is our property.
 It can't be reproduced
 or communicated without
 our written agreement.



L
T
F
F

e
e
i
i
N
n

d
h

DRAWING TITLE

Datasheet LN2-series Assy

DRAWN BY

DATE

P

V

03.09.2008

CHECKED BY

DATE

h

h

02.09.2008

DESIGNED BY

DATE

pv

28.08.2008

SIZE

DRAWING NUMBER

REV

A4

0.1

SCALE

2:1

WEIGHT (g)

SHEET

1/1

D

A

1

1