

**Product number FP11085_LISA2-RS-CLIP**

Family	Lisa2	FWHM	26 degrees
Type	Assembly	Efficiency	90 %
LED	XP-G	cd/lm	-
Color	Black	Gerber File	Available
Diameter	9.9 mm		
Height	6.8 mm		
Style	Round		
Optic Material	PMMA		
Holder Material	PC		
Fastening	Clips, glue		
Status	On production		

Product number FP11075_LISA2-M-CLIP

Family	Lisa2	FWHM	34 degrees
Type	Assembly	Efficiency	92 %
LED	XP-G	cd/lm	-
Color	Black	Gerber File	Available
Diameter	9.9 mm		
Height	6.8 mm		
Style	Round		
Optic Material	PMMA		
Holder Material	PC		
Fastening	Clips, glue		
Status	On production		

Product number FP11121_LISA2-O-CLIP

Family	Lisa2	FWHM	46+24 degrees
Type	Assembly	Efficiency	86 %
LED	XP-G	cd/lm	(simulated) 0.000
Color	Black	Gerber File	Available
Diameter	9.9 mm		
Height	6.8 mm		
Style	Round		
Optic Material	PMMA		
Holder Material	PC		
Fastening	Clips, glue		
Status	On production		

Product number FP11076_LISA2-W-CLIP

Family	Lisa2	FWHM	48 degrees
Type	Assembly	Efficiency	93 %
LED	XP-G	cd/lm	-
Color	Black	Gerber File	Available
Diameter	9.9 mm		
Height	6.8 mm		
Style	Round		
Optic Material	PMMA		
Holder Material	PC		
Fastening	Clips, glue		
Status	On production		

**Product number FP11856_LISA2-O-90-CLIP**

Family	Lisa2	FWHM	48+18 degrees
Type	Assembly	Efficiency	86 %
LED	XP-G	cd/lm	-
Color	Black	Gerber File	Available
Diameter	9.9 mm		
Height	6.8 mm		
Style	Round		
Optic Material	PMMA		
Holder Material	PC		
Fastening	Clips, glue		
Status	On production		

Product number FP11077_LISA2-WW-CLIP

Family	Lisa2	FWHM	54 degrees
Type	Assembly	Efficiency	90 %
LED	XP-G	cd/lm	0.900
Color	Black	Gerber File	Available
Diameter	9.9 mm		
Height	7 mm		
Style	Round		
Optic Material	PMMA		
Holder Material	PC		
Fastening	Clips, glue		
Status	On production		

Product number FP11431_LISA2-WWW-CLIP

Family	Lisa2	FWHM	86 degrees
Type	Assembly	Efficiency	72 %
LED	XP-G	cd/lm	(simulated) 0.000
Color	Black	Gerber File	Available
Diameter	9.9 mm		
Height	7 mm		
Style	Round		
Optic Material	PMMA		
Holder Material	PC		
Fastening	Clips, glue		
Status	On production		

NOTE: The typical divergence will be changed by different color, chip size and chip position tolerance. The typical total divergence is the full angle measured where the luminous intensity is half of the peak value.



PRODUCT DATASHEET

Lisa2 series

last update 18/8/2014

GENERAL INFORMATION

- Product series especially designed & optimized for XP-G series of LEDs.
- Special care taken to make light distribution as uniform as possible.
- Lens material optical grade PMMA with high UV and temperature resistance. Allows use of high current and temperature conditions.

Please find more information about used material from below:

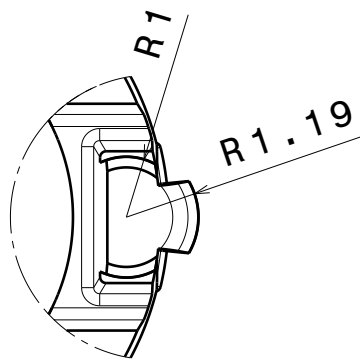
http://ledil.fi/sites/default/files/Documents/Technical/Material/PMMA%20N%20UL94_Yellow%20Card.pdf

<http://ledil.fi/sites/default/files/Documents/Technical/Material/PMMA%20N%20PLEXIGLAS-Datasheet.pdf>

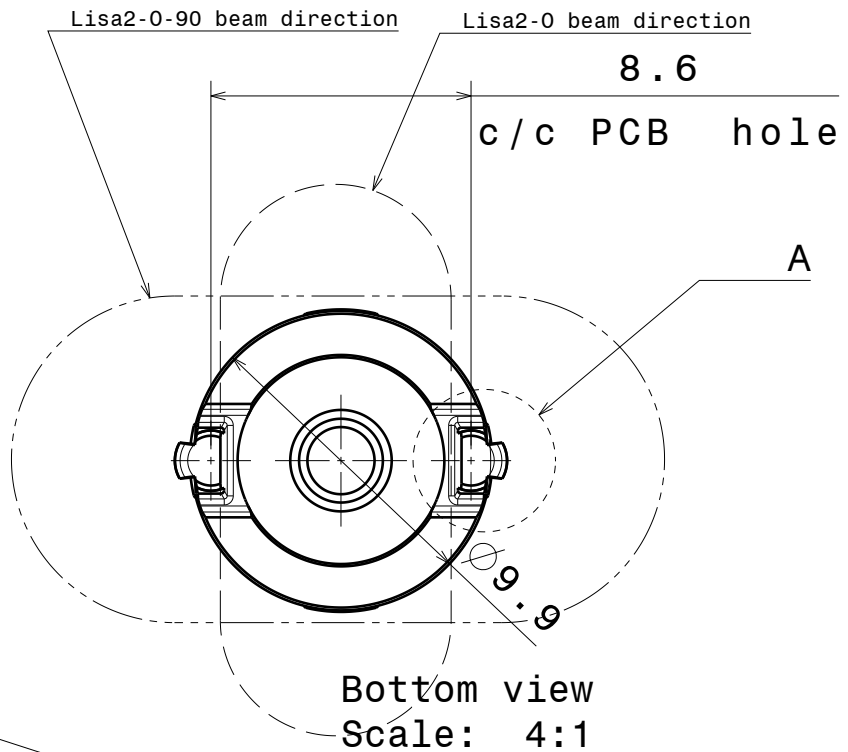
- Optic holder molded by high quality PC material (120 degrees of Celcius / 248 degrees of Fahrenheit).

D C B A

4



Detail A
Scale: 8:1



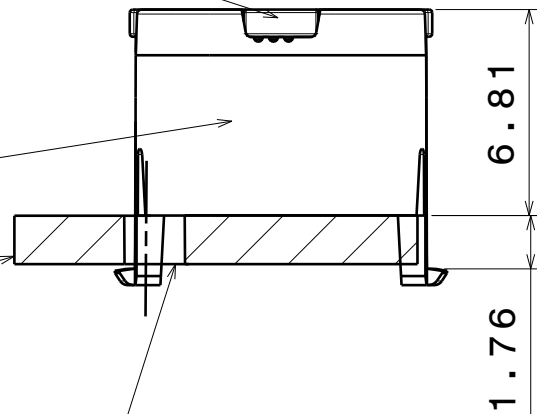
Bottom view
Scale: 4:1

Lens

Holder

Reference PCB

3



Front view
Scale: 4:1

2

Materials:
Lens PMMA
Holder PC

Note:
Take tolerances
into account
when specifying
positioning
holes for PCB

1

This drawing is our property.
It can't be reproduced
or communicated without
our written agreement.



Ledil Oy
Tehdaskatu 13
FIN-24100 SALO
Finland

DRAWING TITLE

Datasheet Lisa2-clip16-XP series Assy

DRAWN BY
ch

DATE
20.7.2011

CHECKED BY
sn

DATE
20.7.2011

SIZE
A4

DRAWING NUMBER

REV
2

DESIGNED BY
hh

DATE
19.10.2009

SCALE

4:1

WEIGHT (g)

SHEET

1/1

D

A