

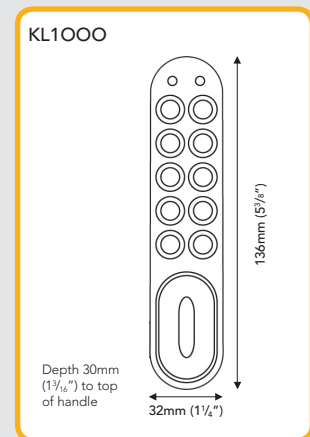


KitLock 1000 are a quick retrofit for keyed cam locks supplied as standard on a wide range of lockers, cabinets and cupboards. The keyless locks are easy to fit, taking just a few minutes to remove the existing cam lock and then making an additional top fixing for the new lock.

Technical Specifications

- Power:** 2 x 1.5 AAA Batteries
- Operations:** 15,000 openings
- Low Battery:** When lock signals "Low Battery" there will be 100 additional openings
- Memory:** Non-Volatile memory will be retained when changing batteries
- Battery Override:** A 9volt battery can be placed against external contacts
- Material:** Zinc Alloy
- Door thickness:** 1/16" (1.5mm) up to 1" (25mm)
 KL1004 V up to 5mm (3/16")
 KL1005 V up to 16mm (5/8")
 KL1006 V up to 19mm (3/4")
 KL1007 V up to 25mm (1")
- Buttons:** 11 individual round buttons
- Functions:** Private or Public
 IP55 rated with optional gasket
- Fitting:** Easy fit
- Fitting Options:** Vertical, right and left hand models
- Finish:** Silver grey and black (colour options available)
- Codes:** KitLock has 4 code levels;
 Master code, Sub-Master Code, User Code and Technician Code

External Dimensions:



Codes:

The lock is supplied with two factory preset codes.

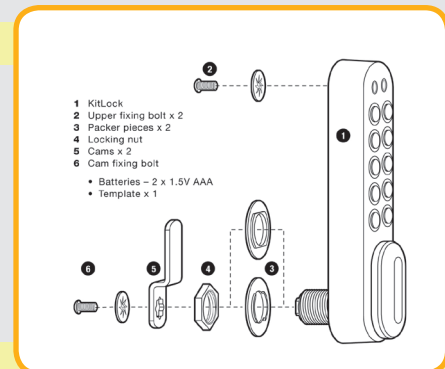
Master Code: 11 33 55 77

User Code: 22 44

Change both codes after lock has been installed.

All Master Codes 8 digits long

All User Codes are 4 digits long



Functions:

Private Use:

This is the default function and is already pre-programmed in new locks. This is the most common function and is used where the same code will be repeatedly used.

Public Use:

The user enters their own personal four-digit code once. This locks the lock. The same code is entered once only to open the lock before being erased and ready for the next new user.

This function is used for short term, multi occupancy applications, e.g. a locker in a leisure centre.