

ARCA

New
LARGER
sizes
available



NEMA
4X

-40 F

175 F



ARCA-The 21st Century Solution

Fibox's ARCA non-metallic enclosures provide users of classic electrical junction boxes an easy upgrade path to a high performance enclosure featuring the latest technologies. Precision injection molded, ARCA enclosures feature excellent chemical resistance and the wide temperature utilization range of polycarbonate plastic. Available in classic JIC sizes, these enclosures feature industry standard dimensions and panels.

ARCA enclosures advance beyond tradition to meet and exceed the growing demands of today's applications. ARCA's rugged construction achieves a unique appearance without sacrificing robustness. The stylized cover features an overlapping design proving superior protection of the formed-in-place PUR gasket.

ARCA enclosures are available with a variety of cover and mounting options including transparent and opaque covers, screw and hinged covers, fixed and hinged inner panels in both metal and non-metallic versions. Our latest size additions (24x20x8 and 24x24x10) include both JIC and NEMA panel options, flat covers and pre scored knock outs.

With custom cut outs, colors, and all the standard hardware you need, Fibox can easily customize your ARCA enclosure for your application.



Screw Cover	Hinged Screw Cover	Hinged with Latch	Enclosure Size A x B x C	Panel Catalog Number	Panel Size h x w	Enclosure Mounting F x G	Exterior Overall H x W x D
AR664SC	AR664CHSC	AR664CHSSL	6.0 x 6.0 x 4.0	ABP66	4.9 x 4.9	6.7 x 4.0	7.6 x 7.4 x 4.7
AR664SCT	AR664CHSCT	AR664CHSSLT	(152 x 152 x 102)		(124 x 124)	(170 x 102)	(192 x 188 x 120)
AR865SC	AR865CHSC	AR865CHSSL	8.0 x 6.0 x 5.0	ABP86	6.7 x 4.9	8.7 x 4.0	9.5 x 7.4 x 5.7
AR865SCT	AR865CHSCT	AR865CHSSLT	(203 x 152 x 127)		(171 x 124)	(220 x 102)	(242 x 189 x 145)
AR884SC	AR884CHSC	AR884CHSSL	8.0 x 8.0 x 4.3	ABP88	6.9 x 6.9	8.4 x 6.0	9.5 x 9.3 x 4.9
AR884SCT	AR884CHSCT	AR884CHSSLT	(203 x 203 x 108)		(175 x 175)	(213 x 152)	(241 x 236 x 125)
AR1084SC	AR1084CHSC	AR1084CHSSL	10.0 x 8.0 x 4.3	ABP 88	8.9 x 6.9	10.4 x 6.0	11.5 x 9.3 x 4.9
AR1084SCT	AR1084CHSCT	AR1084CHSSLT	(254 x 203 x 108)		(225 x 175)	(264 x 152)	(292 x 236 x 125)
AR1086SC	AR1086CHSC	AR1086CHSSL	10.0 x 8.0 x 6.0	ABP108	8.9 x 6.9	10.7 x 6.0	11.5 x 9.3 x 6.7
AR1086SCT	AR1086CHSCT	AR1086CHSSLT	(254 x 203 x 152)		(225 x 175)	(271 x 152)	(291 x 237 x 171)
AR10106SC	AR10106CHSC	AR10106CHSSL	10.0 x 10.0 x 6.3	ABP 1010	8.9 x 8.9	10.4 x 8.8	11.4 x 11.4 x 7.0
AR10106SCT	AR10106CHSCT	AR10106CHSSLT	(254 x 254 x 159)		(225 x 225)	(264 x 223)	(290 x 290 x 177)
AR12106SC	AR12106CHSC	AR12106CHSSL	12.0 x 10.0 x 6.0	ABP 1210	10.8 x 8.9	12.7 x 8.0	13.5 x 11.4 x 6.7
AR12106SCT	AR12106CHSCT	AR12106CHSSLT	(305 x 254 x 152)		(275 x 225)	(322 x 203)	(342 x 289 x 171)
AR14127SC	AR14127CHSC	AR14127CHSSL	14.0 x 12.0 x 7.0	ABP 1412	12.8 x 10.8	14.8 x 10.0	15.5 x 13.3 x 7.7
AR14127SCT	AR14127CHSCT	AR14127CHSSLT	(356 x 305 x 178)		(324 x 275)	(375 x 254)	(393 x 339 x 196)
AR16148SC	AR16148CHSC	AR16148CHSSL	16.0 x 14.0 x 8.0	ABP 1614	14.8 x 12.9	16.7 x 12.0	17.8 x 15.5 x 8.7
AR16148SCT	AR16148CHSCT	AR16148CHSSLT	(406 x 356 x 203)		(376 x 328)	(424 x 305)	(452 x 394 x 221)
AR181610SC	AR181610CHSC	AR181610CHSSL	18.0 x 16.0 x 10.0	ABP 1816	16.7 x 14.9	18.7 x 14.0	19.8 x 17.5 x 10.7
AR181610SCT	AR181610CHSCT	AR181610CHSSLT	(457 x 406 x 254)		(424 x 378)	(475 x 356)	(503 x 444 x 272)



Catalog Number	Enclosure Size A x B x C	Cover and Hinge Options
AR20168CHSS	20 x 16 x 8 (508 x 406 x 203)	Hinged Opaque Cover w/S.S. Quick Release Latch
AR20168CHSSL	20 x 16 x 8 (508 x 406 x 203)	Hinged Opaque Cover w/S.S. Lockable Latch
AR20168CHTSS	20 x 16 x 8 (508 x 406 x 203)	Hinged Opaque Cover w/S.S. Lockable Twist Latch
AR24208CHSS	24 x 20 x 8 (609 x 508 x 203)	Hinged Opaque Cover w/S.S. Quick Release Latch
AR24208CHSSL	24 x 20 x 8 (609 x 508 x 203)	Hinged Opaque Cover w/S.S. Lockable Latch
AR24208CHTSS	24 x 20 x 8 (609 x 508 x 203)	Hinged Opaque Cover w/S.S. Lockable Twist Latch
AR242410CHSS	24 x 24 x 10 (609 x 609 x 254)	Hinged Opaque Cover w/S.S. Quick Release Latch
AR242410CHSSL	24 x 24 x 10 (609 x 609 x 254)	Hinged Opaque Cover w/S.S. Lockable Latch
AR242410CHTSS	24 x 24 x 10 (609 x 609 x 254)	Hinged Opaque Cover w/S.S. Lockable Twist Latch

Overlapping cover for strength and increased gasket protection

Cover features raised lid construction

Opaque or transparent covers

Oversized, formed in place seamless PUR gasket

Easily removable stainless steel hinge pin

Optional hinged panels, or mount fixed front plates without additional components

Standard mounting plates available in optional materials

NEMA panel inserts
(Available 24 x 20 & 24 x 24)

Molded continuous hinge features a compact profile, adding strength and rigidity

Wall fastening lugs included; optional mounting flanges

Stylized corners add rigidity and strength

Interchangeable metal or non-metallic latches without penetrating the enclosure

Glass filled polycarbonate in both cover and base

Top level mounting point creates easier, stronger accessory mounting

Industry standard 10-32 brass inserts

PC:

UL Type 4, 4X, 6, 6P, 12 and 13

IP 66

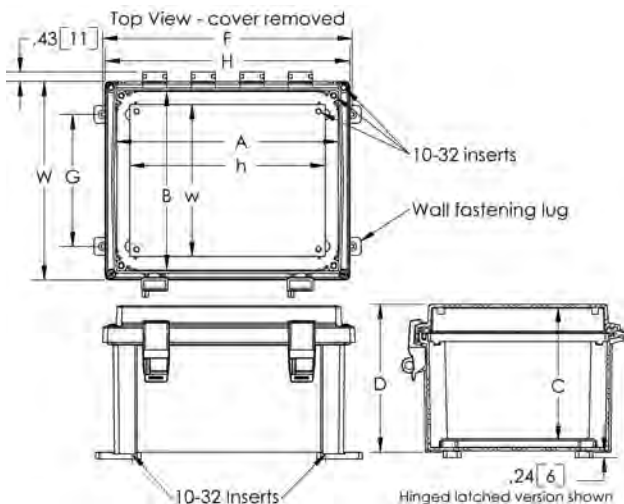
IK 08

UV-protected

Dimensions inch

Polycarbonate				
6 x 6 x 4	8 x 8 x 4	10 x 8 x 6	12 x 10 x 6	16 x 14 x 8
8 x 6 x 5	10 x 8 x 4	10 x 10 x 6	14 x 12 x 7	18 x 16 x 10
20 x 16 x 8	24 x 20 x 8	24 x 24 x 10		

Drawings



Technical information

Property

Environmental ingress	UL Type 4, 4X, 6, 6P, 12 and 13
Impact resistance	Impact rating per UL 508 / UL 50
NRTL Listing	Underwriters Laboratories UL, cUL Listed under UL 508
Temperature Range: °Celsius	-40°...+140°C
Short term °Fahrenheit	-40°...+284°F
Temperature Range: °Celsius	-40°...+80°C
Long term °Fahrenheit	-40°...+175°F
Electrical insulation	Totally insulated
Color	RAL 7035 - Light gray
Cover screws and hardware	10-32, stainless steel
Accessory mounting screws	10-32, stainless steel
Gasket	Formed in place polyurethane (PUR)
Flammability rating	Enclosure flammability rating per UL 508
Toxicity	Non-Toxic, halogen free, RoHS compliant

Data subject to change without notice.

Customization

All Fibox ARCA enclosures can be customized to meet your requirements. Sophisticated CNC machinery can fabricate enclosures with holes, cutouts, recesses, and more. With custom colors available and all the standard hardware accessories you might need Fibox can easily customize your enclosure and make it unique to your application.

When a custom enclosure is required, you can count on the expertise of Fibox to design and produce the highest quality product to protect your investment.



Wide selection of plastic and membrane glands



Inspection windows



Ventilation devices



Fibox accessories can be fitted to most enclosures and cabinets

