

**Product number C10891\_GT3-S**

Family	Gt3	FWHM	14 degrees
Type	Lens array	Efficiency	92 %
LED	XB-D	cd/lm	4.300
Color	Clear	Gerber File	Available
Diameter	35 mm		
Height	9 mm	MR11 applications	
Style	Round		
Optic Material	PMMA		
Holder Material	-		
Fastening	Pin, glue		
Status	On production		

**Product number C10892\_GT3-M**

Family	Gt3	FWHM	25 degrees
Type	Lens array	Efficiency	91 %
LED	XB-D	cd/lm	2.000
Color	Clear	Gerber File	Available
Diameter	35 mm		
Height	9 mm	MR11 applications	
Style	Round		
Optic Material	PMMA		
Holder Material	-		
Fastening	Pin, glue		
Status	On production		

**Product number C10893\_GT3-W**

Family	Gt3	FWHM	32 degrees
Type	Lens array	Efficiency	92 %
LED	XB-D	cd/lm	1.800
Color	Clear	Gerber File	Available
Diameter	35 mm		
Height	9 mm	MR11 applications	
Style	Round		
Optic Material	PMMA		
Holder Material	-		
Fastening	Pin, glue		
Status	On production		

**Product number C11624\_GT3-WW**

Family	Gt3	FWHM	38 degrees
Type	Lens array	Efficiency	92 %
LED	XB-D	cd/lm	1.400
Color	Clear	Gerber File	Available
Diameter	35 mm		
Height	9 mm	MR11 compatible design	
Style	Round		
Optic Material	PMMA		
Holder Material	-		
Fastening	Pin, glue		
Status	On production		



## PRODUCT DATASHEET

### Gt3 series

last update 10/11/2014

**NOTE: The typical divergence will be changed by different color, chip size and chip position tolerance. The typical total divergence is the full angle measured where the luminous intensity is half of the peak value.**



## PRODUCT DATASHEET

### Gt3 series

last update 10/11/2014

#### GENERAL INFORMATION

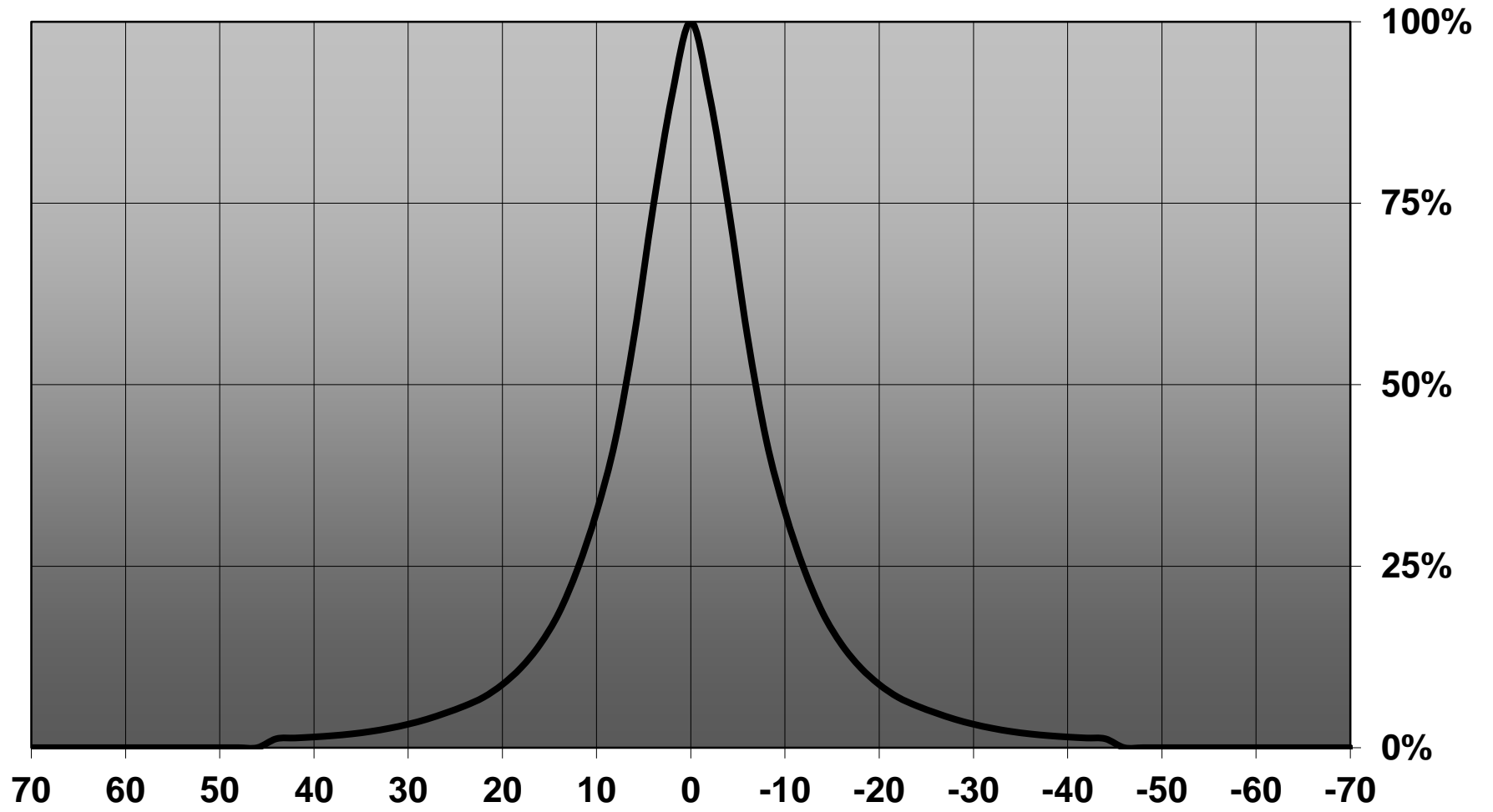
- Product series especially designed & optimized for XB-D series of LEDs.
- Special care taken to make light distribution as uniform as possible.
- Lens material optical grade PMMA with high UV and temperature resistance. Allows use of high current and temperature conditions.

Please find more information about used material from below:

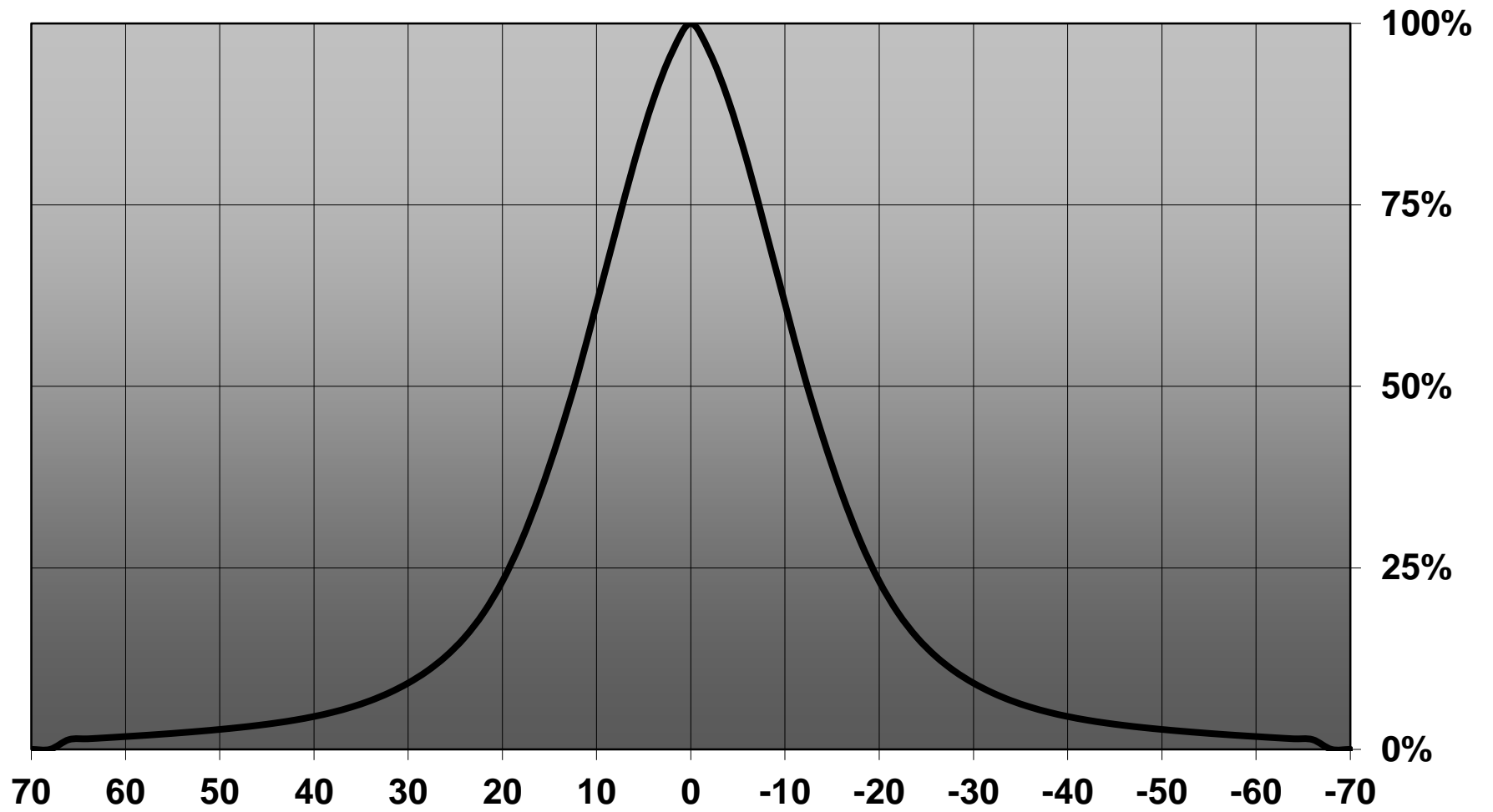
[http://ledil.fi/sites/default/files/Documents/Technical/Material/PMMA%20N%20UL94\\_Yellow%20Card.pdf](http://ledil.fi/sites/default/files/Documents/Technical/Material/PMMA%20N%20UL94_Yellow%20Card.pdf)

<http://ledil.fi/sites/default/files/Documents/Technical/Material/PMMA%20N%20PLEXIGLAS-Datasheet.pdf>

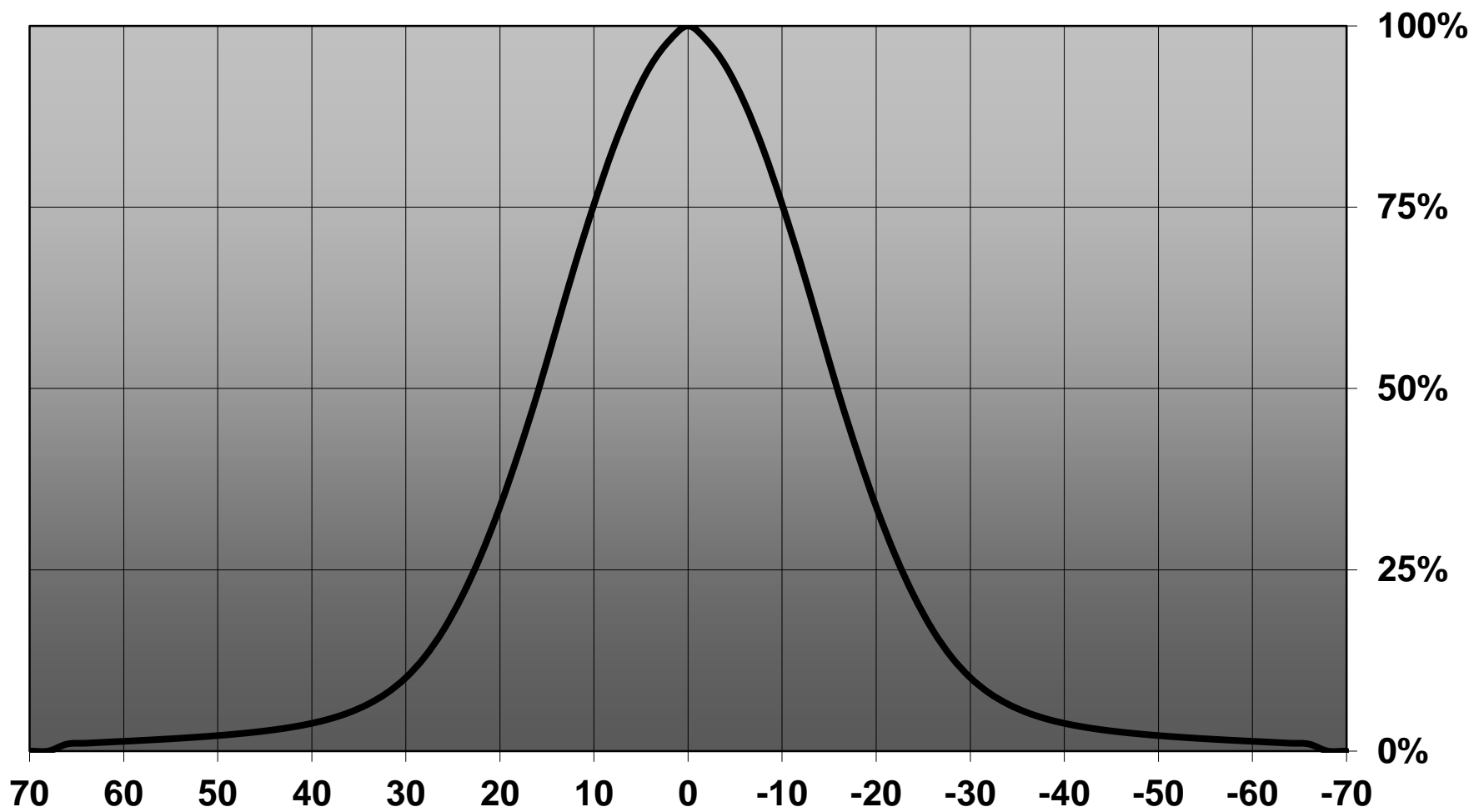
# Relative intensity of



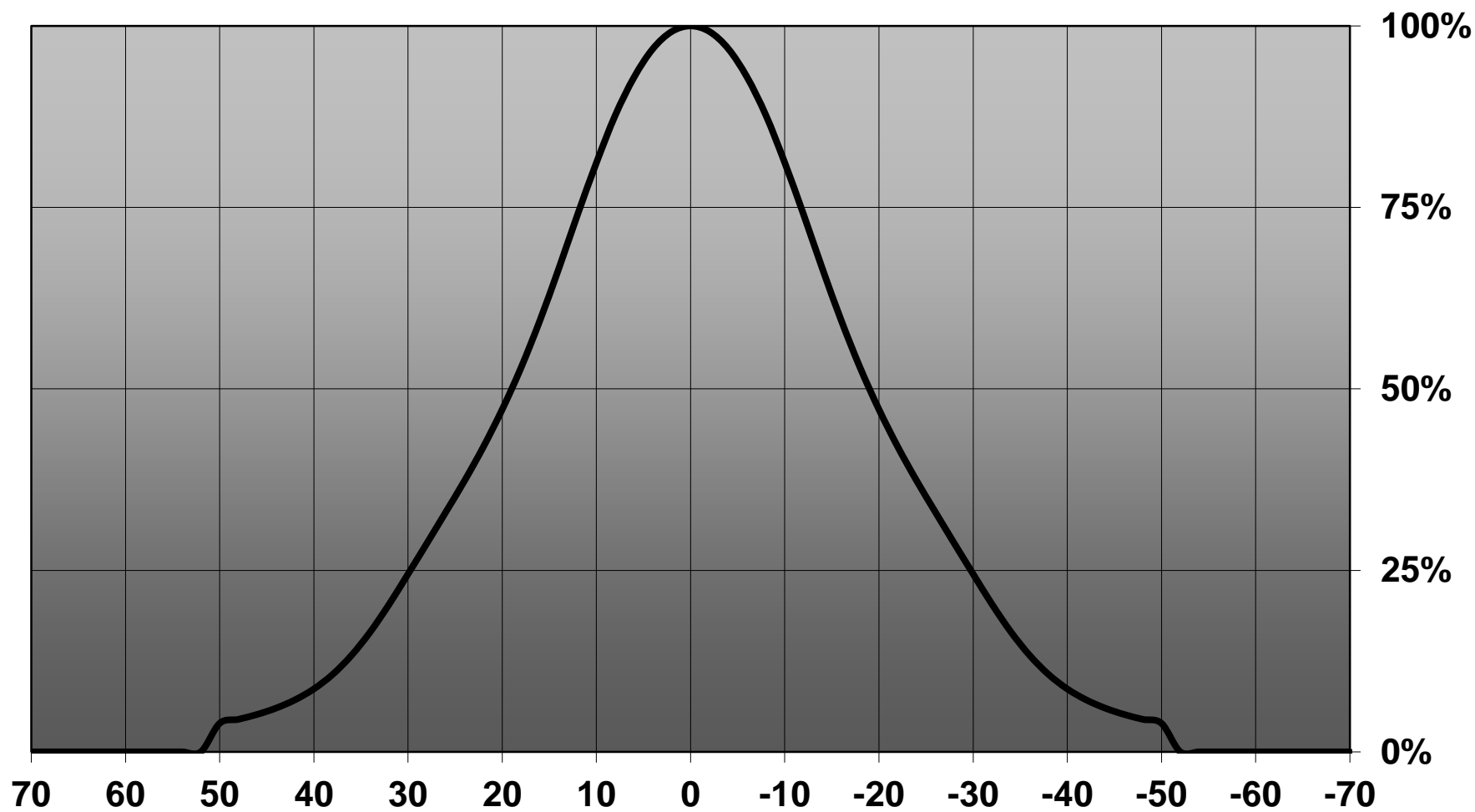
Relative intensity of C10892\_GT3-M-XBD

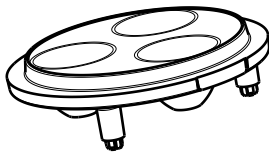


Relative intensity of C10893\_GT3-W-XBD



### Relative intensity of C11624-GT3-WW-XBD



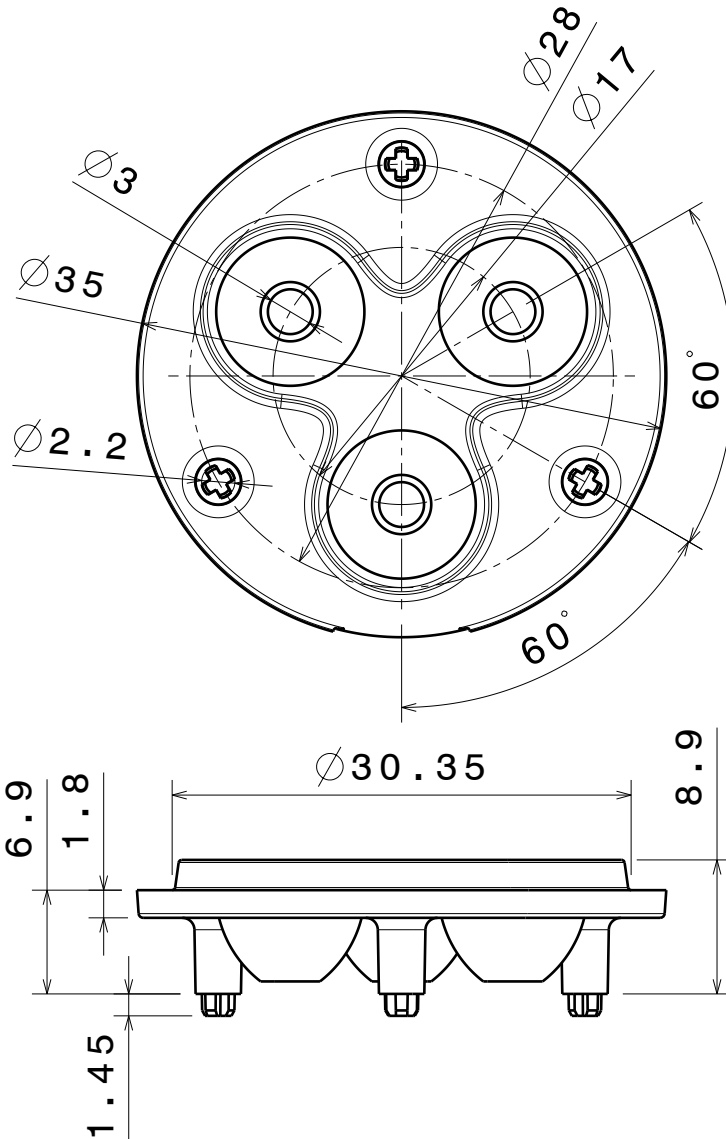


Isometric view  
Scale: 1:1

Material: PMMA

Part no.s:

- C10891\_GT3-XP-S
- C10891\_GT3-XP-G-S
- C10891\_GT3-OSL-S
- C10891\_GT3-DD-S
- C10891\_GT3-RE-ES-M
- C10891\_GT3-Z5-S
- C10892\_GT3-XP-M
- C10892\_GT3-XP-G-M
- C10892\_GT3-OSL-M
- C10892\_GT3-DD-M
- C10892\_GT3-XP-M
- C10892\_GT3-Z5-M
- C10893\_GT3-XP-W
- C10893\_GT3-XP-G-W
- C10893\_GT3-OSL-W
- C10893\_GT3-DD-W
- C10893\_GT3-RE-ES-W
- C11623\_GT3-RE-VW
- C11623\_GT3-N19-VW
- C11624\_GT3-XP-VW
- C11624\_GT3-XP-G-VW
- C11624\_GT3-OSL-VW
- C11624\_GT3-DD-VW
- C11624\_GT3-Z5-VW



Bottom view

Front view

This drawing is our property.  
It can't be reproduced  
or communicated without  
our written agreement.



L  
T  
F  
F

e  
e  
i  
i  
N  
n

DRAWING TITLE

Datasheet GT3-Series Lens

DRAWN BY p		DATE 08.01.2010		DRAWING TITLE Datasheet GT3-Series Lens			
CHECKED BY t k		DATE 07.01.2010		SIZE A4	DRAWING NUMBER -		REV 1
DESIGNED BY hh		DATE 07.01.2010		SCALE 2:1	WEIGHT (g)	SHEET 1/1	