

**Product number CP11956_EYA-S**

Family	Eya	FWHM	7 degrees
Type	Assembly	Efficiency	-
LED	Platinum Dragon	cd/lm	-
Color	Black	Gerber File	Available
Diameter	30.4 mm		
Height	29.1 mm		
Style	Round		
Optic Material	PMMA		
Holder Material	PC		
Fastening	Pin, glue		
Status	On production		

**Product number CP11337_EYA-O**

Family	Eya	FWHM	8+34 degrees
Type	Assembly	Efficiency	-
LED	Platinum Dragon	cd/lm	-
Color	Black	Gerber File	Available
Diameter	30.4 mm		
Height	29.1 mm		
Style	Round		
Optic Material	PMMA		
Holder Material	PC		
Fastening	Pin, glue		
Status	On production		

NOTE: The typical divergence will be changed by different color, chip size and chip position tolerance. The typical total divergence is the full angle measured where the luminous intensity is half of the peak value.



PRODUCT DATASHEET

Eya series

last update 14/11/2012

GENERAL INFORMATION

- Product series especially designed & optimized for Platinum Dragon series of LEDs.
- Special care taken to make light distribution as uniform as possible.
- Lens material optical grade PMMA with high UV and temperature resistance. Allows use of high current and temperature conditions.

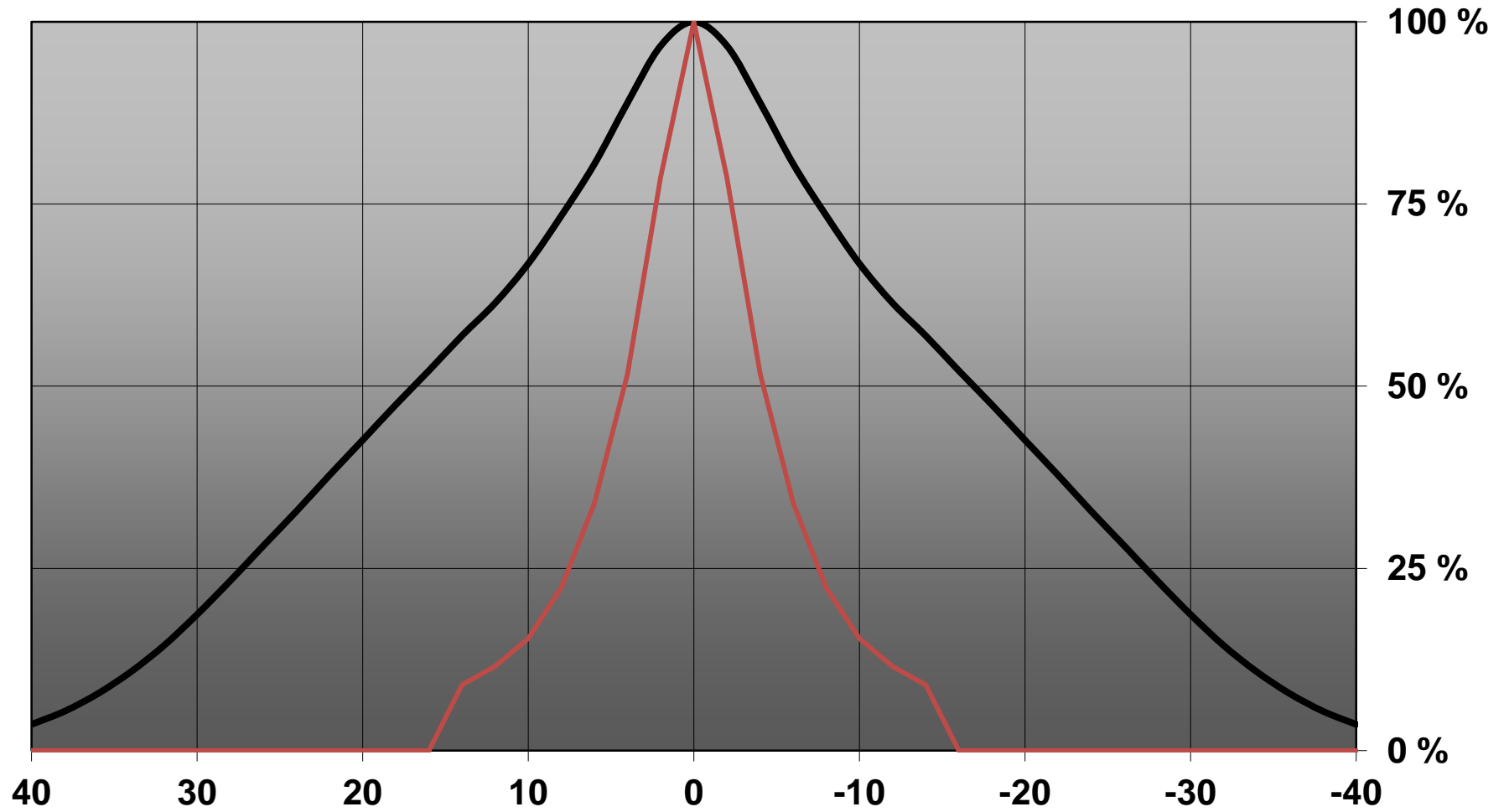
Please find more information about used material from below:

http://ledil.fi/sites/default/files/Documents/Technical/Material/PMMA%20N%20UL94_Yellow%20Card.pdf

<http://ledil.fi/sites/default/files/Documents/Technical/Material/PMMA%20N%20PLEXIGLAS-Datasheet.pdf>

- Optic holder molded by high quality PC material (120 degrees of Celcius / 248 degrees of Fahrenheit).

Relative intensity of CA11337_Eya-O



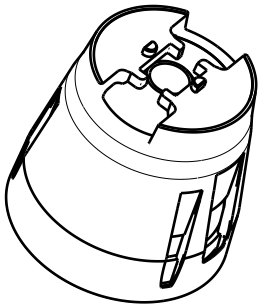
D

C

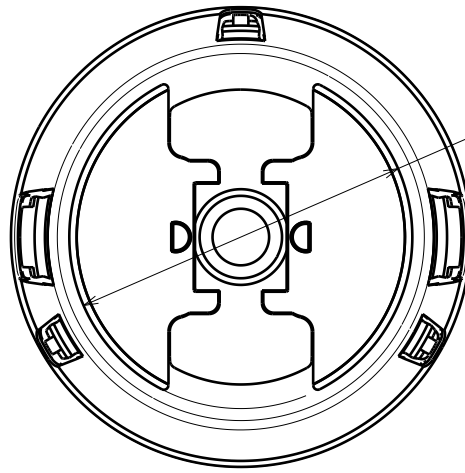
B

A

4



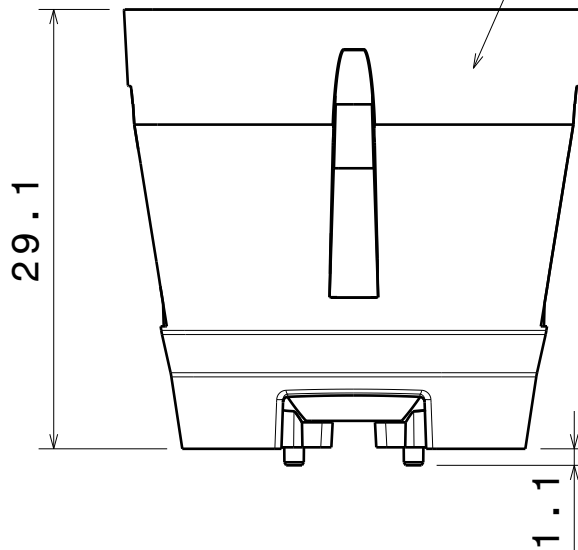
Isometric view



Bottom view

Holder

3

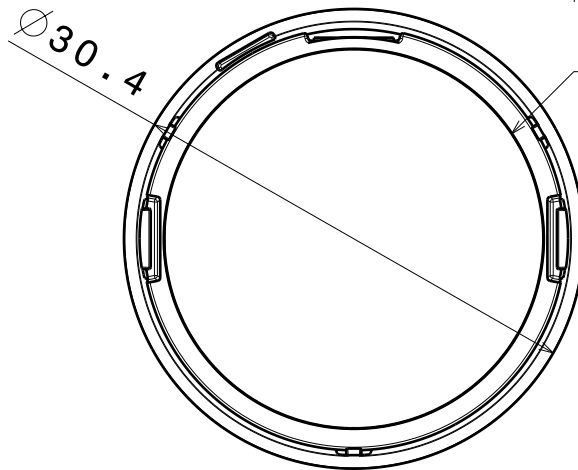


Front view

2

Part no.s:
 CA11337_Eya-0
 CA11956_Eya-S

Materials:
 Lens PMMA
 Holder PC, Black



Lens

Top view

This drawing is our property.
 It can't be reproduced
 or communicated without
 our written agreement.



L
T
F
F

e
e
i
i
N
n

d
h

DRAWING TITLE

Datasheet Eya series assy

1

DRAWN BY	DATE
p v	29.03.2011

CHECKED BY	DATE
p	29.03.2011

DESIGNED BY	DATE
pv	17.02.2011

SIZE	DRAWING NUMBER	REV
A4	-	1.0
SCALE	2:1	WEIGHT (g)
		SHEET 1/1

1

D

A