

**Product number C11520_NIS83-MX-7-M**

Family	Tampa	FWHM	(simulated) 20
Type	Lens array	Efficiency	89 %
LED	MX-6	cd/lm	(simulated) 0.000
Color	Clear	Gerber File	Available
Diameter	38 mm		
Height	11.4 mm		
Style	Round		
Optic Material	PMMA		
Holder Material	-		
Fastening	Pin, glue		
Status	On production		

**Product number C11521_NIS83-MX-7-MD**

Family	Tampa	FWHM	(simulated) 26
Type	Lens array	Efficiency	-
LED	MX-6	cd/lm	(simulated) 0.000
Color	Clear	Gerber File	Available
Diameter	38 mm		
Height	11.4 mm		
Style	Round		
Optic Material	PMMA		
Holder Material	-		
Fastening	Pin, glue		
Status	On production		

**Product number C10373_NIS83-MX-7-M**

Family	Tampa	FWHM	20 degrees
Type	Lens array	Efficiency	-
LED	MX-6	cd/lm	-
Color	Clear	Gerber File	Available
Diameter	38 mm		
Height	11.4 mm		
Style	Round		
Optic Material	PMMA		
Holder Material	-		
Fastening	Pin, glue		
Status	On production		

**Product number C10633_NIS83-MX-7-MD**

Family	Tampa	FWHM	26 degrees
Type	Lens array	Efficiency	-
LED	MX-6	cd/lm	-
Color	Clear	Gerber File	Available
Diameter	38 mm		
Height	11.4 mm		
Style	Round		
Optic Material	PMMA		
Holder Material	-		
Fastening	Pin, glue		
Status	On production		

**Product number C10585_NIS83-MX-7-W**

Family	Tampa	FWHM	36 degrees
Type	Lens array	Efficiency	-
LED	MX-6	cd/lm	-
Color	Clear	Gerber File	Available
Diameter	38 mm		
Height	11.4 mm		
Style	Round		
Optic Material	PMMA		
Holder Material	-		
Fastening	Pin, glue		
Status	On production		

Product number C10586_NIS83-MX-7-WW

Family	Tampa	FWHM	54 degrees
Type	Lens array	Efficiency	-
LED	MX-6	cd/lm	-
Color	Clear	Gerber File	Available
Diameter	38 mm		
Height	11.4 mm		
Style	Round		
Optic Material	PMMA		
Holder Material	-		
Fastening	Pin, glue		
Status	On production		

NOTE: The typical divergence will be changed by different color, chip size and chip position tolerance. The typical total divergence is the full angle measured where the luminous intensity is half of the peak value.



PRODUCT DATASHEET

Tampa series

last update 27/6/2012

GENERAL INFORMATION

- Product series especially designed & optimized for MX-6 series of LEDs.
- Special care taken to make light distribution as uniform as possible.
- Lens material optical grade PMMA with high UV and temperature resistance. Allows use of high current and temperature conditions.

Please find more information about used material from below:

http://ledil.fi/sites/default/files/Documents/Technical/Material/PMMA%20N%20UL94_Yellow%20Card.pdf

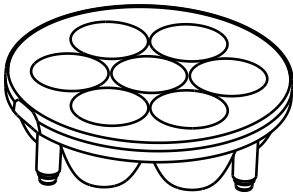
<http://ledil.fi/sites/default/files/Documents/Technical/Material/PMMA%20N%20PLEXIGLAS-Datasheet.pdf>

D

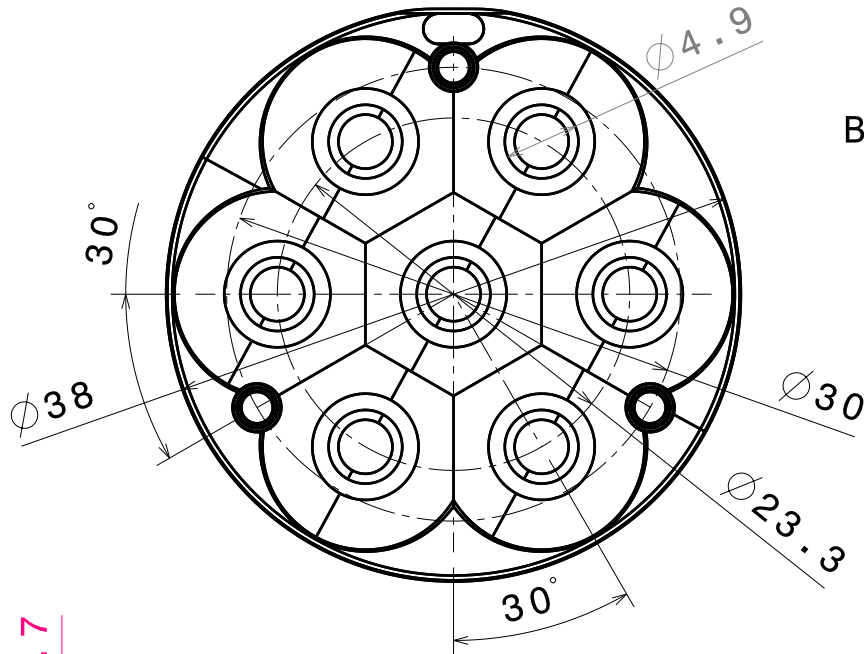
C

B

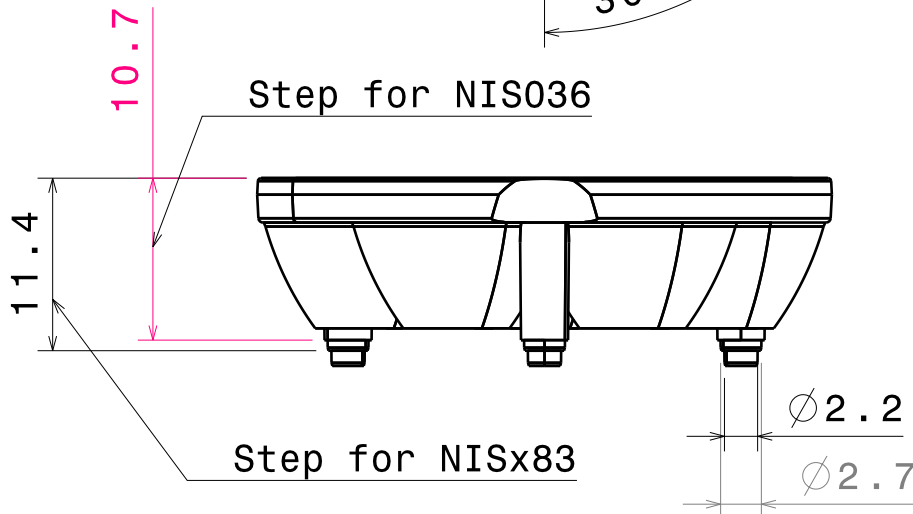
A



Isometric view



Bottom view



Front view

Material: PMMA

This drawing is our property.
It can't be reproduced
or communicated without
our written agreement.

Ledil Oy
Tehdaskatu 13
FIN-24100 SALO
Finland

DRAWING TITLE

Datasheet NIS-7-WW Lens

DRAWN BY

pv

DATE

17.11.2009

CHECKED BY

tk

DATE

20.12.2008

SIZE

A4

DRAWING NUMBER

C10586

REV

1

DESIGNED BY

hh

DATE

20.12.2008

SCALE

2:1

WEIGHT (g)

SHEET

1/1

D

A