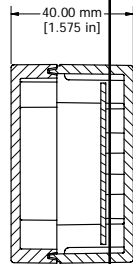
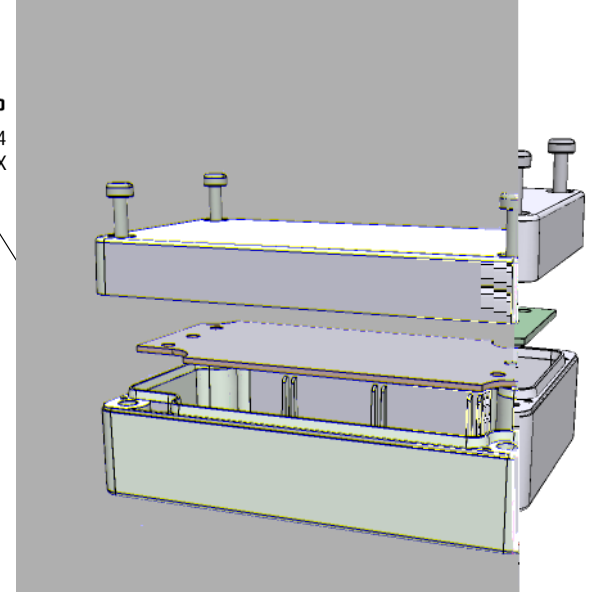


ASSEMBLY

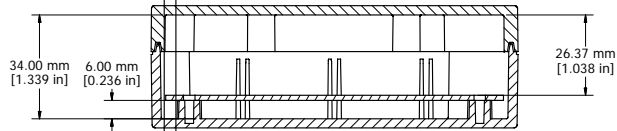


SECTION A-A

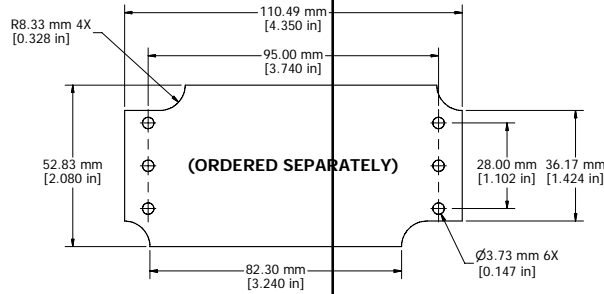
UL US LISTED
File #E65324
NEMA 4, 4X



Enclosures can be Factory Modified (Milling, Drilling, Printing etc.)
Solid models of this enclosure available in STEP or IGES.
Contact Factory mjm@hammondmfg.com

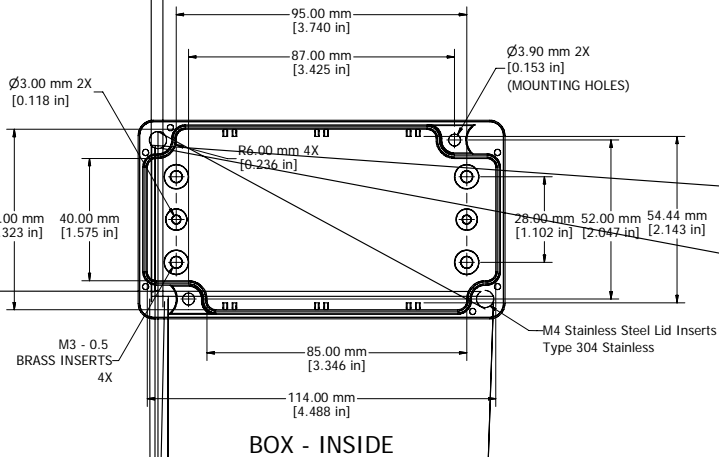


SECTION B-B

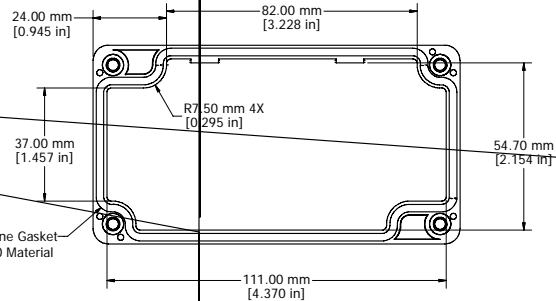


STEEL INNER PANEL

NOTE
Purchased assembly includes box, lid, and 4 cover screws
Recommended Cover screw torque -- 2.5 lbf-in (30 cN-m)
Polycarbonate version is UL 508 approved Mat'l UL94 - V0 / 5VA @ 3mm



BOX - INSIDE



LID - INSIDE

1554C	
1554C Regular Enclosure	
General Purpose ABS RAL-7035	1554CGY
Polycarbonate RAL-7035	1554C2GY
1554C Clear / Smoke Lid Enclosure	
Polycarbonate Box / Clear Polycarbonate Lid	1554C2GYCL
Polycarbonate Box / Smoke Polycarbonate Lid	1554C2GYCL
ACCESSORIES	
Heavy Duty 16 Gauge Galvanized Steel Panels	1554CPL
Steel Panel / P.C. Board Machine Screw [M3 x 8mm Nickel plated]	1591MM100
Steel Panel / P.C. Board Self Tapping Screw [#6 X 1/4" (6.4mm) Nickel Plated]	1598ATS100
Cover Screws (Pkg 4) [M4 X 20mm Type 304 Stainless Steel]	SC1554

HAMMOND MANUFACTURING™
1554C
www.hammondmfg.com