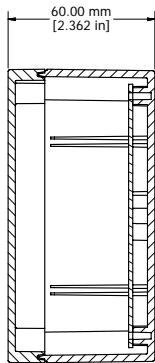
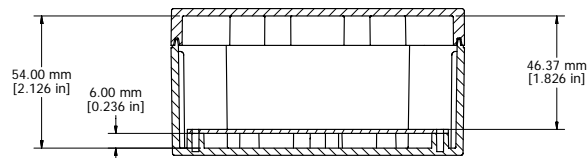


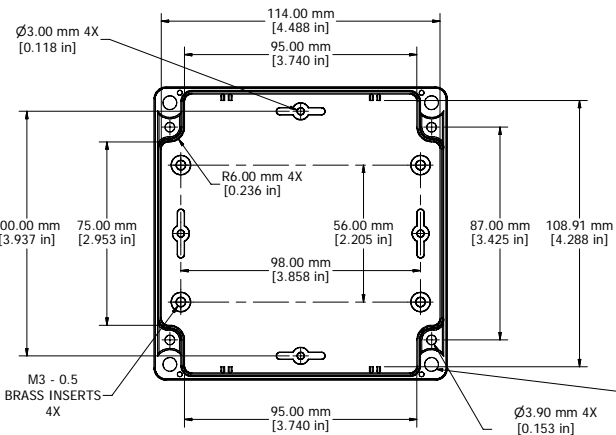
ASSEMBLY



SECTION A-A



SECTION B-B



BOX - INSIDE

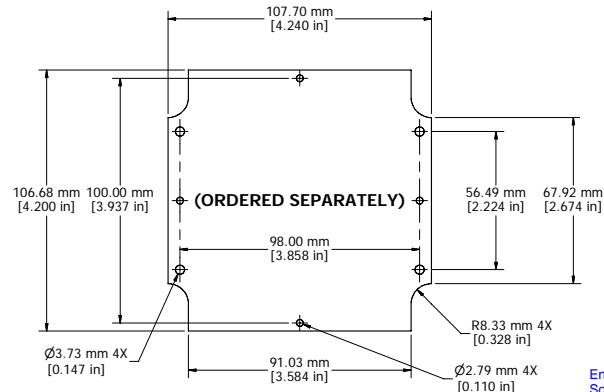
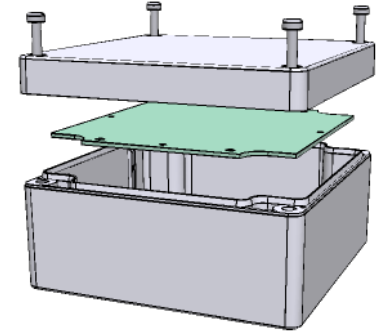
Ø3.00 mm 4X [0.118 in]
M3 - 0.5 BRASS INSERTS - 4X

R6.00 mm 4X [0.236 in]

Ø3.90 mm 4X [0.153 in] (MOUNTING HOLES)

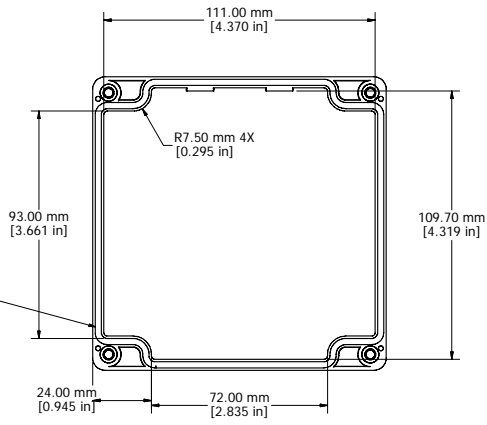
Poured Silicone Gasket
Loctite 5950 Material
M4 Stainless Steel Lid Inserts
Type 304 Stainless

UL US LISTED
File #E65324
NEMA 4, 4X



STEEL INNER PANEL

(ORDERED SEPARATELY)



LID - INSIDE

Enclosures can be Factory Modified (Milling, Drilling, Printing etc.)
Solid models of this enclosure available in STEP or IGES.
Contact Factory mjm@hammondmfg.com

NOTE	
Purchased assembly includes box, lid, and 4 cover screws	
Recommended Cover screw torque -- 2.5 lbf-in (30 cN-m)	
Polycarbonate version is UL 508 approved Mat'l UL94 - V0 / 5VA @ 3mm	

1554N	
1554N Regular Enclosure	
General Purpose ABS RAL-7035	1554NGY
Polycarbonate RAL-7035	1554N2GY
1554N Clear / Smoke Lid Enclosure	
Polycarbonate Box / Clear Polycarbonate Lid	1554N2GYCL
Polycarbonate Box / Smoke Polycarbonate Lid	1554N2GYCL
ACCESSORIES	
Heavy Duty 16 Gauge Galvanized Steel Panels	1554NPL
Steel Panel / P.C. Board Machine Screw [M3 x 8mm Nickel Plated]	1591MM100
Steel Panel / P.C. Board Self Tapping Screw [#6 X 1/4" (6.4mm) Nickel Plated]	1598ATS100
Cover Screws (Pkg 4) [M4 X 20mm Type 304 Stainless Steel]	SC1554

HAMMOND MANUFACTURING™
1554N
www.hammondmfg.com