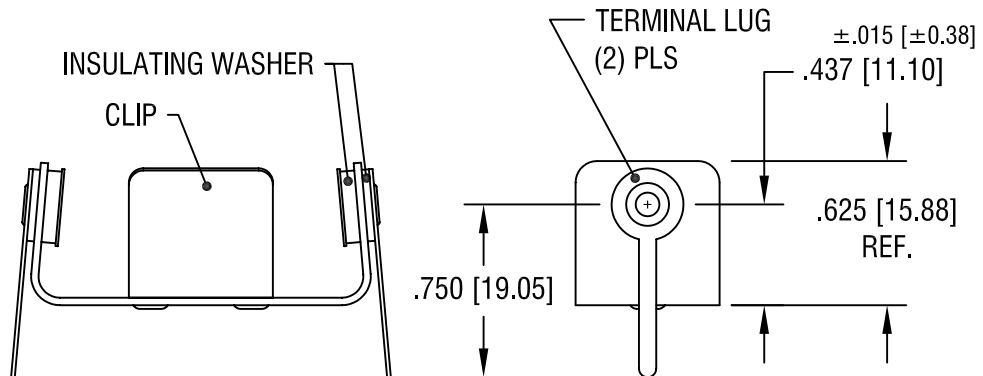
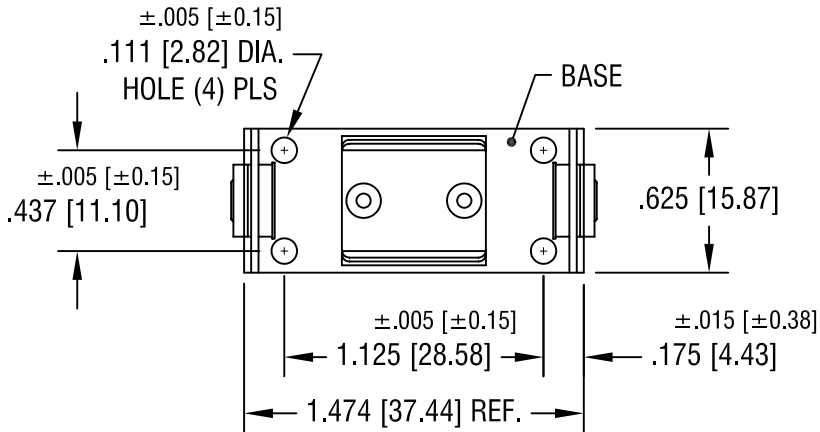
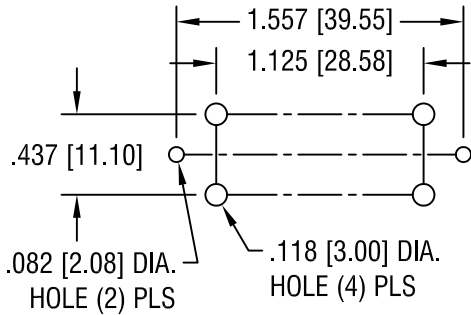


THIS DOCUMENT IS THE PROPERTY OF KEYSTONE ELECTRONICS CORP. AND SHALL NOT BE REPRODUCED, DISTRIBUTED OR USED AS A BASIS FOR MANUFACTURE WITHOUT PRIOR WRITTEN PERMISSION FROM KEYSTONE ELECTRONICS CORP.

MOUNTING DETAIL



NOTES:

- 1. BASE: MAT'L - .032 [.81] TH'K ALUMINUM
- CLIP: MAT'L - .020 [.50] TH'K ALUMINUM
- TERMINAL LUG: MAT'L - .020 [.50] TH'K BRASS
- FINISH - TIN PLATE

KEYSTONE ELECTRONICS CORP.

ASTORIA, N.Y. 11105-2017

PART NAME				BATTERY HOLDER, PC '2/3 A'	
MATERIAL				AS NOTED	
FINISH		DRN BY	BOONE	DATE	6.7.83
AS NOTED		APP'D	LN	SCALE	1.2X
TOLERANCES	INCH [MM]	CODE	DWG NO.		
DECIMAL	± .010 [± 0.25]	C/M	131		
ANGULAR	± 1°				
UNLESS OTHERWISE SPECIFIED					

3.12.07	CHANGE AS PER ECN 07-013	D
DATE	DESCRIPTION	REV.