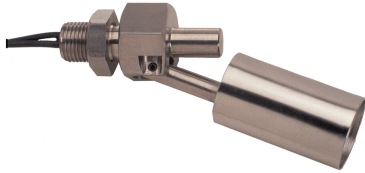




SSF213 Series

Miniature internal fitting horizontal switch



- Short reach, miniature switch
- Internal mount via 1/8" BSP
- Stainless steel 304
- User configurable N/O (make on rise) or N/C (make on fall)
- Signal switching only

Technical Specification

Mounting style	Internal	Cable length - standard	50cm
Mounting thread	1/8" BSP	Cable size	17/0.10 - AWG22
Float & Stem material	304 grade SS	Cable conductor material	Tinned copper
Maximum Temperature	120°C	Cable sheath material	XLPE
Maximum pressure	5 bar	Cable temperature rating	125°C
Float SG	0.7	Sealing gasket	Not supplied
Minimum fluid SG	0.8	Tightening torque for fixing nut	2.0kg/cm

Electrical Specification

Contact Form		N/O (N/C)
Switching Power Max	VA	1
Switching Voltage AC Max	V	24
Switching Voltage DC Max	V	24
Switching Current Max	A	0.1

All ratings are for resistive load only.

Standard Parts

Standard Parts	Material	Max Power	Leadouts
SSF213T050	SS 304	1VA	50cm XLPE 17/0.1

Custom versions can be made for particular applications. Please contact Cynergy3 with your requirements.

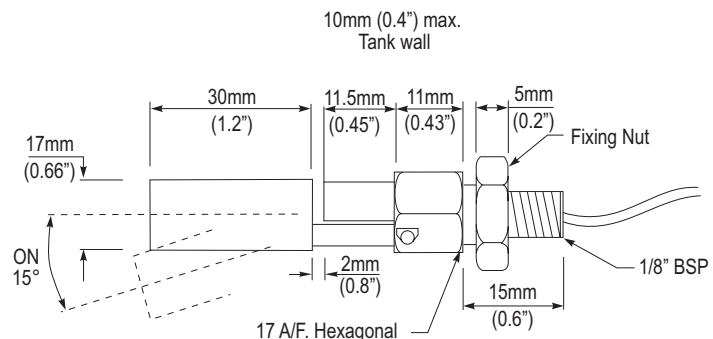
The SSF213 is a miniature horizontally mounted switch that is fitted internally in the side of the tank, so requires access to the inside of the tank.

The total length inside the tank is 54.5mm

The device is manufactured in SS 304 and will work in liquids of SG 0.8 minimum.

The switch action can be reversed by mounting the device with the float able to move upwards away from the body, instead of the more normal downwards direction.

Mechanical Dimensions



Cynergy3 Components Ltd.
 7 Cobham Road
 Ferndown Industrial Estate
 Wimborne, Dorset BH21 7PE
 Telephone +44 (0) 1202 897969

Email: sales@cynergy3.com

ISO9001 CERTIFIED

www.cynergy3.com