



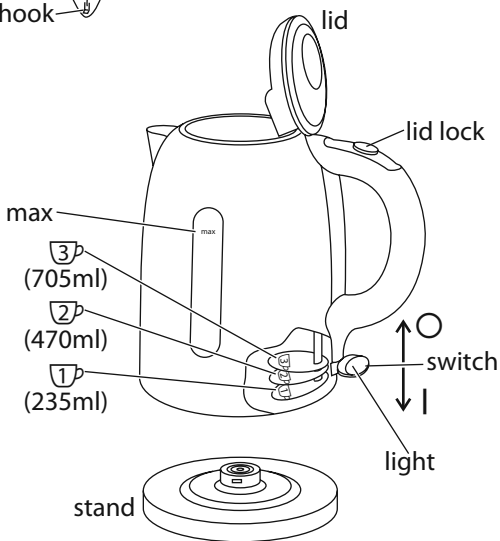
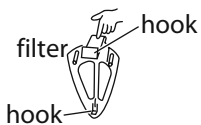
Russell Hobbs



instructions

£10,000 prize draw
EXTRA year guarantee
FREE rewards gallery

www.productregister.co.uk/rhobbs
Register online now!
See back for details




Read the instructions, keep them safe, pass them on if you pass the kettle on.

Remove all packaging before use.



IMPORTANT SAFEGUARDS

Follow basic safety precautions, including:

- 1 This appliance can be used by children aged from 8 years and above and persons with reduced physical, sensory or mental capabilities or lack of experience and knowledge if they have been supervised/ instructed and understand the hazards involved.
 - 2 Children shall not play with the appliance.
 - 3 Cleaning and user maintenance shall not be done by children unless they are older than 8 and supervised.
 - 4 Keep the appliance and cable out of reach of children under 8 years.
 - 5 Don't fill above max, or the kettle may spit boiling water.
 - 6 Use the kettle only with the stand supplied (and vice versa).
 - 7 If the cable is damaged, return the kettle, to avoid hazard.
-  The surfaces of the appliance will get hot.

- ⊘ Don't put the kettle, stand, cable, or plug in liquid.
- 8 Keep the kettle, stand, and cable away from the edges of worktops.
- 9 Unplug the stand when not in use.
- 10 Don't use the kettle without fitting the filter.
- 11 Use the kettle only for heating water.
- 12 Don't use it if it's damaged or malfunctions.

household use only



BEFORE FIRST USE

- Fill to max, boil, discard the water, and rinse.



FILLING

- 1 Put the stand on a stable, level surface.
- 2 Wind excess cable beneath the stand.
- 3 Press the lid lock to open the lid.
- 4 Fill with at least 1 cup of water, but not above max.
- 5 If you want only 1, 2, or 3 cups of water, fill to the 1, 2, or 3 marks inside the kettle.
- 6 Close the lid, and press down to lock it.



SWITCHING ON

- 7 Plug the stand into the wall socket.
- 8 Put the kettle on the stand.
- 9 Move the switch to | – the light will glow.



SWITCHING OFF

- 10 When it boils, the kettle will switch off.
- 11 To switch off manually, move the switch to ○, or simply lift the kettle off the stand.



GENERAL

- 12 Pour slowly and don't over-tilt the kettle.
- 13 Don't tilt the kettle backwards, water might get on to the control area.
- 14 If this happens, sit the kettle somewhere warm for 12 hours to dry before using it.
- 15 Don't worry about moisture on the stand. The steam used to switch the kettle off is condensed and vented under the kettle.

16 Don't worry about discolouration on the floor of the kettle. It's due to the bonding of the element to the kettle floor.

USING WITH INSUFFICIENT WATER

17 This will shorten the life of the element. A boil-dry cut-out will switch the kettle off.

18 To avoid cycling on and off, take it off the stand, and leave it to go completely cold.

CARE AND MAINTENANCE

19 Unplug the stand, and let the kettle cool.

20 Wipe inside and outside with a damp cloth.

21 Push the hook on top of the filter down, then lift the filter out of the kettle.

22 Brush the filter under a running tap.


23 From inside the kettle, fit the bottom hook on the filter in the bottom of the spout.


24 Press the top of the filter towards the spout, to lock the upper hook in place.

Descale regularly, at least monthly.

25 Descale the appliance at least monthly with a proprietary descaler.

26 Follow the instructions on the package of descaler.

 Products returned under guarantee with faults due to scale will incur a repair charge.

 **Russell Hobbs** descaler, specially formulated to work with our products, is available from Customer Service (back page).



ENVIRONMENTAL PROTECTION

To avoid environmental and health problems due to hazardous substances in electrical and electronic goods, appliances marked with this symbol mustn't be disposed of with unsorted municipal waste, but recovered, reused, or recycled.



CUSTOMER SERVICE

If you ring, have the Model No. to hand, as we won't be able to help without it. It's on the rating plate (usually underneath the product). The product isn't user-serviceable. If it isn't working, read the instructions, check the plug fuse and main fuse/circuit breaker. If it's still not working, consult your retailer.

If that doesn't solve the problem, ring Customer Service for advice. If they tell you to return the product to us, pack it carefully, include a note with your name, address, day phone number, and what's wrong. If under guarantee, say where and when purchased, and include proof of purchase (till receipt). Send it to:

Customer Service, Spectrum Brands (UK) Ltd, Fir Street, Failsworth, Manchester M35 0HS

email: support@russellhobbs.com

telephone: 0845 658 9700 (local rate number)



GUARANTEE

Defects affecting product functionality appearing within two years of first retail purchase will be corrected by replacement or repair provided the product is used and maintained in accordance with the instructions. Your statutory rights are not affected. Documentation, packaging, and product specifications may change without notice.



ONLINE

www.russellhobbs.co.uk for more products



REGISTER ONLINE FOR –

£10,000 prize draw, EXTRA year guarantee, FREE rewards gallery

Visit www.productregister.co.uk/rhobbs

You must register within 28 days of purchase.



T22-5000712

552-372 M