

STRUCTURE Silicon Monolithic Integrated Circuit

TYPE Three-Terminal Regulator

PRODUCT SERIES **BA178XXCP**

FEATURE Output current up to 1A

○ABSOLUTE MAXIMUM RATING (Ta=25°C)

Parameter	Symbol	Limit	Unit
Input Voltage	Vin	35	V
Power Dissipation 1	Pd1	2 ^{*1}	W
Power Dissipation 2	Pd2	22 ^{*2}	W
Output Current	Iout	1 ^{*3}	A
Operating Temperature Range	Topr	-40~+85	°C
Storage Temperature Range	Tstg	-55~+150	°C
Maximum Junction Temperature	Tjmax	150	°C

*1 Derating in done 16mW/°C for temperatures above Ta=25°C.

*2 Derating in done 176mW/°C for temperatures above Ta=25°C, Mounted on infinity Aluminium heat sink.

*3 Pd, ASO should not be exceeded.

○RECOMMENDED OPERATING CONDITIONS (Ta=-40~+85°C)

Parameter	Symbol	Type	Min	Max	Unit
Input Voltage	Vin	BA17805CP	7.5	25	V
		BA17806CP	8.5	21	
		BA17807CP	9.5	22	
		BA17808CP	10.5	23	
		BA17809CP	11.5	26	
		BA17810CP	12.5	25	
		BA17812CP	15	27	
		BA17815CP	17.5	30	
		BA17818CP	21	33	
		BA17820CP	23	33	
		BA17824CP	27	33	
Output Current	Io	Common	—	1 ^{*3}	A

The product described in this specification is a strategic product (and/or Service) subject to COCOM regulations.

It should not be exported without Authorization from the appropriate government.

This product is not designed for protection against radioactive rays.

Status of this document

The Japanese version of this document is the formal specification. A customer may use this translation version only for a reference to help reading the formal version. If there are any differences in translation version of this document, formal version takes priority.

○ELECTRICAL CHARACTERISTICS

(Unless otherwise specified, $T_a=25^{\circ}\text{C}$, $V_{in}=10\text{V}(05), 11\text{V}(06), 13\text{V}(07), 14\text{V}(08), 15\text{V}(09), 16\text{V}(10), 19\text{V}(12), 23\text{V}(15), 27\text{V}(18), 29\text{V}(20), 33\text{V}(24)$, $I_o=500\text{mA}$)

Parameter	Symbol	Type	Limit			Unit	Condition
			Min.	Typ.	Max.		
Output Voltage1	Vo1	05	4.8	5.0	5.2	V	$I_o=500\text{mA}$
		06	5.75	6.0	6.25		
		07	6.7	7.0	7.3		
		08	7.7	8.0	8.3		
		09	8.6	9.0	9.4		
		10	9.6	10.0	10.4		
		12	11.5	12.0	12.5		
		15	14.4	15.0	15.6		
		18	17.3	18.0	18.7		
		20	19.2	20.0	20.8		
24	23.0	24.0	25.0				
Output Voltage2	Vo2	05	4.75	—	5.25	V	Vin=7.5~20V, $I_o=5\text{mA}\sim 1\text{A}$
		06	5.7	—	6.3		Vin=8.5~21V, $I_o=5\text{mA}\sim 1\text{A}$
		07	6.65	—	7.35		Vin=9.5~22V, $I_o=5\text{mA}\sim 1\text{A}$
		08	7.6	—	8.4		Vin=10.5~23V, $I_o=5\text{mA}\sim 1\text{A}$
		09	8.55	—	9.45		Vin=11.5~26V, $I_o=5\text{mA}\sim 1\text{A}$
		10	9.5	—	10.5		Vin=12.5~25V, $I_o=5\text{mA}\sim 1\text{A}$
		12	11.4	—	12.6		Vin=15~27V, $I_o=5\text{mA}\sim 1\text{A}$
		15	14.25	—	15.75		Vin=17.5~30V, $I_o=5\text{mA}\sim 1\text{A}$
		18	17.1	—	18.9		Vin=21~33V, $I_o=5\text{mA}\sim 1\text{A}$
		20	19.0	—	21.0		Vin=23~33V, $I_o=5\text{mA}\sim 1\text{A}$
24	22.8	—	25.2	Vin=27~33V, $I_o=5\text{mA}\sim 1\text{A}$			
Line Regulation1	Reg.11	05	—	3	100	mV	Vin=7~25V, $I_o=500\text{mA}$
		06	—	4	120		Vin=8~25V, $I_o=500\text{mA}$
		07	—	5	140		Vin=9~25V, $I_o=500\text{mA}$
		08	—	5	160		Vin=10.5~25V, $I_o=500\text{mA}$
		09	—	6	180		Vin=11.5~26V, $I_o=500\text{mA}$
		10	—	7	200		Vin=12.5~27V, $I_o=500\text{mA}$
		12	—	8	240		Vin=14.5~30V, $I_o=500\text{mA}$
		15	—	9	300		Vin=17.5~30V, $I_o=500\text{mA}$
		18	—	10	360		Vin=21~33V, $I_o=500\text{mA}$
		20	—	12	400		Vin=23~33V, $I_o=500\text{mA}$
24	—	15	480	Vin=27~33V, $I_o=500\text{mA}$			
Line Regulation2	Reg.12	05	—	1	50	mV	Vin=8~12V, $I_o=500\text{mA}$
		06	—	2	60		Vin=9~13V, $I_o=500\text{mA}$
		07	—	2	70		Vin=10~15V, $I_o=500\text{mA}$
		08	—	3	80		Vin=11~17V, $I_o=500\text{mA}$
		09	—	4	90		Vin=13~19V, $I_o=500\text{mA}$
		10	—	4	100		Vin=14~20V, $I_o=500\text{mA}$
		12	—	5	120		Vin=16~22V, $I_o=500\text{mA}$
		15	—	5	150		Vin=20~26V, $I_o=500\text{mA}$
		18	—	5	180		Vin=24~30V, $I_o=500\text{mA}$
		20	—	7	200		Vin=26~32V, $I_o=500\text{mA}$
24	—	10	240	Vin=30~33V, $I_o=500\text{mA}$			
Ripple Rejection	R.R.	05	62	78	—	dB	$e_{in}=1\text{V}_{rms}$, $f=120\text{Hz}$, $I_o=100\text{mA}$
		06	59	73	—		
		07	57	69	—		
		08	56	65	—		
		09	56	64	—		
		10	55	64	—		
		12	55	63	—		
		15	54	62	—		
		18	53	61	—		
		20	53	60	—		
24	50	58	—				
Temperature Coefficient of Output Voltage	Tcvo	05	—	-1.0	—	mV/°C	$I_o=5\text{mA}$, $T_j=0\sim 125^{\circ}\text{C}$
		06/07/08/09/10/12	—	-0.5	—		
		15/18	—	-0.6	—		
		20/24	—	-0.7	—		
Peak Output Current	I_{o-p}	Common	—	1.7	—	A	$T_j=25^{\circ}\text{C}$
	Symbol	Type	Limit			Unit	Condition

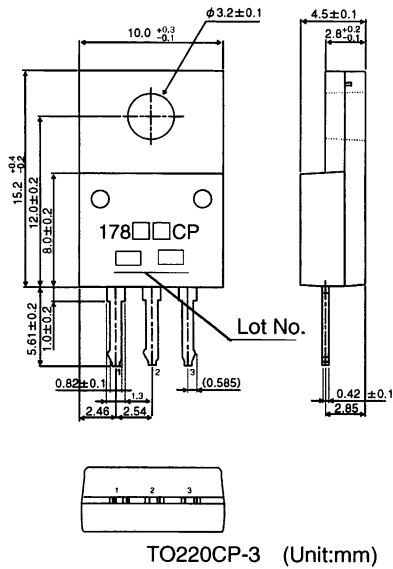
Parameter	Symbol	Type	Limit			Unit	Condition
			Min.	Typ.	Max.		
Load Regulation1	Reg.L1	05	—	16	120	mV	Io=5mA~1A
		06	—	17	140		
		07	—	19	160		
		08	—	20	180		
		09	—	21	200		
		10	—	23	200		
		12	—	27	300		
		15	—	30	360		
		18	—	32	400		
		20	—	37	480		
Load Regulation2	Reg.L2	05	—	5	50	mV	Io=250mA~750mA
		06	—	6	60		
		07	—	6	70		
		08	—	7	80		
		09	—	8	90		
		10	—	8	90		
		12	—	10	100		
		15	—	10	150		
		18	—	12	180		
		20	—	14	200		
Output Noise Voltage	Vn	05	—	40	—	μV	f=10Hz~100kHz
		06	—	60	—		
		07	—	70	—		
		08	—	80	—		
		09	—	90	—		
		10	—	100	—		
		12	—	110	—		
		15	—	125	—		
		18	—	140	—		
		20	—	150	—		
Dropout Voltage	Vd	Common	—	2.0	—	V	Io=1A
Bias Current	Ib	Common	—	4.5	8.0	mA	Io=0mA
Bias Current Change 1	Ib1	Common	—	—	0.5	mA	Io=5mA~1A
Bias Current Change 2	Ib2	05	—	—	0.8	mA	Vin:8~25V, Io=500mA
		06	—	—	0.8		Vin:8.5~25V, Io=500mA
		07	—	—	0.8		Vin:9.5~25V, Io=500mA
		08	—	—	0.8		Vin:10.5~25V, Io=500mA
		09	—	—	0.8		Vin:11.5~26V, Io=500mA
		10	—	—	0.8		Vin:12.5~27V, Io=500mA
		12	—	—	0.8		Vin:14.5~30V, Io=500mA
		15	—	—	0.8		Vin:17.5~30V, Io=500mA
		18	—	—	0.8		Vin:21~33V, Io=500mA
		20	—	—	0.8		Vin:23~33V, Io=500mA
Short-Circuit Output Current	Ios	05/06/07/08	—	0.6	—		Vin=25V
		09/10/12/15/18/20/24	—	0.3	—		Vin=30V
		05	—	9	—		
		06/07/08/09	—	10	—		
		10	—	11	—		
		12	—	12	—		
		15	—	14	—		
		18	—	17	—		
		20	—	19	—		
24	—	27	—				

○Output Voltage and Marking

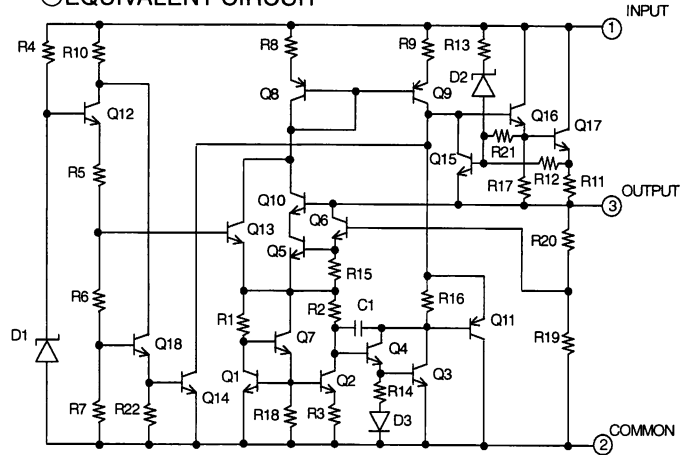
Type	Marking	Output Voltage(V)
BA17805CP	17805CP	5
BA17806CP	17806CP	6
BA17807CP	17807CP	7
BA17808CP	17808CP	8
BA17809CP	17809CP	9
BA17810CP	17810CP	10

Type	Marking	Output Voltage(V)
BA17812CP	17812CP	12
BA17815CP	17815CP	15
BA17818CP	17818CP	18
BA17820CP	17820CP	20
BA17824CP	17824CP	24

○ PHYSICAL DIMENTION



○ EQUIVALENT CIRCUIT



○ Pin number, Pin name

Pin number	Pin name
1	INPUT
2	COMMON
3	OUTPUT

○ NOTES FOR USE

- (1) Absolute maximum range
We are careful enough for quality control about this IC. So, there is no problem under normal operation, excluding that it exceeds the absolute maximum ratings. However, Absolute Maximum Ratings are those values beyond which the life of a device may be destroyed we cannot be defined the failure mode, such as short mode or open mode. Therefore physical security countermeasure, like fuse, is to be given when a specific mode to be beyond absolute maximum ratings is considered.
- (2) Ground voltage
Make setting of the potential of the GND terminal so that it will be maintained at the minimum in any operating state. Furthermore, check to be sure no terminals are at a potential lower than the GND voltage including an actual electric transient.
- (3) Thermal design
When you do the kind of use which exceeds Pd, It may be happened to deteriorating IC original quality such as decrease of electric current ability with chip temperature rise. Do not exceed the power dissipation (Pd) of the package specification rating under actual operation, and please design enough temperature margins.
- (4) Short circuit mode between terminals and wrong mounting
Do not mount the IC in the wrong direction and be careful about the reverse-connection of the power connector. Moreover, this IC might be destroyed when the dust short the terminals between them or GND.
- (5) Operation in the strong electromagnetic field
Malfunction may be happened when the device is used in the strong electromagnetic field.
- (6) ASO
Do not exceed the maximum ASO and the absolute maximum ratings of the output transistor.
- (7) Thermal shutdown circuit
The thermal shutdown circuit (TSD circuit) is built in this product. When IC chip temperature become higher, the thermal shutdown circuit operates and turns output off. The thermal shutdown circuit, which is aimed at isolating the LSI from thermal runaway as much as possible, is not aimed at the protection or guarantee of the LSI. Therefore, do not continuously use the LSI with this circuit operating or use the LSI assuming its operation.
- (8) GND wiring pattern
Use separate ground lines for control signals and high current power driver outputs. Because these high current outputs that flows to the wire impedance changes the GND voltage for control signal. Therefore, each ground terminal of IC must be connected at the one point on the set circuit board. As for GND of external parts, it is similar to the above-mentioned.
- (9) Internal circuits could be damaged if there are modes in which the electric potential of the application's input and GND are the opposite of the electric potential of the various outputs. Use of a diode or other such bypass is recommended.
- (10) We recommend to put Diode for protection purpose in case of output pin connected with large load of impedance or reserve current occurred at initial and output off.
- (11) Anti-oscillating capacitor of output and bypass capacitor Anti-oscillating capacitor has to be put between Output and GND.(more than 0.1 μF)
Tantalum capacitor is recommendable where capacitance value varied because of temperature change.
Also it is recommendable to put 0.33 μF bypass capacitor between Input and GND as close as possible to pin.

Notes

- No technical content pages of this document may be reproduced in any form or transmitted by any means without prior permission of ROHM CO.,LTD.
- The contents described herein are subject to change without notice. The specifications for the product described in this document are for reference only. Upon actual use, therefore, please request that specifications to be separately delivered.
- Application circuit diagrams and circuit constants contained herein are shown as examples of standard use and operation. Please pay careful attention to the peripheral conditions when designing circuits and deciding upon circuit constants in the set.
- Any data, including, but not limited to application circuit diagrams information, described herein are intended only as illustrations of such devices and not as the specifications for such devices. ROHM CO.,LTD. disclaims any warranty that any use of such devices shall be free from infringement of any third party's intellectual property rights or other proprietary rights, and further, assumes no liability of whatsoever nature in the event of any such infringement, or arising from or connected with or related to the use of such devices.
- Upon the sale of any such devices, other than for buyer's right to use such devices itself, resell or otherwise dispose of the same, no express or implied right or license to practice or commercially exploit any intellectual property rights or other proprietary rights owned or controlled by
- ROHM CO., LTD. is granted to any such buyer.
- Products listed in this document are no antiradiation design.

The products listed in this document are designed to be used with ordinary electronic equipment or devices (such as audio visual equipment, office-automation equipment, communications devices, electrical appliances and electronic toys).

Should you intend to use these products with equipment or devices which require an extremely high level of reliability and the malfunction of which would directly endanger human life (such as medical instruments, transportation equipment, aerospace machinery, nuclear-reactor controllers, fuel controllers and other safety devices), please be sure to consult with our sales representative in advance.

About Export Control Order in Japan

Products described herein are the objects of controlled goods in Annex 1 (Item 16) of Export Trade Control Order in Japan.

In case of export from Japan, please confirm if it applies to "objective" criteria or an "informed" (by MITI clause) on the basis of "catch all controls for Non-Proliferation of Weapons of Mass Destruction.

Thank you for your accessing to ROHM product informations.
More detail product informations and catalogs are available,
please contact your nearest sales office.

Please contact our sales offices for details ;

U.S.A / San Diego	TEL : +1(858)625-3630	FAX : +1(858)625-3670
Atlanta	TEL : +1(770)754-5972	FAX : +1(770)754-0691
Dallas	TEL : +1(972)312-8818	FAX : +1(972)312-0330
Germany / Dusseldorf	TEL : +49(2154)9210	FAX : +49(2154)921400
United Kingdom / London	TEL : +44(1)908-282-666	FAX : +44(1)908-282-528
France / Paris	TEL : +33(0)1 56 97 30 60	FAX : +33(0) 1 56 97 30 80
China / Hong Kong	TEL : +852(2)740-6262	FAX : +852(2)375-8971
Shanghai	TEL : +86(21)6279-2727	FAX : +86(21)6247-2066
Dilian	TEL : +86(411)8230-8549	FAX : +86(411)8230-8537
Beijing	TEL : +86(10)8525-2483	FAX : +86(10)8525-2489
Taiwan / Taipei	TEL : +866(2)2500-6956	FAX : +866(2)2503-2869
Korea / Seoul	TEL : +82(2)8182-700	FAX : +82(2)8182-715
Singapore	TEL : +65-6332-2322	FAX : +65-6332-5662
Malaysia / Kuala Lumpur	TEL : +60(3)7958-8355	FAX : +60(3)7958-8377
Philippines / Manila	TEL : +63(2)807-6872	FAX : +63(2)809-1422
Thailand / Bangkok	TEL : +66(2)254-4890	FAX : +66(2)256-6334

Japan /
(Internal Sales)

Tokyo	2-1-1, Yaesu, Chuo-ku, Tokyo 104-0082	TEL : +81(3)5203-0321	FAX : +81(3)5203-0300
Yokohama	2-4-8, Shin Yokohama, Kohoku-ku, Yokohama, Kanagawa 222-8575	TEL : +81(45)476-2131	FAX : +81(45)476-2128
Nagoya	Dainagayo Building 9F 3-28-12, Meieki, Nakamura-ku, Nagoya, Aichi 450-0002	TEL : +81(52)581-8521	FAX : +81(52)561-2173
Kyoto	579-32 Higashi Shiokouji-cho, Karasuma Nishi-iru, Shiokoujidori, Shimogyo-ku, Kyoto 600-8216	TEL : +81(75)311-2121	FAX : +81(75)314-6559

(Contact address for overseas customers in Japan)

Yokohama	TEL : +81(45)476-9270	FAX : +81(045)476-9271
----------	-----------------------	------------------------