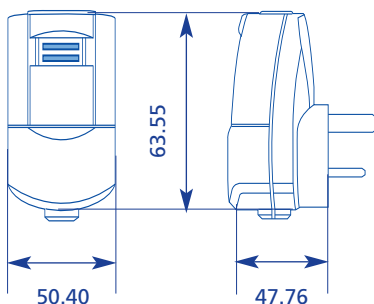


# RCD Safety Plug

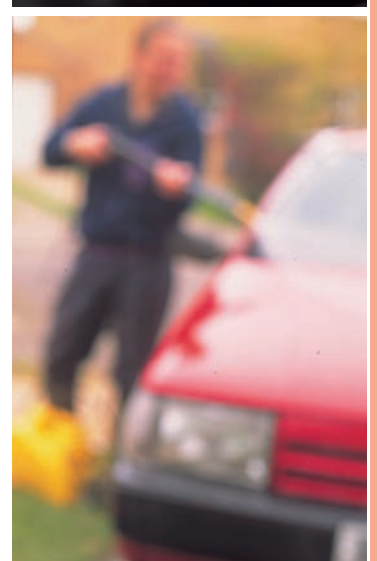
Conforms to BS7071

The PowerBreaker J72 RCD Safety Plug conforms to BS7071 and gives added protection against electrocution when used with electrical appliances and equipment. It is a 13 amp plug which provides double pole protection from earth leakage current and simply wires as a three pin plug. The unit provides automatic switch off, on loss of supply voltage. Ideal for portable electrical appliances and suitable for use on the supply end of extension lead cables.

- Compact design
- Robust construction to withstand arduous environments
- Easy to operate and test
- Easy to wire
- Fits a standard 13 amp BS1363 socket outlet



J72G



Cat no.	Description
J72G-C	RCD Safety Plug 30mA -Electrically latched. Grey polycarbonate casing

## TECHNICAL DATA

Rated Voltage:	230V AC~50Hz
Maximum operating current:	13A Resistive 3A Inductive
Rated Trip Current:	30mA
Maximum load:	3kW
Trip speed:	40mS (typical)
Maximum external cable diameter:	10mm
Maximum conductor size:	1.5mm <sup>2</sup>
Fuse rating:	13A (BS1362)
Electrical latching (Active)	
RCD Contact break:	Double Pole
Tripped indication:	Mechanical flag